



## CMA-180-VL

High Temperature  
3- Door Single Rack  
Dishwasher



New  
"Ventless"  
Heat  
Recovery and  
Condensation  
Removal  
Option

### Features:

- **Replaces need for independent vent hood.**
- Final rinse valve receives cold water (41-65°F) that is processed through "heat recovery system", providing nearly cost free heating capabilities for water supplied to the booster heater, which reduces the recovery time for the booster heater.
- Heat recovery system captures water vapor from the wash & rinse cycle, and condenses it to heat the incoming cold water & evacuate the steam from the wash chamber.
- Door-actuated start.
- Safe-T-Temp feature assures 180°F sanitizing rinse every cycle.
- 12kW electrical booster heater.
- Booster-safety thermostat.
- 6kW wash tank heater.
- Low max. 0.89 US gallons of water usage per rack.
- Minimum 90-second cycle. (60 second wash/rinse & 30 second steam evacuation)
- 40 racks per hour (based on 90-second cycle).
- Fully automatic cycle for easy operation.
- Water level safety control.
- Maximum clearance for dishes is 17-1/2".
- All Stainless Steel construction.
- Wash tank screens, which filter recirculating wash water, prevent soil from entering spray arms.
- 3-door feature for straight or corner applications.
- Automatic heat exchange condenser wash-down feature.
- Rinse PRV supplied (Pressure Regulating Valve).
- Field convertible from three phase to single phase.
- Simple, rugged durability that you expect from CMA.
- Door Safety Interlock System (DSI) assures that doors remain locked throughout the entire cycle, allowing the HR system to evacuate the vapor from the machine.

### Available Options:

- Alternative electrical available for export
- Stainless steel dishtables
- Dual power supply connections

### The "Ventless" option is a Heat Recovery Condensation Removal System:

Captures and distributes normally exhausted heat from the wash/rinse tank, using this FREE energy to pre-heat cold water prior to feeding the booster heater. Water entering the booster heater has been pre-heated, reducing the energy cost to bring booster temperature to required 180 degrees, potentially saving THOUSANDS of \$ in operational costs.

**NO VENT HOOD REQUIRED: Saves THOUSANDS \$ on installation.**

**CMA  
MIZER®**  
Registered Trademark



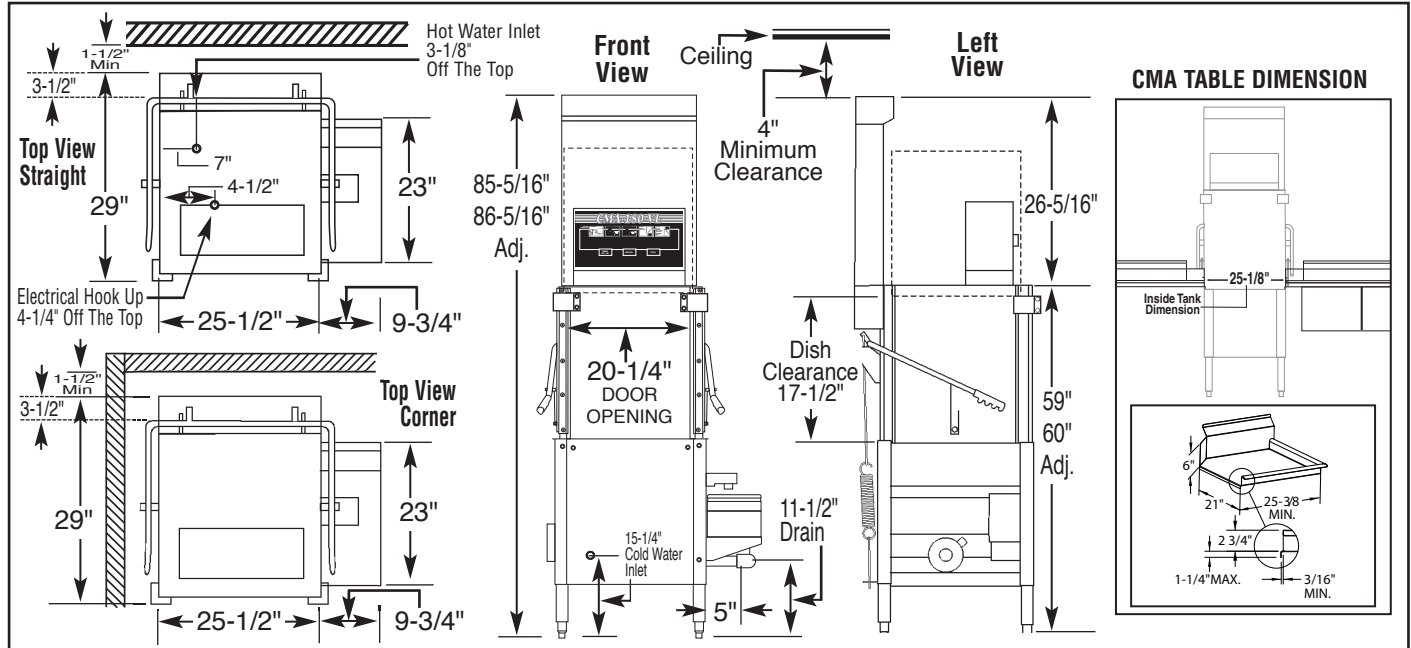


# CMA-180-VL

High Temperature  
3- Door Single Rack  
Dishwasher

### WARNINGS:

- Plumbing connections must be made by a qualified service company who will comply with all available Federal, State, and Local Health, Plumbing and Safety codes.
- CMA recommends utilizing a water softening system to maintain water hardness measurements of 3.5 gpg or less. This will assure maximum results and optimum operation of the dishmachine.



### Specifications:

MODEL CMA-180-VL	USA	METRIC	USA	METRIC
<b>WATER CONSUMPTION</b>				
PER RACK (MAX)	.89 GAL	(3.37 L)		
PER HOUR	36 GPH	(139 L)		
<b>OPERATING CYCLE</b>				
WASH TIME - SEC.	49	49		
RINSE TIME - SEC.	12	12		
STEAM EVACUATION	41	41		
TOTAL CYCLE	90	90		
<b>OPERATING CAPACITY</b>				
RACKS PER HOUR	40	40		
<b>WASH TANK CAPACITY</b>	8 GAL.	(30.3 L)		
<b>PUMP CAPACITY</b>	52 GPM	(197 LPM)		
<b>WATER REQUIREMENTS</b>				
COLD WATER	41-65°F	(5°C-18°C)		
HOT WATER	120°F-140°F	(49°C - 60°C)		
DRAIN CONNECTION	2"	(5.1cm)		
RINSE PRESSURE SET	20 ± 5psi	(1.41 kg/cm <sup>2</sup> )		
HOT WATER INLET	1/2"	(1.3cm)		
COLD WATER INLET	1/2"	(1.3cm)		
<b>OPERATING TEMPERATURE</b>				
WASH-°F (MIN)	155°F-160°F	(68°C-71°C)		
RINSE-°F (MIN)	180°F-195°F	(82°C-90°C)		
<b>HEAT LOAD TO ROOM (BTU/HR)</b>				
	LATENT 8,200			
	SENSIBLE 4,800			
<b>WASH PUMP MOTOR HP</b>	1	1		
<b>DIMENSIONS</b>				
DEPTH	29"	(76.7cm)		
WIDTH (OUTSIDE DIMENSION)	25-1/2"	(65cm)		
HEIGHT	85-5/16"-86-5/16"	(216-217cm)		
STANDARD TABLE HEIGHT	34"	(86.3cm)		
MAX CLEARANCE FOR DISHES	17-1/2"	(44cm)		
DRAIN CONNECTION (OFF FLOOR)	11-1/2"-12-1/2"	(29-32cm)		
<b>STANDARD DISHRACK</b>	1	1		
DIMENSIONS	19-3/4" X 19-3/4"	(50X50cm)		
<b>ELECTRICAL RATING</b>	<b>VOLTS</b>	<b>PHASE</b>	<b>AMPS</b>	
	208	1	78	
	240	1	88	
<b>INCLUDES</b>	208	3	49	
<b>REQUIRED 12kW</b>	240	3	55	
<b>BOOSTER</b>	480	3	25	
<b>APPROXIMATE SHIPPING WEIGHT</b>				
		500#		(226.5kg)

### Summary Specifications: Model CMA-180-VL

The model CMA-180-VL single tank, high temperature dishwasher is designed for years of trouble free service, producing sparkling results while conserving energy, water and chemicals. This machine is supplied with a built-in 12 kW booster heater required for "Ventless" feature to function. The CMA-180-VL comes standard with the 3-door feature for straight or corner applications. Unique soil purging system filters wash water and plate debris into an external tray. The CMA-180-VL is NSF, UL, CUL approved. Constructed entirely of stainless steel.

**Advisory:** CMA does NOT endorse "Tankless On-Demand" water heaters for use on CMA Dishmachine products. CMA DOES endorse, and highly recommends, the standard "tank" style water heaters, sized properly to handle each particular facility with their water heating requirements.



CMA Dishmachines 12700 Knott Street Garden Grove, CA 92841 • 800-854-6417 • 714-898-8781 • Fax: 714-895-2141 • www.cmadishmachines.com

CMA reserves the right to modify specifications or discontinue models without prior notification.

PN: 10113.10

© 10-2016 CMA, Inc.

an Ali Group Company



The Spirit of Excellence