



Fresh ideas in foodservice equipment



BKI's Hot Deli Display Island (BHI-5) shown above



BKI's Tiered Hot Deli Display Island (BHI-5T) shown above

Hot Deli Display Island

Model: BHI-5, BHI-5T

*Hexagonal Display Merchandiser
with Thermostatically Controlled
Zones*

With BKI's self-serve island hot case, hold a variety of items at varying temperatures for optimal product integrity and appeal. Vividly display prepared and packaged entrees and side items to stimulate customer interest and increase impulse sales. Built to hold constant and proper temperature, three independent zones on main surface offer unlimited menu options to your customers. Upper tier on BHI-5T offers fourth independently controlled zone.

Standard Features:

- Lighting under middle shelf and top canopy
- Radius bumper around perimeter of display
- Seamless flat countertop

Agency Approvals:



BKI North America
PO Box 80400
Simpsonville, SC 29680-0400 USA
Telephone: (864) 963-3471
Toll Free: (800) 927-6887

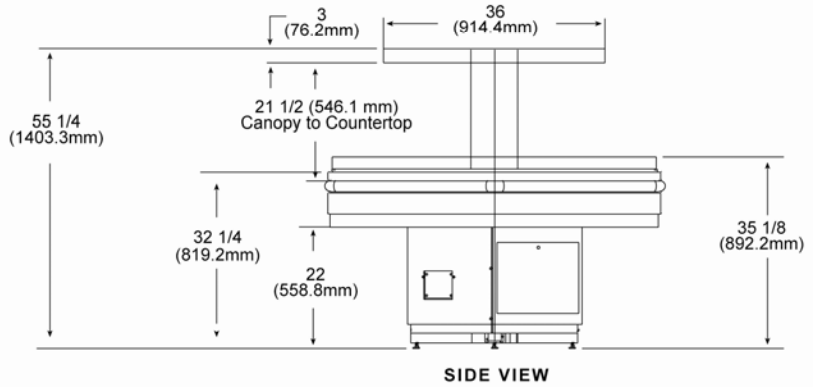
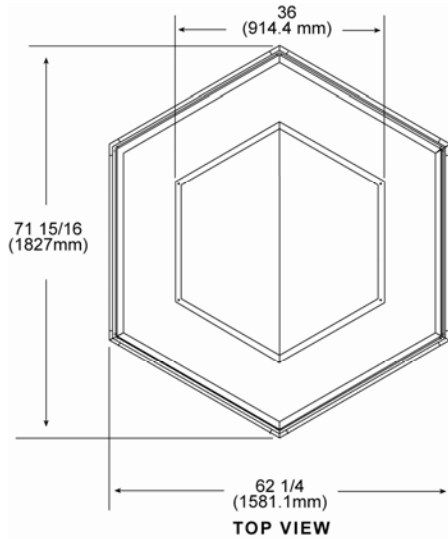
BKI Europe
Theale Technology Centre
Station Road • Theale
Reading • West Berkshire • RG7 4AA
Telephone: 0870 9904242 • Fax: 0870 9904243



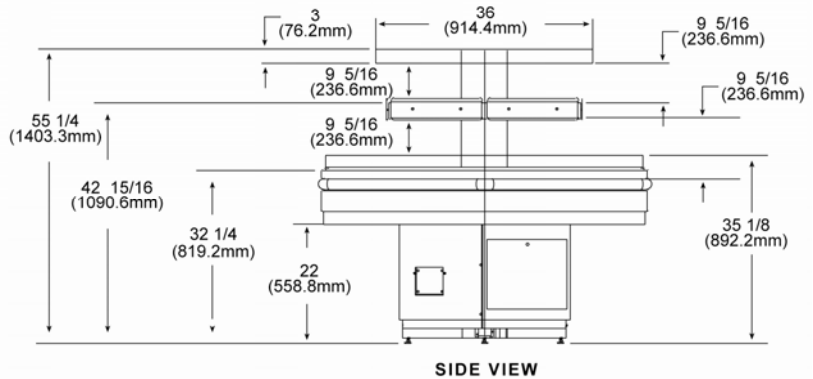
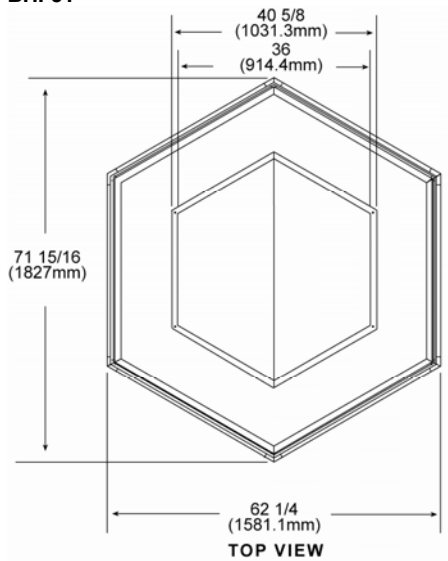
Hot Deli Display Island (BHI-5, BHI-5T)

Equipment Dimensions:

BHI-5



BHI-5T



Mechanical Specifications:

Dimension	BHI-5 (Uncrated)	BHI-5 (Crated)	BHI-5T (Uncrated)	BHI-5T (Crated)
Height	55.25" (1403.3 mm)	70.75" (1800.3 mm)	55.25" (1403.3 mm)	70.75" (1800.3 mm)
Width	71 15/16" (1827 mm)	80.5" (2048.3 mm)	71 15/16" (1827 mm)	80.5" (2048.3 mm)
Depth	62.27" (1581.15 mm)	78" (1984.7 mm)	62.27" (1581.15 mm)	78" (1984.7 mm)
Floor Space	31.1 sq. ft. (2.9 sq. m)	43.6 sq. ft. (4.05 sq. m)	31.1 sq. ft. (2.9 sq. m)	43.6 sq. ft. (4.05 sq. m)
Weight	935 lb. (424 kg)	1060 lb. (480.8 kg)	985 lb. (447 kg)	1060 lb. (480.8 kg)

Electrical Options:

BHI-5						BHI-5T					
Volts	Amps	KW	Breaker	Wires	Phase	Volts	Amps	KW	Breaker	Wires	Phase
208	11.6	2.4	20	2	1	208	16.6	3.5	25	2	1
240	11	2.6	20	2	1	240	15.8	3.75	25	2	1

BKI North America
 PO Box 80400
 Simpsonville, SC 29680-0400 USA
 Telephone: (864) 963-3471
 Toll Free: (800) 927-6887

BKI Europe
 Theale Technology Centre
 Station Road • Theale
 Reading • West Berkshire • RG7 4AA
 Telephone: 0870 9904242 • Fax: 0870 9904243

