



*Fresh ideas in foodservice equipment*

## Donut Fryers

### Model: DNF, DNF-F

### *Large Volume Electric Donut Fryer with optional Filter*



(BKI's DNF-F Electric Donut Fryer shown underneath a FH-28D Ventless Hood)

Improve productivity and profits with BKI's donut fryer. This fryer is sure to increase volume with minimum labor and space. Uniform cooking and heating cooks two dozen donuts in only 90 seconds for high volume production. Highest quality construction stands up to heavy use. Exceptional pricing makes the BKI donut fryer the profitable, value choice for any retail or catering business.

#### Standard Features:

- 24 donuts, 70 lb (31.8 kg) Oil Capacity
- Hinged drain board that can be mounted on left or right side
- 5" Casters for easy mobility
- External Material (18 gauge, 304 Stainless Steel)

#### Agency Approvals:



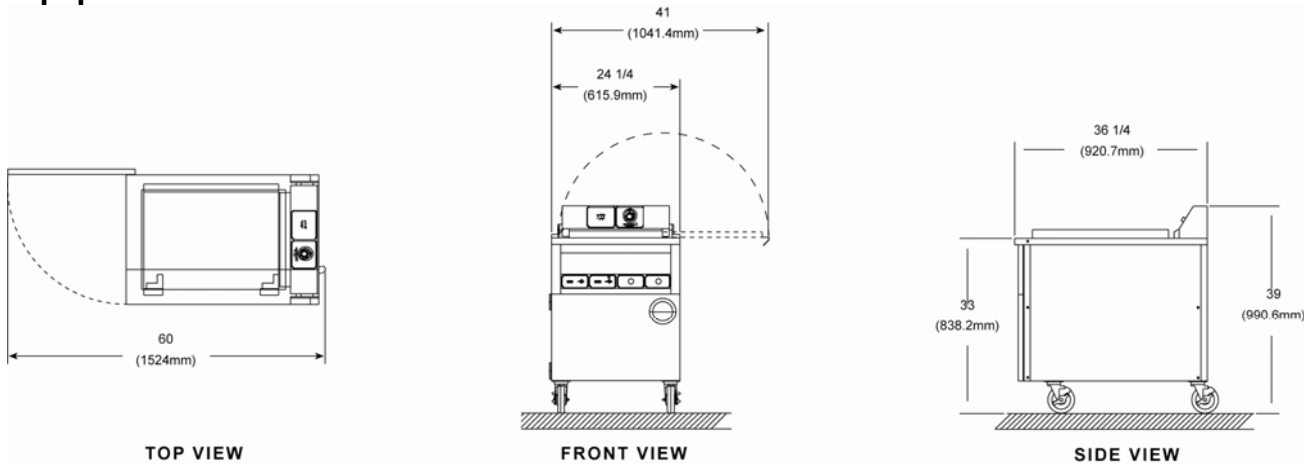
**BKI North America**  
 PO Box 80400  
 Simpsonville, SC 29680-0400 USA  
 Telephone: (864) 963-3471  
 Toll Free: (800) 927-6887

**BKI Europe**  
 Theale Technology Centre  
 Station Road • Theale  
 Reading • West Berkshire • RG7 4AA  
 Telephone: 0870 9904242 • Fax: 0870 9904243



# Donut Fryers (DNF, DNF-F)

## Equipment Dimensions:



DNF is depicted above but the dimensions shown apply to all models.

## Mechanical Specifications:

Dimension	Uncrated	Crated
Height	33" (838.2 mm)	57" (1450.4 mm)
Width	24.25" (616 mm)	27" (687 mm)
Depth	36.25" (920.7 mm)	42" (1068.7 mm)
Floor Space	6.2 sq. ft (.6 sq. m)	7.9 sq. ft (.73 sq. m)
Weight	300 lb. (136.1 kg)	315 lb. (142.9 kg)

## Electrical Options:

Volts	Amps	Breaker	KW	Wires	Phase
208	41.1	50	8.6	2	1
208	23.7	30	8.6	3	3
240	35.6	50	8.6	2	1
240	20.6	30	8.6	3	3
220/380/50Hz	14.5	20	9.6	4	3
240/415/50Hz	11.9	15	8.6	4	3

## Accessories (Optional)

	DNF	DNF-F
FKF Remote Filter with small vat (231000)	✓	
FKF Remote Filter with large vat (231001)	✓	
FKF-H Remote Filter with Heater (231100)	✓	
FH-28D Ventless Hood (371010)	✓	✓
BG-2 Donut Glazer w/casters, scissor ladle (710001)	✓	✓
Filter Rinse Hose assembly (SB2332)	✓	✓
Wooden flipstick (D0012)	✓	✓
Fry screen, 17" x 25" (R0012)	✓	✓
Submerger Screen (R0019)	✓	✓
Lift for use with fry screens (R0020)	✓	✓
Wire Racks for BG-2 Glazer (R0021)	✓	✓
Scissor ladle (SB7103)	✓	✓
13" insulating mitts (G0052)	✓	✓
Filter Paper (F10007)		✓

## Model Features/Options

	DNF	DNF-F
Shortening Filter System		✓
Left or right side drain board mounting	✓	✓

**BKI North America**  
 PO Box 80400  
 Simpsonville, SC 29680-0400 USA  
 Telephone: (864) 963-3471  
 Toll Free: (800) 927-6887

**BKI Europe**  
 Theale Technology Centre  
 Station Road • Theale  
 Reading • West Berkshire • RG7 4AA  
 Telephone: 0870 9904242 • Fax: 0870 9904243



Printed in the U.S.A.