



2' MULTI-SHELF MERCHANDISER – SELF-SERVE – MULTIPLE SHELF CONFIGURATIONS – AIR CURTAIN

# Model HSS2



Ideal for supermarkets and high-volume food service operations, the BKI® HSS series of merchandisers will precisely maintain various products at their optimum holding temperatures.

The HSS2 is a 2' wide merchandiser with your choice of 2-5 slanted shelf configurations. The front is open for quick grab-n-go service and has an optional sliding rear door for loading.

Each shelf is individually heated, which allows you the to set the optimum temperature for each shelf depending on the product. Every shelf has an integrated pricing tag rail and is illuminated with a shatter-resistant florescent bulb.

The HSS series of merchandisers is also offered in 3' and 4' widths. So no matter the volume or floor space available, we are sure to have a merchandiser to fit your needs.

## FEATURES AT A GLANCE

- Heated shelves with independent temperature control
- Ambient barrier with heated air curtain maintains temperature & freshness
- Built-in spill edge
- Pricing tag rails
- Optional sliding rear door
- Durable tempered glass end panels
- 100% hand built in the U.S.A.



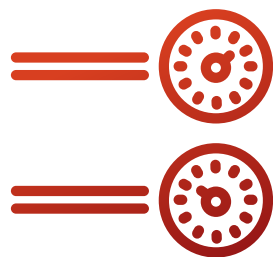
### PRODUCT CAPACITY

Hold up to 30 chicken domes for display depending on shelf configuration.



### ELECTRIC OPERATION

Energy efficiency and easy installation are a perfect pairing for your food service operation.



### INDIVIDUAL TEMP. CONTROL

Control the temperature of individual shelves depending on product.



### AIR CURTAIN

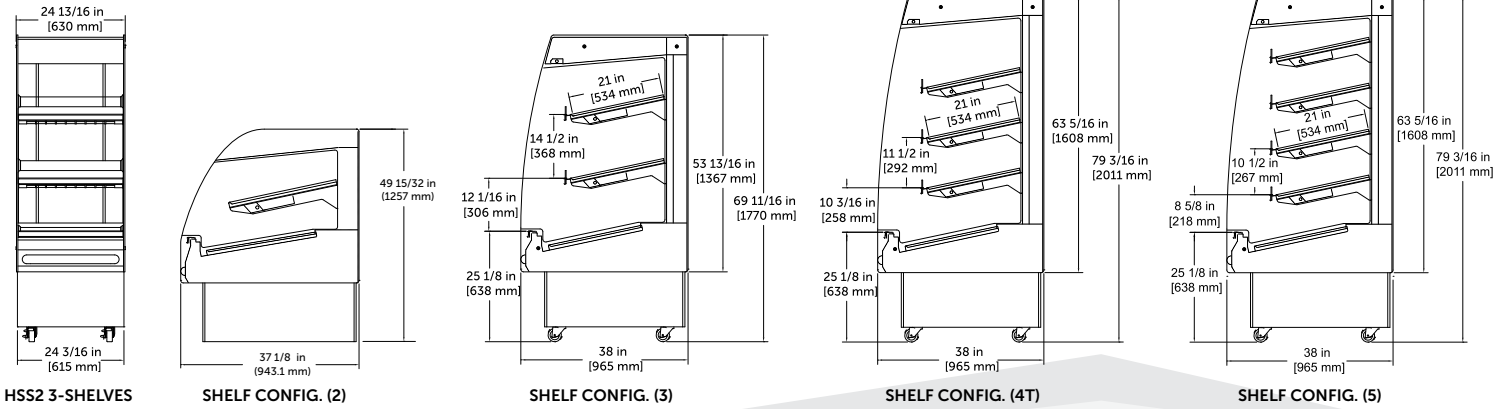
An ambient air curtain helps keep food temps as low as 60°F (15°C).



2' MULTI-SHELF MERCHANDISER – SELF-SERVE – MULTIPLE SHELF CONFIGURATIONS – AIR CURTAIN

# Model HSS<sub>2</sub>

## EQUIPMENT DIMENSIONS



## MECHANICAL SPECIFICATIONS

Dimension	HSS2	Shelf Config.	Volts	Phase	Cycles	Wires	kW	Amps
Height/Shelf Config.		2	208	1	50/60 Hz	2 + G	2183	10.5
			220	1	50/60 Hz	2 + G	2320	10.5
			230	1	50/60 Hz	2 + G	2536	11.0
			240	1	50/60 Hz	2 + G	2761	11.5
Width	24.81" (630 mm)	3	208	1	50/60 Hz	2 + G	2483	11.9
			220	1	50/60 Hz	2 + G	2595	11.8
			230	1	50/60 Hz	2 + G	2836	12.3
Depth	38" (965 mm)	4T & 4T	240	1	50/60 Hz	2 + G	3088	12.9
			208	1	50/60 Hz	2 + G	2784	13.4
Weight/Shelf Config.		5	220	1	50/60 Hz	2 + G	2870	13.0
			230	1	50/60 Hz	2 + G	3136	13.6
			240	1	50/60 Hz	2 + G	3415	14.2
			208	1	50/60 Hz	2 + G	3084	14.8
			220	1	50/60 Hz	2 + G	3144	14.3
			230	1	50/60 Hz	2 + G	3436	14.9
			240	1	50/60 Hz	2 + G	3741	15.6

## OPTIONS

- Back sliding doors

## SHELF SIZE AND CAPACITY:

Model	Width	Depth	Area	Capacity
HSS2	23" (584 mm)	21.5" (546 mm)	3.43 sq ft (22.1 sq cm)	6 Standard chicken domes per shelf



Visit [bkideas.com](http://bkideas.com) to view all accessories available for this model.

6.15.2017

bkideas.com

© BKI LI0283C/08-06

Specifications are subject to change without notice.

**BKI North America**  
 2812 Grandview Drive  
 Simpsonville, SC 29680  
 Telephone: (864) 963-3471  
 Toll Free: (800) 927-6887

Dimensions nominal.  
 Shipping Class: #100  
 FOB Simpsonville, SC

