



4' MULTI-SHELF MERCHANDISER – SELF-SERVE – MULTIPLE SHELF CONFIGURATIONS – AIR CURTAIN

Model HSS4



Ideal for supermarkets and high-volume food service operations, the BKI® HSS series of merchandisers will precisely maintain various products at their optimum holding temperatures.

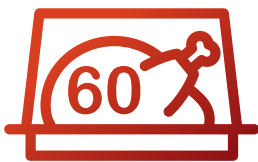
The HSS4 is a 4' wide merchandiser with your choice of 2-5 slanted shelf configurations. The front is open for quick grab-n-go service and has an optional sliding rear door for loading.

Each shelf is individually heated, which allows you the to set the optimum temperature for each shelf depending on the product. Every shelf has an integrated pricing tag rail and is illuminated with a shatter-resistant florescent bulb.

The HSS series of merchandisers is also offered in 2' and 3' widths. So no matter the volume or floor space available, we are sure to have a merchandiser to fit your needs.

FEATURES AT A GLANCE

- Heated shelves with independent temperature control
- Ambient barrier with heated air curtain maintains temperature & freshness
- Built-in spill edge
- Pricing tag rails
- Optional sliding rear door
- Durable tempered glass end panels
- 100% hand built in the U.S.A.



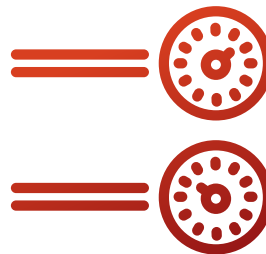
PRODUCT CAPACITY

Hold up to 40 chicken domes for display depending on shelf configuration.



ELECTRIC OPERATION

Energy efficiency and easy installation are a perfect pairing for your food service operation.



INDIVIDUAL TEMP. CONTROL

Control the temperature of individual shelves depending on product.



AIR CURTAIN

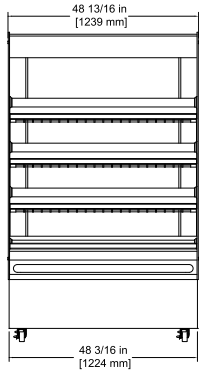
An ambient air curtain helps keep food temps as low as 60°F (15°C).



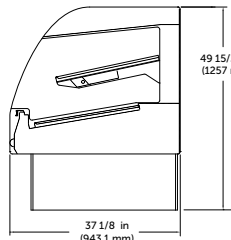
4' MULTI-SHELF MERCHANDISER – SELF-SERVE – MULTIPLE SHELF CONFIGURATIONS – AIR CURTAIN

Model HSS4

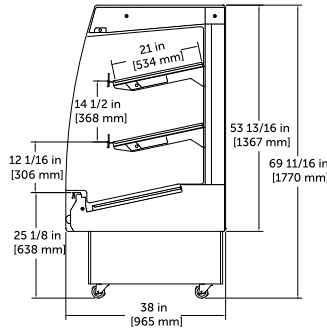
EQUIPMENT DIMENSIONS



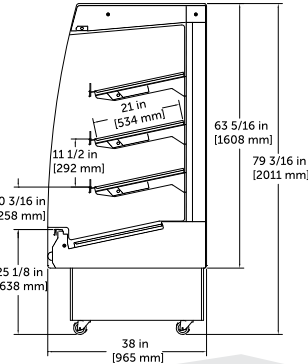
HSS4 4-SHELVES



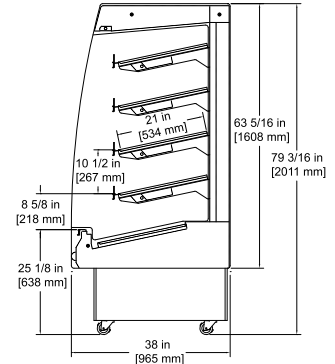
SHELF CONFIG. (2)



SHELF CONFIG. (3)



SHELF CONFIG. (4T)



SHELF CONFIG. (5)

MECHANICAL SPECIFICATIONS

Dimension	HSS4
Height/Shelf Config.	
2	49 15/32" (1257 mm)
3 & 4S	69 11/16" (1770 mm)
4T & 5	79 3/16" (2011 mm)
Width	48 13/16" (1234 mm)
Depth	38" (965 mm)
Weight/Shelf Config.	
2	570 lb (259 kg)
3 & 4S	670 lb (304 kg)
4T & 5	720 lb (327 kg)

ELECTRICAL SPECIFICATIONS:

Shelf Config.	Volts	Phase	Cycles	Wires	kW	Amps
2	208	1	50/60 Hz	2 + G	4326	20.8
	220	1	50/60 Hz	2 + G	4595	20.9
	230	1	50/60 Hz	2 + G	5022	21.8
	240	1	50/60 Hz	2 + G	5468	22.8
3	208	1	50/60 Hz	2 + G	4926	23.7
	220	1	50/60 Hz	2 + G	5144	23.4
	230	1	50/60 Hz	2 + G	5622	24.4
	240	1	50/60 Hz	2 + G	6122	25.5
4S & 4T	208	1	50/60 Hz	2 + G	5526	26.6
	220	1	50/60 Hz	2 + G	5693	25.9
	230	1	50/60 Hz	2 + G	6222	27.1
	240	1	50/60 Hz	2 + G	6775	28.2
	5	208	1	50/60 Hz	2 + G	6126
220		1	50/60 Hz	2 + G	6242	28.4
230		1	50/60 Hz	2 + G	6822	29.7
240		1	50/60 Hz	2 + G	7428	31.0

OPTIONS

- Back sliding doors

SHELF SIZE AND CAPACITY:

Model	Width	Depth	Area	Capacity
HSS3	47" (1194 mm)	21 1/2" (546 mm)	7.02 sq ft (45.3 sq cm)	12 Standard chicken domes per shelf



Visit bkideas.com to view all accessories available for this model.

5.20.2016

bkideas.com

© BKI LI0283C/08-06

Specifications are subject to change without notice.

BKI North America
 PO Box 80400
 Simpsonville, SC 29680-0400 USA
 Telephone: (864) 963-3471
 Toll Free: (800) 927-6887

