



Fresh ideas in foodservice equipment

Oil Caddy Model: OC-80

*Large capacity (80 lbs.)
portable waste oil pickup and
disposal unit*



Standard Features:

- Tank constructed of stainless steel.
- Unit provides up to 80 lbs. of oil capacity.
- Bidirectional vane pump allows for easy pickup and disposal of used cooking oil.
- Fluoroelastomer pump shaft seal resists degradation from pumping hot cooking oil.
- Pump can transfer up to 80 lbs. of oil in less than 2 minutes.
- Removable tank cover permits easy cleaning of tank.
- Unit supplied with 54 inch, high temperature, long-life hose.
- Wand allows pickup of oil from the top of the vat. This avoids breading clogs of the pump as in competitor's units which are drained into from the bottom of the fry vat.
- Balanced transport position, eight inch wheels, and a curved handle provide for ease in transport.

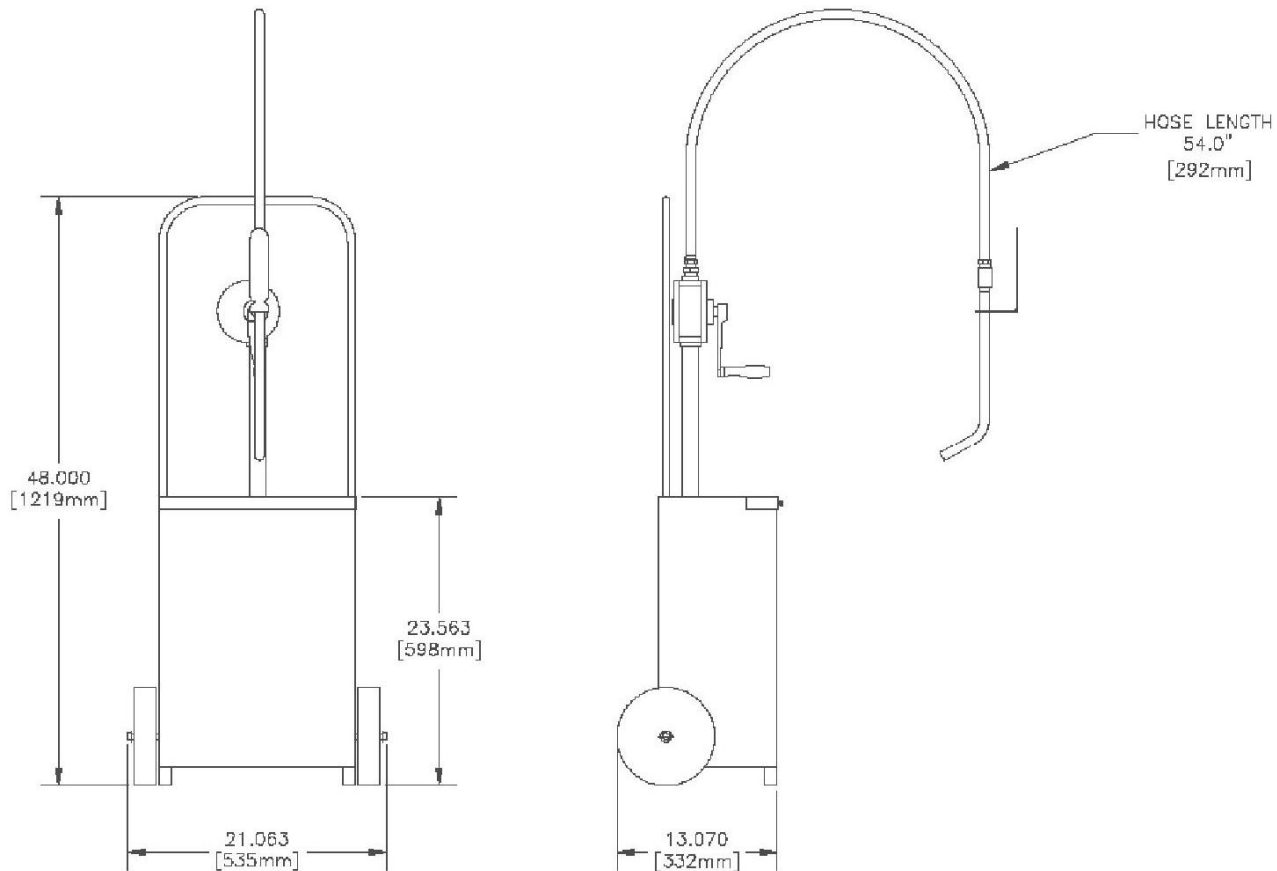
BKI North America
PO Box 80400
Simpsonville, SC 29680-0400 USA
Telephone: (864) 963-3471
Toll Free: (800) 927-6887

BKI Europe
Theale Technology Centre
Station Road • Theale
Reading • West Berkshire • RG7 4AA
Telephone: 0870 9904242 • Fax: 0870 9904243

 **Standex**
Food Service Equipment Group

Oil Caddy (OC-80)

Equipment Dimensions: OC-80



Mechanical Specifications:

Dimension	Uncrated	Crated
Height	48" (1219 mm)	28 1/2" (724 mm)
Width	21 1/16" (535 mm)	56" (1422 mm)
Depth	13 1/16" (332 mm)	32" (813 mm)
Floor	1.91 sq ft (0.18 sq m)	12 sq ft (1.1 sq m)
Weight	60 lbs (27 kg)	85 lbs (39 kg)

BKI North America
 PO Box 80400
 Simpsonville, SC 29680-0400 USA
 Telephone: (864) 963-3471
 Toll Free: (800) 927-6887

BKI Europe
 Theale Technology Centre
 Station Road • Theale
 Reading • West Berkshire • RG7 4AA
 Telephone: 0870 9904242 • Fax: 0870 9904243

