



Fresh ideas in foodservice equipment



Agency Approvals:



Rotisserie Model: VGG-8

High Capacity Electric Rotisserie Oven with Touch screen Controller

Ideal for supermarkets and superstores, the VGG's high volume capacity cooks up to 40 – 3lb/1.36kg chickens to perfection in 75 minutes to meet growing consumer demands and improve profitability.

Easy to assemble, superior servicing access and safety features including innovative cool-door technology save staff time and hassle. Plus, 15 custom programs can be stored to increase menu offerings from poultry to pork, beef, vegetables and pies and ensure uniform, consistent results every time.

Standard Features:

- Capacity: up to 40 – 3lb/1.36kg chickens
- High visibility with attractive design
- Lighted theatre for maximum customer attraction
- Curved glass picture window
- 15 program modes with pre-heat and hold capability
- Cool-door designed for safety
- Removable stainless steel parts for ease of cleaning
- External Material (18 gauge, 304 Stainless Steel)

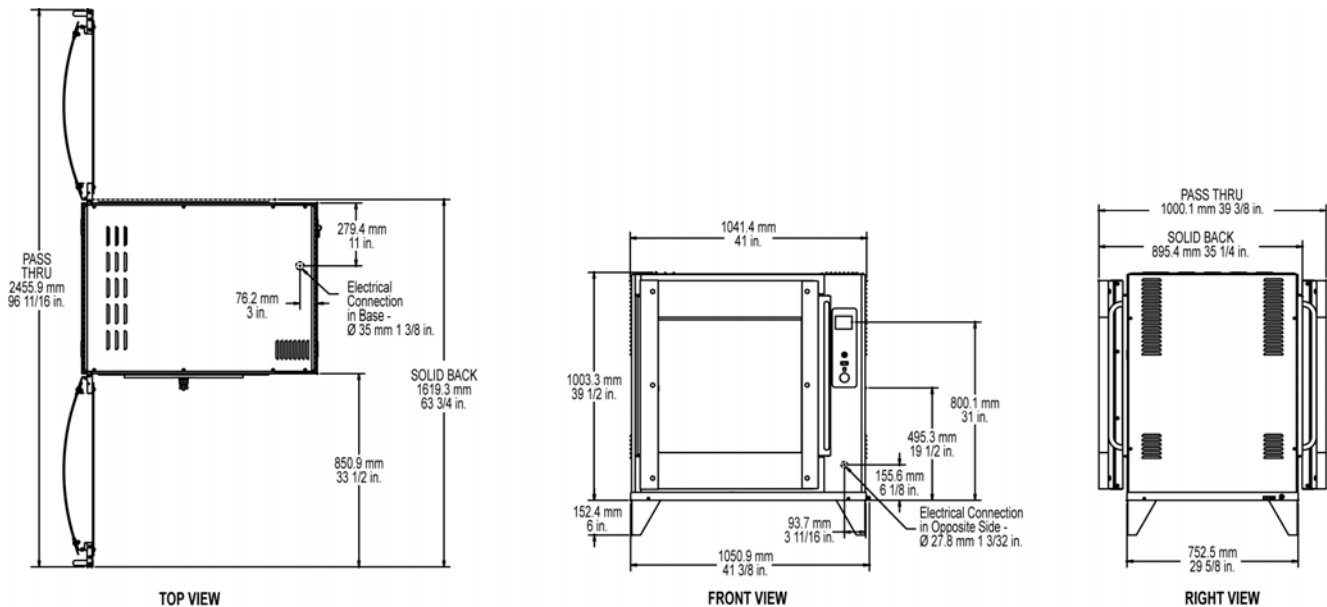
BKI North America
PO Box 80400
Simpsonville, SC 29680-0400 USA
Telephone: (864) 963-3471
Toll Free: (800) 927-6887

BKI Europe
Theale Technology Centre
Station Road • Theale
Reading • West Berkshire • RG7 4AA
Telephone: 0870 9904242 • Fax: 0870 9904243



Rotisserie (VGG-8)

Equipment Dimensions:



Mechanical Specifications:

Dimension	Uncrated	Crated
Height	39.5" (1003.3 mm)	57" (1450.4 mm)
Width	41" (1041.4 mm)	45.5" (1157.8 mm)
Depth	39 3/8" (1000.1 mm)	43" (1094.1 mm)
Floor Space	10.6 sq. ft. (.98 sq. m.)	13.6 sq. ft. (1.26 sq. m.)
Weight	530 lb. (240 kg)	565 lb. (256.3 kg)

Electrical Options:

North America					
Volts	Amps	Breaker	KW	Wires	Phase
208	32.2	45	11.1	3	3
220	28.2	40	10.3	3	3
240	30.1	40	12.0	3	3

Europe		
230 Volts, 50 Hz 3 Ph+N+E		
	Current (A)	Power (W)
L1	16.1	3714
L2	14.7	3400
L3	16.3	3765

Accessories

- BASKET, MEAT CHICKEN 4 GOOSERS (MB0037)
- MEAT BASKET (MB0038)
- MEAT FORK 27.1875 (MF0032)
- VEE SPIT (MF0038)
- 13" insulating mitts (G0052)

Options

- Pass-thru or solid back
- Flat or curved glass

BKI North America
 PO Box 80400
 Simpsonville, SC 29680-0400 USA
 Telephone: (864) 963-3471
 Toll Free: (800) 927-6887

BKI Europe
 Theale Technology Centre
 Station Road • Theale
 Reading • West Berkshire • RG7 4AA
 Telephone: 0870 9904242 • Fax: 0870 9904243

