

**ADVENTYS**

# INDUCTION

## CONCEPT

### INDUCTION COOKERS FOR PROFESSIONALS

*High energy efficiency (90%) and your cooking area stays cool too!*

- Stainless steel casing
- Counter-top installation
- Easy to clean capacitive touch controls
- Superior airflow and cooling fans permit all day use
- Two hobs - front-to-back or side-to-side
- Automatic pan detection / power supply monitor
- Controlled high temperature feature for stir fry and sauté
- Precision low temperature control for sauces and chocolates
- Empty pan security/automatic overheating protection
- Small article protection/oil auto ignition shutoff
- Removable grease filter to clean air intake

## PERSICA

GL2-3500, 5000, 6000, 7000      208/240 V



- Durable 4mm vitroceramic glass
- Total Watts: 3500, 5000, 6000 or 7000
- Two (2) 8" Coils
- Low power to 25 W
- Air inlet in front bottom; air outlet in rear bottom
- Control panel: on/off + (+/-) + (20) power levels + 99 min. timer

## SIBERIAN

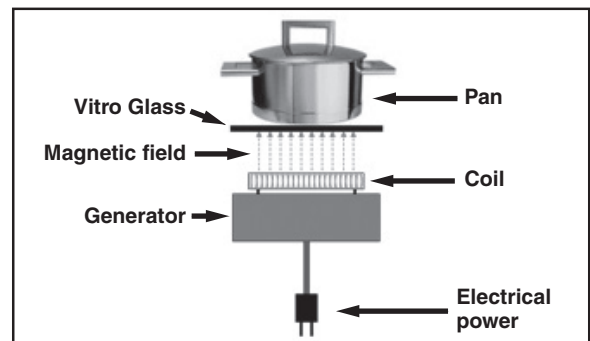
GL2-3500F, 5000F, 6000F, 7000F      208/240 V



- Durable 4mm vitroceramic glass
- Total Watts: 3500, 5000, 6000 or 7000
- Two (2) 8" Coils
- Low power to 25 W
- Air inlet in front and sides bottom; air outlet in rear bottom
- Control panel: on/off + (+/-) + (20) power levels + 99 min. timer



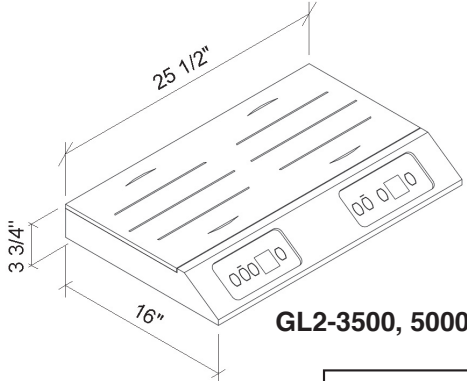
GL2 series induction cooker shown with EQUIPEX Small Appliance Ventless Hood (SA Vent)



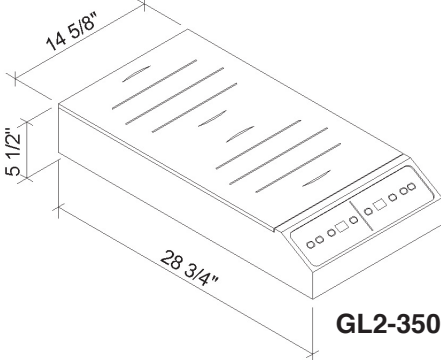
100 NIANTIC AVENUE; SUITE 104 PROVIDENCE, RI 02907  
 TEL: (401)273-3300 FAX: (401) 273-3328 E-mail: sales@equipex.com  
 www.equipex.com



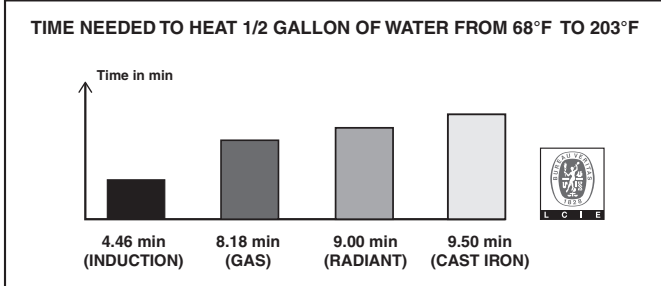
**Induction Cookers**



**GL2-3500, 5000, 6000, 7000**



**GL2-3500F, 5000F, 6000F, 7000F**



**INDUCTION TECHNOLOGY**

**How does it work?** Induction is a basic principal of physics. When the electric current goes through a copper coil it creates a magnetic field. The pan attracts the magnetic field and creates heat. Induction technology is over **90% efficient**, therefore there is no waste of power or heat. As soon as the pan is removed, the induction unit turns off and **saves you energy**.

CLEARANCE: 2½" EACH SIDE AND REAR

MAXIMUM AMBIENT TEMPERATURE: 130°F

**SPECIFICATIONS**

**NOTE: REQUIRES THE USE OF INDUCTION READY COOKWARE**

MODEL	ELECTRICAL	EXTERIOR DIMENSIONS	SHIPPING WEIGHT	NEMA PLUG
GL2-3500	208/240V, 1PH 3.5KW, 15/17 Amps	25½"W x 16"D x 3¾"H	22 lbs	L6 - 30P
GL2-3500F	208/240V, 1PH 3.5KW, 15/17 Amps	14⅝"W x 28¾"D x 5½"H	30 lbs	L6 - 30P
GL2-5000	208/240V, 1PH 5.0KW, 15/18 Amps	25½"W x 16"D x 3¾"H	22 lbs	L6 - 30P
GL2-5000F	208/240V, 1PH 5.0KW, 15/18 Amps	14⅝"W x 28¾"D x 5½"H	30 lbs	L6 - 30P
GL2-6000	208/240V, 1PH 6.0KW, 25/29 Amps	25½"W x 16"D x 3¾"H	22 lbs	6 - 50P
GL2-6000F	208/240V, 1PH 6.0KW, 25/29 Amps	14⅝"W x 28¾"D x 5½"H	30 lbs	6 - 50P
GL2-7000	208/240V, 1PH, 7.0KW, 37/42 Amps	25½"W x 16"D x 3¾"H	22 lbs	6 - 50P
GL2-7000F	208/240V, 1PH, 7.0KW, 37/42 Amps	14⅝"W x 28¾"D x 5½"H	30 lbs	6 - 50P

**WARRANTY: Limited two-year parts and labor**



100 NIANTIC AVENUE; SUITE 104 PROVIDENCE, RI 02907  
 TEL: (401)273-3300 FAX: (401) 273-3328 E-mail: sales@equipex.com  
 www.equipex.com