



# PIZZA

## CONCEPT

### COUNTERTOP PIZZA OVENS

*Pizza worth waiting for ...  
but your customers won't have to!*



### BRICK PIZZA OVENS

- 12" fresh or frozen pizza in just 3-6 minutes
- Fire brick stone for authentic taste
- Quartz heating elements bring temperatures up to 660°F
- 10-12 minute preheating time
- 15 minute timer with continuous cooking feature
- Stackable up to three units (optional stacking kit required)
- Ideal for pizzerias and pubs, convenience stores, fast food and snack bars
- Consistent professional results permit versatile use as baking or finishing oven



#### PRIMO

**PZ 330**

120 V



**PZ 331**

208/240 V

**CAPACITY:**

1 - 12" pizza in 3-6 minutes

#### UPPER CRUST

**PZ 660**

208/240 V



**CAPACITY:**

2 - 12" pizzas or several personal size pizzas in 3-6 minutes

### SNACK PIZZA OVEN

- Stainless steel pizza oven with baking wire rack for par-baked or refrigerated pizza
- Rack mounted door with handle
- Top and bottom high output sheathed elements
- Temperature up to 660°F with 15 minute timer
- Baking stone and frame assembly available for fresh or frozen pizza (optional)

**PZ 400**

120 V



**CAPACITY:**

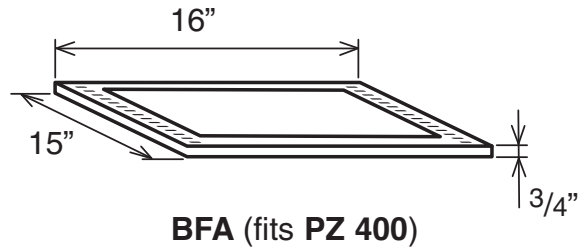
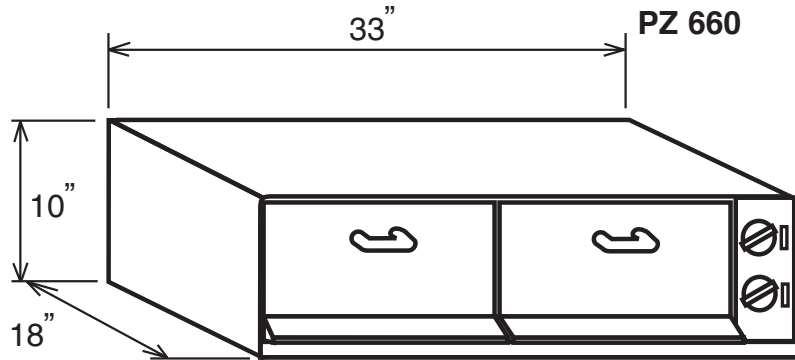
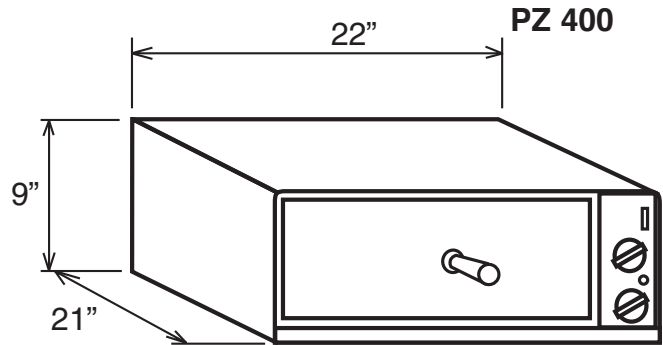
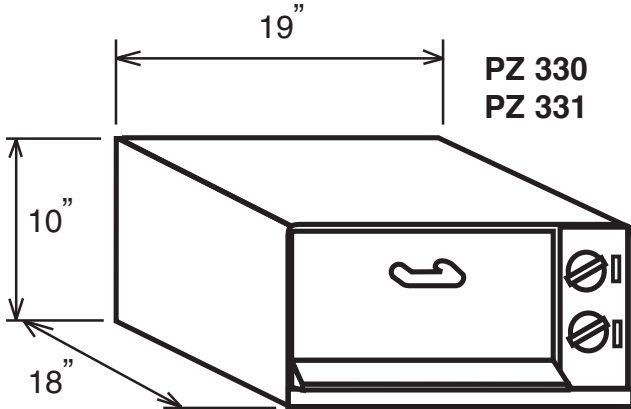
1 - 14" pizza in 8-12 minutes



765 WESTMINSTER STREET PROVIDENCE, RI 02903  
TEL: (401)273-3300 FAX: (401)273-3328 E-mail: sales@equipex.com  
www.equipex.com



**COUNTERTOP PIZZA OVENS**



INSTALLATION CLEARANCE : 4" EACH SIDE, TOP AND BACK

**SPECIFICATIONS**

MODEL	ELECTRICAL	DIMENSIONS	SHIPPING WEIGHT	NEMA PLUG
PZ 330	120V, 1.8KW, 15 Amps	19"Wx18"Dx10"H	56 lbs	5-15 P
PZ 331	208/240V, 1PH, 2KW, 8/10 Amps	19"Wx18"Dx10"H	56 lbs	6-15 P
PZ 660	208/240V, 1PH, 3KW, 13/15 Amps	33"Wx18"Dx10"H	100 lbs	6-15 P
PZ 400	120V, 1PH, 1.3KW, 11 Amps	22"Wx21"Dx9"H	50 lbs	5-15P
BFA	Fits PZ 400	16"Wx15"Dx3/4"H	10 lbs	

**WARRANTY: Limited one-year parts and labor**



765 WESTMINSTER STREET PROVIDENCE, RI 02903  
 TEL: (401)273-3300 FAX: (401)273-3328 E-mail: sales@equipex.com  
 www.equipex.com