



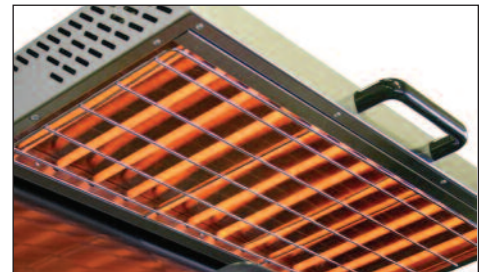
FINISHING OVEN

C O N C E P T

*Perfect way to finish or broil...
with precision and control*

- Electric finishing ovens with Quartz (Q) or Vitroceramic (VC, VCH and VCHE) heating elements
- Models with adjustable movable top or fixed top and adjustable shelf
- Instant-on* and *infinite power setting* features for movable top VC, VCH and VCHE models
- VCHE model includes digital controls and 30% stand by power feature
- Full or partial power
- Pull-out bottom tray with wire rack
- Free-standing or wall-mounted (kit optional)
- 4" legs (included) or 1" adjustable feet (optional) must be installed under unit
- Not to be installed over high heat or open flame without insulated shelf - consult factory (oversize shelf by 2" each side and 2" at front)

Quartz



Vitroceramic



VC Models Instant-on Control Panel



PRECISION

SEM-60/80

208/240V



FEATURES:

- movable top
- Quartz heating elements
 - 8(SEM-60); 12(SEM-80)
- Vitroceramic heating zones
 - 2(SEM-60); 3(SEM-80)

IMPERIAL

SEF-80

208/240V



FEATURES:

- adjustable intermediate wire shelf
- 12 Quartz heating elements
- 2 zone heat control

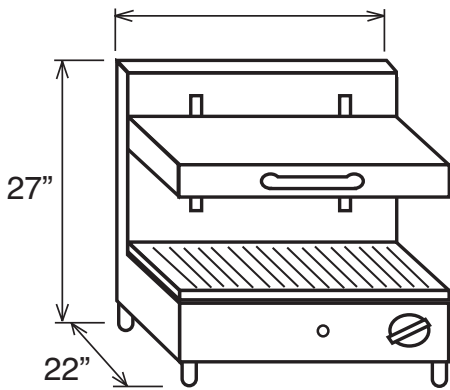


100 NIANTIC AVENUE; SUITE 104 PROVIDENCE, RI 02907
TEL: (401)273-3300 FAX: (401)273-3328 E-mail: sales@equipex.com
www.equipex.com

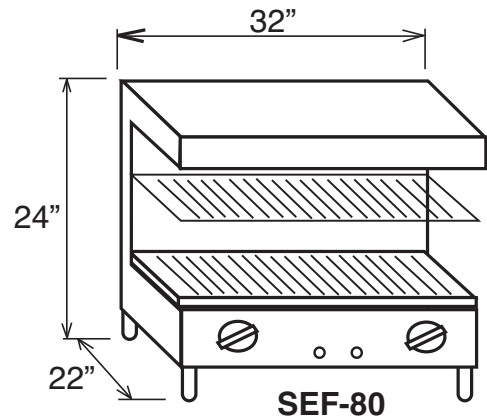


SEM-60 24" / SEM-80 32"

FINISHING OVENS



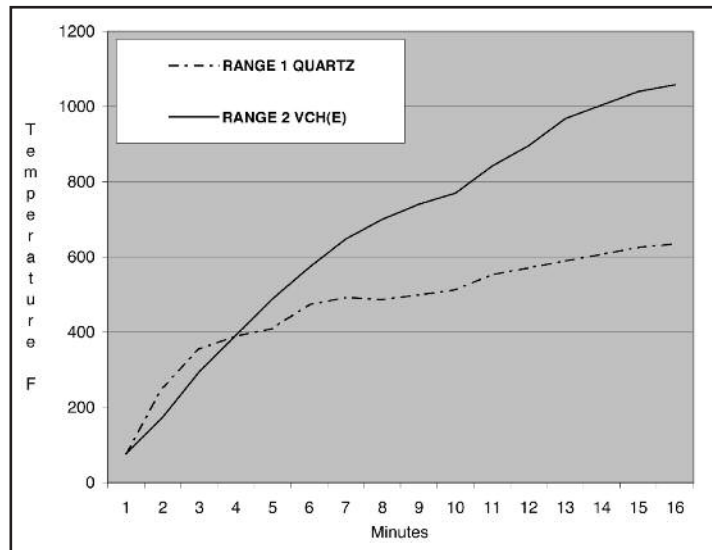
SEM-60 / SEM-80



SEF-80

Minutes	Range 1 Quartz °F	Range 2 Vitro Ceramic °F
0	77	77
1	253	174
2	356	295
3	390	392
4	410	489
5	473	572
6	493	648
7	487	700
8	500	740
9	513	770
10	554	842
11	572	896
12	590	968
13	608	1004
14	626	1040
15	635	1058

Note: Temperature recorded on plate shelf with movable top in the lowest position



SPECIFICATIONS

INSTALLATION CLEARANCE: 4" EACH SIDE

MODEL	ELECTRICAL	DIMENSIONS W x D x H	WORK SURFACE W X D	SHIPPING WEIGHT lbs.	NEMA PLUG
SEM-60Q	208/240V, 1PH 2.8KW, 12/14 Amps	24" x 22" x 27" (includes 4" legs)	24" x 15"	180	6-20P
SEM-60VC	208/240V, 1PH 3.0KW, 13/15 Amps	24" x 22" x 27" (includes 4" legs)	24" x 15"	190	6-20P
SEM-60VCHE	208/240V, 1PH, 5000W, 19/22 Amps	24" x 22" x 27" (includes 4" legs)	24" x 15"	190	L6-30P
SEM-80Q	208/240V, 1PH 3.9KW, 17/19 Amps ----- 208/240V, 3PH 3.9KW, 16/18 Amps	32" x 22" x 27" (includes 4" legs)	32" x 15"	195	L6-30P ----- Cord only
SEM-80VC	208/240V, 1PH 4.5KW, 19/22 Amps ----- 208/240V, 3PH 4.5KW, 18/20 Amps	32" x 22" x 27" (includes 4" legs)	32" x 15"	205	L6-30P ----- Cord Only
SEM-80VCH	208/240V, 1PH 7500W, 28/32 Amps ----- 208/240V, 3PH 7500W, 18/20 Amps	32" x 22" x 27" (includes 4" legs)	32" x 15"	205	6-50P ----- Cord Only
SEF-80Q	208/240V, 3PH 5KW, 13/15 Amps	32" x 22" x 24" (includes 4" legs)	32" x 14"	170	Cord Only

WARRANTY: Limited one year parts and labor



100 NIAN TIC AVENUE, SUITE 104 PROVIDENCE, RI 02907
 TEL: (401)273-3300 FAX: (401)273-3328 E-mail: sales@equipex.com
 www.equipex.com

