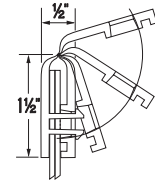


Made of non-corrosive high-impact polypropylene



Hardware Profile

Strip Thicknesses:

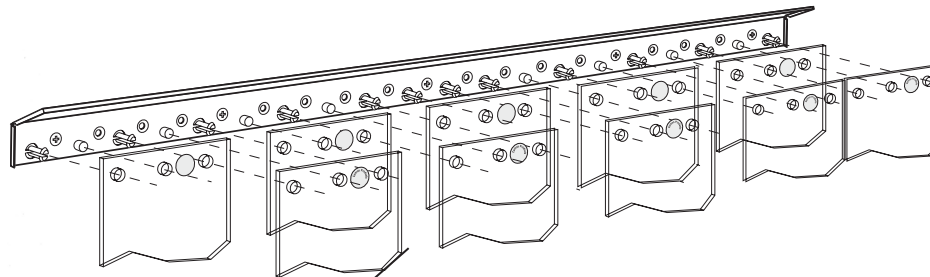
- .060 Mil
- .080 Mil

Strip Grades:

- Standard - Clear
- Polar Reinforced (-40°F) - Clear

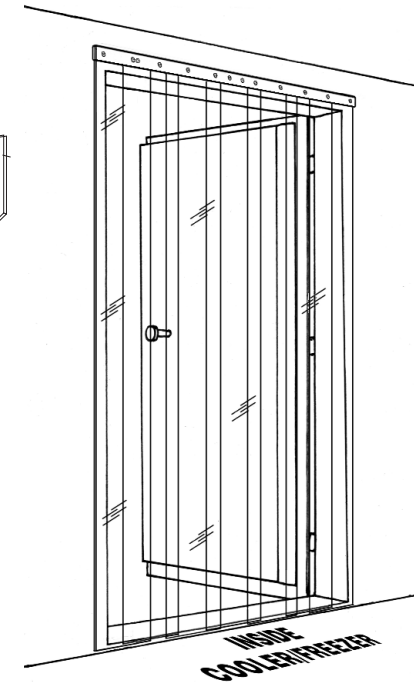
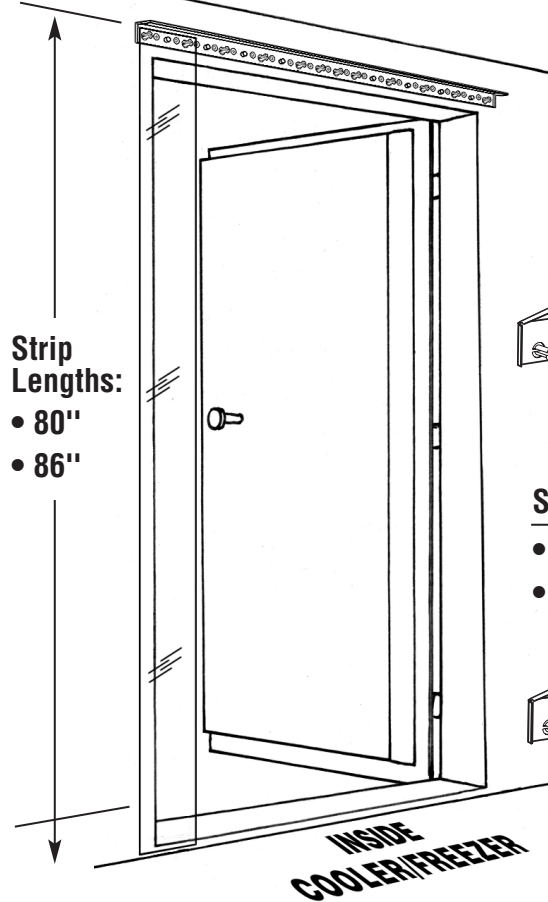
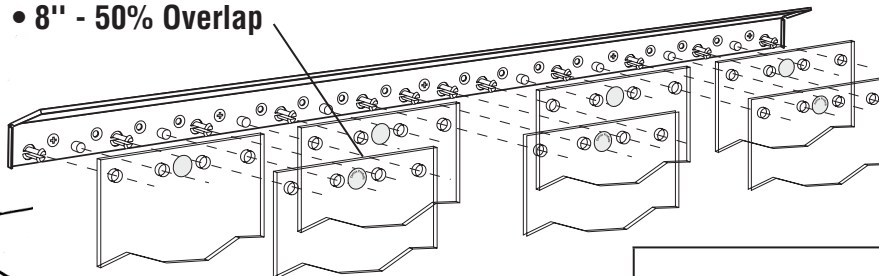
Strip Lengths:

- 80"
- 86"



Strip Widths:

- 6" - 67% Overlap
- 8" - 50% Overlap



MODELS AVAILABLE

- | | |
|--------------------------------------|---------------------------------------|
| <input type="checkbox"/> CZ-6-S-4080 | <input type="checkbox"/> CZ-6-PR-4080 |
| <input type="checkbox"/> CZ-6-S-4086 | <input type="checkbox"/> CZ-6-PR-4086 |
| <input type="checkbox"/> CZ-8-S-4080 | <input type="checkbox"/> CZ-8-PR-4080 |
| <input type="checkbox"/> CZ-8-S-4086 | <input type="checkbox"/> CZ-8-PR-4086 |

For Freezer and Cooler Doors

USDA and FDA Compliant



5350 Campbells Run Road • Pittsburgh, PA 15205-9738
800-833-5005 • 412-787-9750

CURTRONIZER™ STRIP DOORS