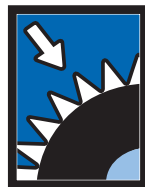


SPEC # _____

QUANTITY _____

APPLICATION

MULTIPLE EQUIPMENT



AT A GLANCE

The Aqua-Pure[®] DF290-CL Dual-Flow water filtration systems provide consistent high-quality water for the multiple applications of cold beverages and ice at a combined flow rate of up to 7.66 gpm (29.1 lpm). Two separate streams exit the manifold. The first stream (STREAM ONE) supplies cold beverage applications. The second stream (STREAM TWO) supplies the ice machine.

- **STREAM ONE** combines cyst, bacteria, chloramine, chlorine taste and odor, and sediment reduction for a total volume up to 30,000 gallons (113,563 liters) at a flow rate up to 2.66 gpm (10.2 lpm).
- **STREAM TWO** reduces cyst, bacteria, and sediment. The flow rate is up to 5 gpm (18.9 lpm), and the life is 30,000 gallons (113,563 liters). Chloramine and/or Chlorine are not removed from this stream to preserve their disinfectant properties. A scale-inhibition medium is added to reduce the hard-scale effects of calcium and magnesium ions.

PRODUCT BENEFITS

- One system for dedicated Ice and Cold Beverage applications that simultaneously supplies high-quality water for beverage dispensers and ice machines.
- Revolutionary Integrated **Membrane Pre-Activated Carbon Technology ("IMPACT")** dual-zone media cartridge construction combines a membrane in series with premium activated carbon to provide superior throughput and cartridge life.
- Cartridge Life Guarantee*
- Certified by NSF to Standard 53 for cyst reduction.
- NSF Standard 42 and/or FDA CFR 21 compliant materials provide assurance of safety.
- Reduces water-borne heterotrophic bacteria** by membrane filtration as tested by CUNO.
- A dedicated non-carbon-containing cartridge removes only sediment and adds a scale-inhibition medium for ice machines. The inlet-water's chlorine/chloramine content is unaffected for the reduction of biofilm.
- SQC - Sanitary Quick Change - encapsulated cartridge design allows for fast and easy change-outs with a ¼ turn while minimizing the possibility of leakage and contamination.
- 3/4" FNPT plumbing connections allow direct or easily-adaptable connections to existing plumbing lines.
- Auxillary inlet gauge port allows optional monitoring of differential water pressure.
- Exhausted cartridges may be incinerated. †

PRODUCT SPECIFICATIONS

Model	Part Number	Reduction Claims	Micron Rating	Capacity	Service Flow Rate	Application	Replacement Cartridge	Sizing
DF290-CL	56170-02	Cyst, Bacteria, Sediment, Chloramine, Chlorine Taste and Odor, Scale	0.2'	Bev Stream: 30,000 Gallons (113,563 Liters) Ice Stream: 30,000 Gallons (113,563 Liters)	Bev Stream: 2.66 gpm (10.2 lpm) Ice Stream: 5 gpm (18.9 lpm)	Most Normal Water	DF290-CL CARTRPAK: 56138-07	For simultaneous operation of carbonators and ice machines.

* See Aqua-Pure Commercial Products Price Book for Terms and Conditions

** As tested with either E. Coli ATCC (11229) or Pseudomonas (B) diminuta ATCC (19146)

† NSF Certified for Particulate, Class I



a 3M company



Aqua-Pure® Commercial Products

SPEC # _____

QUANTITY _____

MODEL NUMBER _____

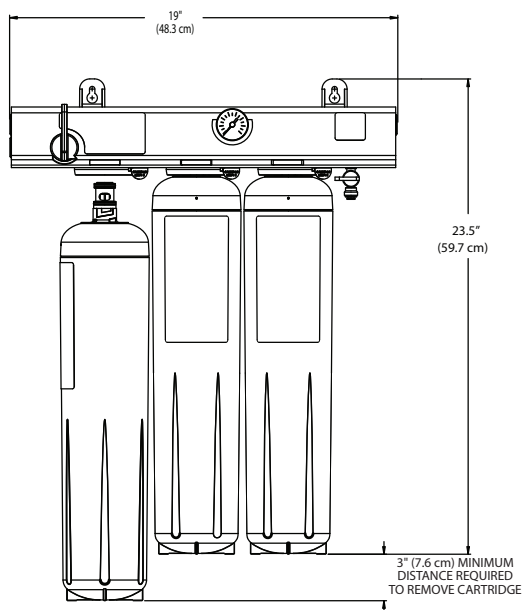
PART NUMBER _____

Aqua-Pure®

COMMERCIAL PRODUCTS

DF290-CL

PHYSICAL SPECIFICATIONS



INSTALLATION TIPS

- Shut off downstream equipment prior to installation of the system.
- Choose mounting location to support full system weight when operating.
- Do not exceed operating parameters for temperature or pressure.
- Do not install outdoors.
- For commercial use only.
- Install on cold water line only.

LIMITED 5 YEAR WARRANTY

CUNO makes no guarantees or warranties, expressed or implied, including, but not limited to, any implied warranty of merchantability or fitness for a particular purpose or implied warranty arising out of a course of dealing, custom, or usage of trade whatsoever with respect to these instructions. CUNO shall not under any circumstances be liable to the recipient of these instructions for any direct, indirect, special, incidental, or consequential loss or damages (including, but not limited to, loss of profits, revenue, business, opportunity, or goodwill) resulting from or in any way related to these instructions or the recipient's non-adherence to these instructions, regardless of the legal or equitable theory under which such loss or damages are sought, including breach of warranty or contract, negligence or strict liability.

- System includes a three-cartridge dual-outlet port manifold with built-in pressure gauge, optional port for an inlet pressure gauge, inlet water shut-off valve, outlet check valve, mounting brackets, and the cartridge filters.
- Inlet and outlet plumbing connections to the mounted head are 3/4 inch FNPT.
- Filter cartridges are double o-ring seal type.
- System maximum operating pressure of 125 psi (862 kPa) and a maximum operating temperature of 100°F (38°C).
- Recommended total service flow rate is up to 7.66 gpm (29.1 lpm) (see Product Specifications for individual flow max.)
- Beverage filter cartridges incorporate carbon block media protected by a pleated pre-filter membrane. Ice filter cartridge includes a filter membrane and scale-inhibition media.
- System is NSF Standard 42 and/or FDA CFR21 compliant.
- Cartridge bodies are constructed from high-impact glass-filled polypropylene.
- Cartridges are sanitary in design, requiring no contact with the filter media during cartridge change-out.
- Filter cartridges require no pre-activation.
- A NSF Performance Data Sheet (PDS) is included.
- Shipping weight: 20 lbs (9.1 kg)
- Operating weight: 38 lbs (17 kg).

IMPORTANT: Do not use with water that is microbiologically unsafe or of unknown quality without adequate disinfection before or after the system. Systems certified for cyst reduction may be used on disinfected water that may contain filterable cysts. EPA Establishment Number 070595-CT-001.

“CAUTION” To reduce the risks associated with water leakage, which if not avoided, may result in property damage - check with your plumbing professional to verify that water pressure is less than 125 psi (862 kPa).

CUNO Incorporated recommends regularly scheduled maintenance and replacement of the filter cartridge(s) in order for the product to perform as advertised/sold. **Change the filter cartridge at least every 6 months.** CUNO shall not be liable for system failures due to improper maintenance.



Visit www.nsf.org for the claims associated with products that are NSF listed.



CUNO Incorporated

400 Research Parkway
Meriden, CT 06450, USA
Toll Free: 1.888.218.CUNO
Worldwide: 203.237.5541
Fax: 203.238.8701

www.cunofoodservice.com