



| | | | | |
|--------------|-----|----------|--|-------|
| PROJECT NAME | | LOCATION | | AIA # |
| ITEM # | QTY | MODEL # | | SIS # |

SPEC SERIES®

ROLL-IN SOLID SWING DOOR REFRIGERATOR

| | | | |
|--------|--------------|--------------|--------------|
| models | STR2RRI89-2S | STA2RRI89-2S | STG2RRI89-2S |
|--------|--------------|--------------|--------------|

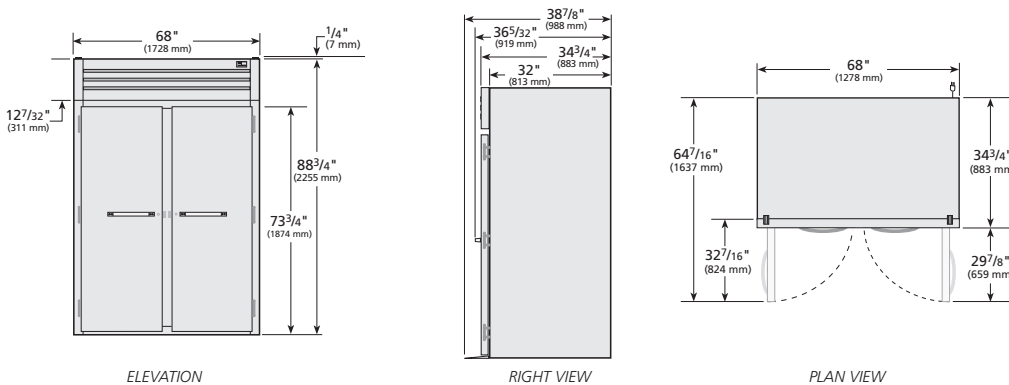


| STR2RRI89-2S | |
|-----------------|---|
| Exterior | Stainless steel door, front & sides. |
| Interior | Stainless steel side walls, back, floor, door liner, & ceiling. |

| STA2RRI89-2S | |
|-----------------|---|
| Exterior | Stainless steel door, front & sides. |
| Interior | Aluminum side walls & back. Stainless steel floor & ceiling. |

| STG2RRI89-2S | |
|-----------------|---|
| Exterior | Stainless steel door, with matching aluminum sides. |
| Interior | Aluminum side walls & back. Stainless steel floor & ceiling. |

plan view



| SPECIFICATIONS | | |
|--|-------------|----------------------|
| Dimensions | in. | mm. |
| Length | 68 | 1728 |
| Depth | 34 3/4 | 883 |
| Height | 88 3/4 | 2261 |
| Electrical | U.S. | International |
| Horsepower | 1/2 | N/A |
| Amps | 11.8 | N/A |
| Voltage | 115/60/1 | |
| NEMA | 5-15P | |
| Cord Length | 9 ft. | 2.74 M. |
| 115/60/1 NEMA-5-15R † Depth does not include 4 1/4" (108 mm) for ramp. * Height does not include 1/4" (7 mm) for system mechanical components. | | |

Specifications subject to change without notice.
 Chart dimensions are rounded up to the nearest 1/8" (millimeters rounded up to the next whole number).

| | | |
|------|-------------------|---------------------|
| | APPROVALS | AVAILABLE AT |
| 5/13 | Printed in U.S.A. | |



| | | |
|--------------|----------|---------|
| PROJECT NAME | LOCATION | AIA # |
| ITEM # | QTY | MODEL # |
| | | SIS # |

SPEC SERIES®

ROLL-IN SOLID SWING DOOR REFRIGERATOR

| | | | |
|--------|--------------|--------------|--------------|
| models | STR2RRI89-2S | STA2RRI89-2S | STG2RRI89-2S |
|--------|--------------|--------------|--------------|



standard features

REFRIGERATION SYSTEM

- Factory engineered, self-contained, capillary tube system using environmentally friendly (CFC free) 134A refrigerant.
- Extra large evaporator coil balanced with higher horsepower compressor and large condenser maintains cabinet temperatures of 33°F to 38°F (.5°C to 3.3°C) for the best in food preservation.
- Sealed, cast iron, self-lubricating evaporator fan motor(s) and larger fan blades give True roll-in's a more efficient low velocity, high volume airflow design. This unique design ensures faster temperature recovery and shorter run times in the busiest of foodservice environments.
- Top mounted refrigeration system with evaporator positioned out of food zone to maximize capacity.

CABINET CONSTRUCTION

- Insulation - entire cabinet structure and solid door are foamed-in-place using Ecomate. A high density, polyurethane insulation that has zero ozone depletion potential (ODP) and zero global warming potential (GWP).
- Designed to accept roll-in racks (inboard castors) with maximum dimensions of 27"L x 29"D x 72"H (686 mm x 737 mm x 1829 mm)(supplied by others).
- One (1) heavy gauge stainless steel ramp.

DOORS

- Lifetime guaranteed bolt style door locks standard.
- Lifetime guaranteed heavy duty all metal working door handle.
- Positive seal self-closing door with 120° stay open feature. Lifetime guaranteed external cam lift door hinges, Three (3) per door section.
- Magnetic door gasket of one piece construction, removable without tools for ease of cleaning.

LIGHTING

- Incandescent interior lighting, safety shielded.

MODEL FEATURES

- Exterior digital temperature display, available with either °F or °C .
- Evaporator epoxy coated to eliminate the potential of corrosion
- Interior bumpers protect cabinet walls from abuse caused by roll-in carts.
- NSF-7 compliant for open food product.

ELECTRICAL

- Unit completely pre-wired at factory and ready for final connection to a 115/60/1 phase, 15 amp dedicated outlet. Cord and plug set included.

OPTIONAL FEATURES/ ACCESSORIES

- (upcharge & lead times may apply)*
- Field reversible hinge
 - Stainless back. (STR, STA, STG)

WARRANTY
 Three year warranty on all parts and labor and an additional 2 year warranty on compressor. (U.S.A. only)

METRIC DIMENSIONS ROUNDED UP TO THE NEAREST WHOLE MILLIMETER
 SPECIFICATIONS SUBJECT TO CHANGE WITHOUT NOTICE

| | | | | | | |
|--|----------------|-----------|-------|------|----|------|
| | Model | Elevation | Right | Plan | 3D | Back |
| | ST()2RRI89-2S | | | | | |