



# TRUE FOOD SERVICE EQUIPMENT, INC.

2001 East Terra Lane • P.O. Box 970 • O'Fallon, Missouri 63366  
(636)240-2400 • Fax (636)272-2408 • (800)325-6152 • Intl Fax# (001)636-272-7546  
Parts Dept. (800)424-TRUE • Parts Dept. Fax# (636)272-9471 • www.truemfg.com

Project Name: \_\_\_\_\_

Location: \_\_\_\_\_

Item #: \_\_\_\_\_ Qty: \_\_\_\_\_

Model #: \_\_\_\_\_

A/A #

SIS #

Model:  
**TS-28G-PT**

## Deep TS Series: 300 Series Stainless Steel Glass Door Pass-Thru Refrigerator



Shown with optional tray slides

### TS-28G-PT

- ▶ True's TS series is the choice for the exclusive 300 series stainless steel commercial application.
  - ▶ Pass-thru design allows for convenient rear loading and front access for serving.
  - ▶ Designed using the highest quality materials and components to provide the user with colder product temperatures, lower utility costs, exceptional food safety and the best value in today's food service marketplace.
  - ▶ Oversized, factory balanced, refrigeration system holds 33°F to 38°F (.5°C to 3.3°C) for the best in food preservation.
  - ▶ 300 series stainless steel interior and exterior front, rear and sides. The very finest stainless with higher tensile strength for fewer dents and scratches.
  - ▶ Energy efficient, "Low-E", double pane thermal insulated glass front door.
  - ▶ Glass front door features patented integrated door light (IDL) system for high product visibility.
  - ▶ Adjustable, heavy duty chrome shelves.
  - ▶ Positive seal self-closing doors. Lifetime guaranteed door hinges and torsion type closure system.
- Bottom mounted units feature:**
- ▶ "No stoop" lower shelf.
  - ▶ Storage on top of cabinet.
  - ▶ Compressor performs in coolest, most grease free area of kitchen.
  - ▶ Easily accessible condenser coil for cleaning.

### ROUGH-IN DATA

Specifications subject to change without notice.  
Chart dimensions rounded up to the nearest 1/8" (millimeters rounded up to next whole number).

Model	Doors Fr/Bk	Capacity (Cu. Ft.) (liters)	Shelves	Cabinet Dimensions (inches) (mm)			HP	Voltage	Amps	NEMA Config.	Cord Length (total ft.) (total m)	Crated Weight (lbs.) (kg)
				L	D†	H*						
TS-28G-PT	1/1	28 793	3	29 737	35 1/4 896	78 3/8 1991	1/2 1/2	115/60/1 230-240/50/1	9.6 5.0	5-15P ▲	9 2.74	385 175

\* Height does not include 5" (127 mm) for castors or 6" (153 mm) for optional legs.

▲ Plug type varies by country.

† Depth does not include 1 3/8" (35 mm) for front door handle.



APPROVALS:

AVAILABLE AT:

Model:  
**TS-28G-PT**

**Deep TS Series:**  
*300 Series Stainless Steel Glass Door Pass-Thru Refrigerator*



**STANDARD FEATURES**

**DESIGN**

- True's glass door pass-thru's are designed with enduring quality that protects your long term investment.
- True's commitment to using the highest quality materials and oversized refrigeration systems provides the user with colder product temperatures, lower utility costs, exceptional food safety and the best value in today's food service marketplace.

**REFRIGERATION SYSTEM**

- Factory engineered, self-contained, capillary tube system using environmentally friendly (CFC free) 134A refrigerant.
- Extra large evaporator coil balanced with higher horsepower compressor and large condenser; maintains 33°F to 38°F (.5°C to 3.3°C) for the best in food preservation.
- Sealed, cast iron, self-lubricating evaporator fan motor(s) and larger fan blades give True pass-thru's a more efficient low velocity, high volume airflow design. This unique design ensures faster temperature recovery and shorter run times in the busiest of food service environments.
- Bottom mounted condensing unit positioned for easy maintenance. Compressor runs in coolest and most grease free area of the kitchen. Allows for storage area on top of unit.

**CABINET CONSTRUCTION**

- Exterior - 300 series stainless steel front, rear and sides.
- Interior - 300 series stainless steel liner and floor.
- Insulation - entire cabinet structure and solid rear door is foamed-in-place using high density, CFC free, polyurethane insulation.
- Welded, heavy duty galvanized frame rail dipped in rust inhibiting enamel paint for corrosion protection inside and out.
- Frame rail fitted with 4" (102 mm) diameter stem castors - locks provided on front set.

**DOORS**

- Front door - "Low-E", double pane thermal insulated glass assembly with extruded aluminum frame. Rear doors - 300 series stainless steel exterior and liner. Door extends full width of cabinet shell.
- Door locks standard.
- Front glass door fitted with 15" (381 mm) long extruded aluminum handle. Rear solid door fitted with lifetime guaranteed 12" (305 mm) long recessed handle that is foamed-in-place with a sheet metal interlock to ensure permanent attachment.
- Positive seal self-closing doors. Lifetime guaranteed door hinges and torsion type closure system.
- Magnetic door gaskets of one piece construction, removable without tools for ease of cleaning.

**SHELVING**

- Three (3) adjustable, heavy duty chrome shelves 25" L x 26<sup>9</sup>/<sub>16</sub>" D (635 mm x 674 mm) (shipped separately). Four (4) support knobs included per shelf (field installed). Shelves are adjustable on 6" (153 mm) increments
- Four (4) different interior kits available (see Kit Options). Pilasters and tray slides require field installation (shipped separately).

**LIGHTING**

- Fluorescent interior lighting. Glass door utilizes full-length, patented, integrated door light (IDL) system. Safety shielded.

**MODEL FEATURES**

- Evaporator is epoxy coated to eliminate the potential of corrosion.
- Exterior solar, digital temperature display.
- NSF-7 compliant for open food product.

**ELECTRICAL**

- Unit completely pre-wired at factory and ready for final connection to a 115/60/1 phase 15 amp dedicated outlet. Cord and plug set included.



115/60/1  
NEMA-5-15R

**OPTIONAL FEATURES/ACCESSORIES**

Upcharge and lead time may apply.

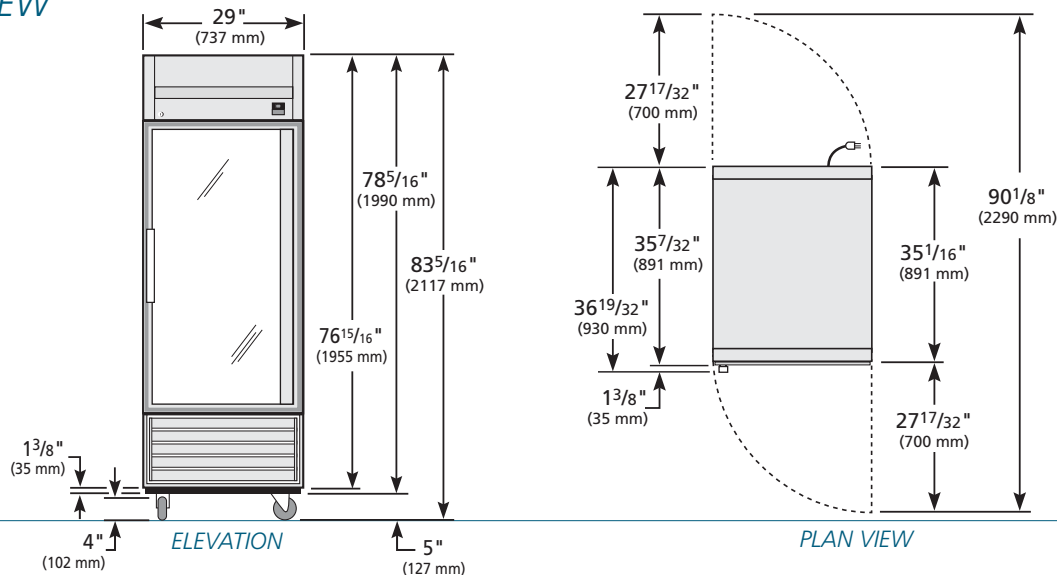
- 230 - 240V / 50 Hz.
- 6" (153 mm) standard legs.
- 6" (153 mm) seismic/flanged legs.
- Additional shelves.
- Remote cabinets (condensing unit supplied by others; system comes standard with 404A expansion valve and requires R404A refrigerant). Consult factory technical service department for BTU information.

**KIT OPTIONS**

Upcharge applies. Lead times may apply.

- Kit #1: Nine (9) sets of #1 type tray slides and pilasters (field installed) (shipped separately), bottom support of one (1) 18" L x 26" D (458 mm x 661 mm) pan or two (2) 14" L x 18" D (356 mm x 458 mm) pans.
- Kit #2: One (1) set half-section #2 steel rod tray slides and pilasters (field installed) (shipped separately), rim support of one (1) 18" L x 26" D (458 mm x 661 mm) pan.
- Kit #3: Six (6) sets of universal type tray slides and pilasters (field installed) (shipped separately), bottom support of one (1) 18" L x 26" D (458 mm x 661 mm) pan, two (2) 12" L x 20" D (305 mm x 508 mm) pans or two (2) 14" L x 18" D (356 mm x 458 mm) pans.
- Kit #4: Three (3) PVC coated wire shelves 25" L x 26<sup>9</sup>/<sub>16</sub>" D (635 mm x 674 mm) (shipped separately). Four (4) shelf support knobs included per shelf (field installed); adjustable on 6" (153 mm) increments.
- Additional kit option components available individually.

**PLAN VIEW**



**WARRANTY**  
 One year warranty on all parts & labor and an additional 4 year warranty on compressor. (U.S.A. only)

METRIC DIMENSIONS ROUNDED UP TO THE NEAREST WHOLE MILLIMETER  
 SPECIFICATIONS SUBJECT TO CHANGE WITHOUT NOTICE



Model	Elevation	Right	Plan	3D
TS-28G-PT	TFGY25E	TFGY25S	TFGY23P	TFGY253

**TRUE FOOD SERVICE EQUIPMENT**