

Project

Item #

Quantity



GLOBE FOOD EQUIPMENT COMPANY

Manual Slicer

4600P



4600P Manual Slicer

Protech™ Model

4600P - Manual Slicer



Made in the U.S.A.



Standard Features

- Exclusive stainless steel construction
- EZ-Glide™ chute and slice table system
- 13" *PreciseEdge*™ hardened steel alloy knife
- Powerful 1/2 HP, 7 amp motor
- Premium gear driven knife
- Maintenance-free drive system
- Built in antimicrobial protection
- Precision gear slice thickness adjustment
- Table lockout
- Open space base design
- Knife cover interlock
- Signature knife sharpening system
- Permanently attached knife ring guard
- Home position start
- Automatic shut off
- Full gravity feed, 45° angle
- 3 lb. stainless steel endweight
- Cleaning brace
- Touch pad controls
- Power indicator light
- No voltage release

*Features a 13" **PreciseEdge**™ knife, a premium gear drive system, stainless steel construction, and Globe's exclusive **EZ-Glide**™ system.*

Options and Accessories

- Quick-Clean*™ proprietary nickel-based coating (knife cover and slice table)
- Front mounted endweight assembly
- Unique dual arm lift lever
- Prison package
- High moisture application package (includes stainless steel knife)
- 15" long food chute
- Stainless steel knife
- Endweight with meat prongs
- Low food fence (12"L x 1 3/8"H)
- High food fence (12"L x 3"H)
- 3" extension legs
- 10 lb. attachable portion control scale
- Vegetable hopper
- Clear plastic slicer cover

Standard Warranty

- Two-years parts and one-year labor plus 15 years on the knife drive gears

Approved By: _____

Date: _____



GLOBE FOOD EQUIPMENT COMPANY

www.globeslicers.com

2153 Dryden Rd.
Dayton, OH 45439
Phone: 937-299-5493
Phone: 800-347-5423
Fax: 937-299-4147



Specifications

Finish: Exclusive all stainless steel base with radiused corners improves sanitation and durability. Other stainless steel parts include the food chute, slicing table, endweight, and knife cover.

Knife Motor: Powerful 1/2 HP, 7 amp, 115/60/1, air cooled, permanently lubricated sealed ball bearings. Solid state start relay.

Knife Drive: Cross axis helical gear drive design. This maintenance free drive design is continuously lubricated ensuring quiet operation and reliable cutting performance.

Slice Thickness: Precision dual gear design eliminates table movement during slicing. Consistently produces tissue thin slices with a maximum slice thickness of 1 1/4" thick.

Antimicrobial Protection: Knobs and handles have antimicrobial protection built in, which inhibits the growth of bacteria and provides superior sanitation.

Full Gravity Feed: Full 45° angle feed requires less mechanical pressure. Equipped with a 3 lb. stainless steel endweight to minimize waste and hold product. Food chute handle is ergonomically designed and the endweight swings away for storage behind the chute.

EZ-Glide™ Slicing System:

Specially engineered chute gliding system and slice table provides minimal food contact on table for smooth and effortless slicing.

Home Position Start: Food chute must be pulled to the position closest to the operator to start the slicer. This forces the operator to follow proper operating procedures.

Cleaning Brace: A metal brace under the slicer drops into position, tilting the slicer to facilitate safe and easy cleaning underneath the slicer.

Table Lockout: Once the table is closed and the knife cover is removed, the table cannot be opened. The table fully covers the knife's cutting edge protecting the operator during cleaning.

Knife Cover Interlock: Slicer will not operate with knife cover removed.

Automatic Shut Off: Slicer automatically shuts off after 10 seconds of no chute movement.

Knife Ring Guard: Permanently mounted knife ring guard covers the non-slicing portion of the knife protecting the operator from the knife's edge.

Top Mounted Sharpener: Metal knife sharpener is permanently mounted on the slicer. A single lever activates the stones to quickly and easily return a razor sharp cutting edge.

Hollow Ground Knife: 13" diameter special hardened steel alloy knife with stain resistant finish and sanitary hub provides increased cutting capacity, clean cuts, and effortless slicing. Knife's edge has a Rockwell hardness of 60-62.

No Voltage Release: Prevents inadvertent reactivation of slicer in the event of power or interlock interruption.

Cutting Capacity: Width 11.6" (29.5 cm), Height 9" (22.9 cm), Diameter 7.5" (19 cm)

Touch Pad Controls: Smooth moisture proof start/stop touch pad controls provide exceptional reliability and are simple to clean and operate.

Power Indicator Light: A readily visible red light illuminates when the knife is rotating.

Cord & Plug: Attached 7 foot flexible 3 wire cord with molded plug fits a grounded receptacle.

Dimensions:

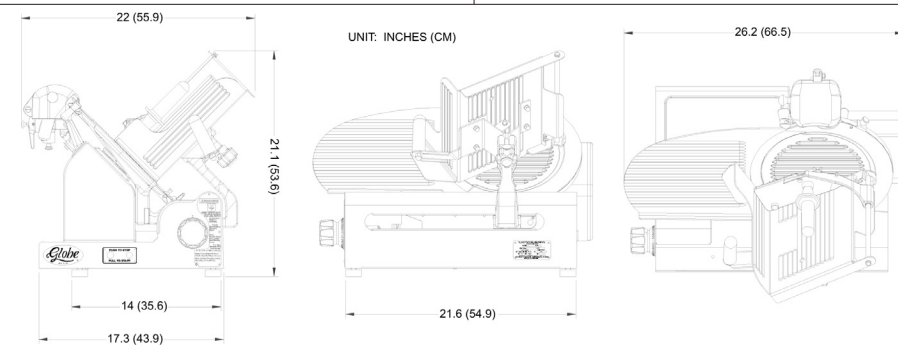
Foot Print = 14" x 21.6"
(35.6 cm x 54.9 cm)
Overall Length = 26.2" (66.5 cm)
Overall Width = 22" (55.9 cm)
Overall Height = 21.1" (53.6 cm)
Freight Class: 77.5
Net Weight: 112 lbs. (50.8 kg)
Shipping Weight: 143 lbs. (65 kg)
Shipping Dimensions:
28"W x 25"D x 28"H
(71.1 cm x 63.5 cm x 71.1 cm)

Factory Installed Options:

Quick-Clean™	Quick-Clean™ proprietary nickel-based coating (knife cover and slicing table)
FMEW	Front mounted endweight
LEVER	Dual arm lift lever
PRISON	Prison package
MEATROOM	High moisture application package
LONGCHUTE	15" long food chute
SSK	Stainless steel knife
PRONGS	Endweight with meat prongs

Accessories:

1326	High fence (12" x 3")
1047	Low fence (12" x 1 3/8")
873-SET	3" extension legs
PS13	10 lb. attachable portion control scale
699-BAS	Vegetable hopper
SC-LARGE	Clear plastic slicer cover



GLOBE FOOD EQUIPMENT COMPANY

www.globeslicers.com

2153 Dryden Rd.
Dayton, OH 45439
Phone: 937-299-5493
Phone: 800-347-5423
Fax: 937-299-4147

Printed in U.S.A.

04-2010