

Project

Item #

Quantity



GLOBE FOOD EQUIPMENT COMPANY

Price Computing Scales

GS130/GS130T



GS130



GS130T



GS130/GS130T Price Computing Scales

Models

- GS130 - Price Computing Scale
- GS130T - Price Computing Scale with Display Tower



NTEP Approved
Meets NIST
Handbook 44 Criteria
Legal for Trade



Standard Features

- Weighs from .01 lb. to 30 lbs.
- Adds multiple transactions up to \$9,999.99
- Automatic or digital entry tare
- 15 One-touch preset keys
- Fluorescent tube display of weight, unit price, and total price
- Stainless steel recessed platter
- 6 foot 115 volt power cord and molded plug

Standard Warranty

- 1 year parts and labor

Optional Accessory

- Plastic scale scoop (10" diameter x 2.5" deep)



Approved By: _____

Date: _____



GLOBE FOOD EQUIPMENT COMPANY

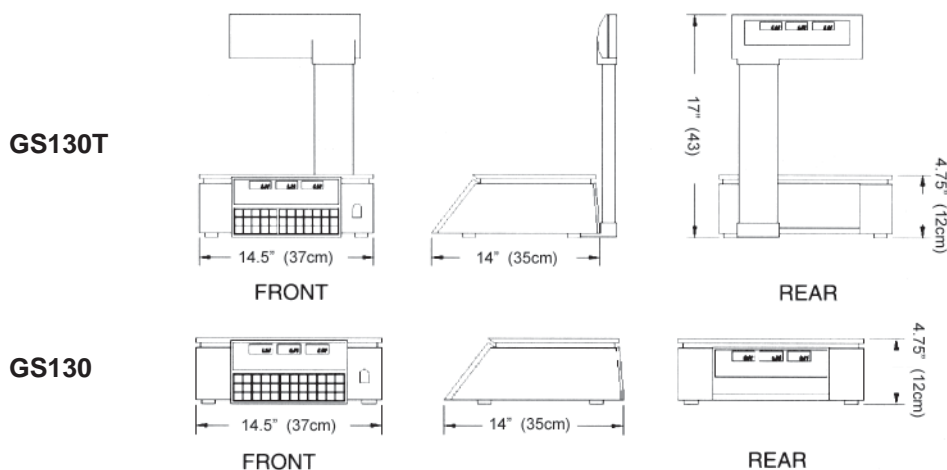
www.globeslicers.com

2153 Dryden Rd.
Dayton, OH 45439
Phone: 937-299-5493
Phone: 800-347-5423
Fax: 937-299-4147



Specifications

Capacity:	30 lbs. x .01 lb.
Platter Size:	13.75" x 9.75"
Construction:	Durable ABS (white), Stainless Steel Platter
Display:	Fluorescent, Tube, .5" High
Display Information:	Weight, Unit Price, Total Price
Preset Pricing:	15 One-Touch Preset Keys
Power Requirements:	115V, 60 Hz, 1 Ph., .05 Amps
Operating Temperature:	14°F to 140°F
Cord and Plug: Grounded Receptacle	Attached 6 ft. Flexible 3 Wire Cord and Plug Fits
Tare:	Automatic or Digital Entry
Dimensions:	GS130 - 14.5"W x 14"D x 4.75"H (37cm W x 35cm D x 12cm H) GS130T - 14.5"W x 15.25"D x 17"H (37cm W x 39cm D x 43cm H)
Zero:	Auto Zero Tracking on Power Up
Keypad:	Laminated Membrane, Audible Tone Feedback
Accumulator:	Adds Multiple Transactions Up to \$9,999.99
Weight:	GS130 - Net 14 lbs. (6 kgs.), Shipping 17 lbs. (8 kgs.) GS130T - Net 15.5 lbs. (7 kgs.), Shipping 19 lbs. (9 kgs.)



GLOBE FOOD EQUIPMENT COMPANY

www.globeslicers.com

2153 Dryden Rd.
Dayton, OH 45439
Phone: 937-299-5493
Phone: 800-347-5423
Fax: 937-299-4147

Printed in U.S.A. 7-2007

Specifications are subject to change without notice.