

Project Name: \_\_\_\_\_ AIA#: \_\_\_\_\_

Model #: \_\_\_\_\_ Location: \_\_\_\_\_

SIS#: \_\_\_\_\_ Item #: \_\_\_\_\_ Quantity: \_\_\_\_\_



# Price Computing Scales

**Dual easy-to-view LCD display, accurate & versatile**

*Choose a model with or without the display tower.*



GS30T



GS30

Optional Scoop



### Models

- GS30
- GS30T (with display tower)

### Standard Features

- Legal for trade
- Built-in rechargeable battery or AC powered
- Easy to read dual LCD display, with .63" numerals, showing:
  - Weight
  - Unit price
  - Total price
- Automatic entry tare
- Adds multiple transactions
- Auto zero tracking on power up
- Automatic shut off if not used
- Weight capacity — .01 to 30 lbs.
- Easy to clean removable, 11.75" x 8.75" recessed stainless steel platter

### Warranty

- One year parts and labor

### Optional Item

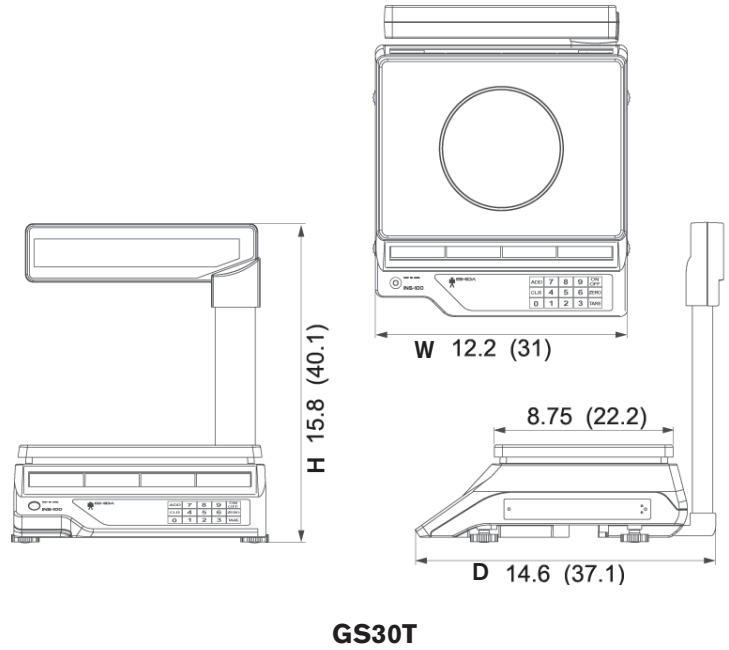
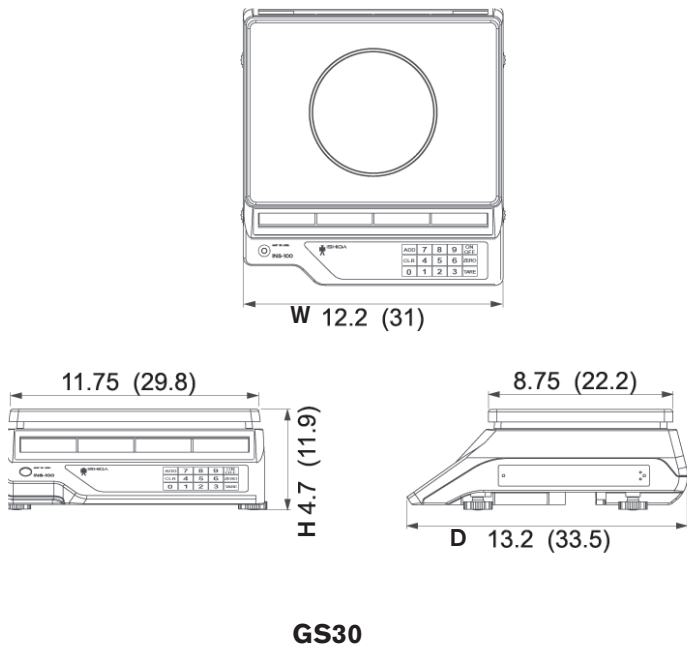
- Plastic scoop

*To select options, see complete list on back*




AutoQuotes

Approved by: \_\_\_\_\_ Date: \_\_\_\_\_



**Power Requirements:** 115-60-1, 0.1 AMP

**Cord and Plug:** Attached 6 ft. flexible 3 wire cord and plug, fits grounded receptacle, NEMA 5-15P 

### DIMENSIONS | SHIPPING INFORMATION

Reinforced carton for shipping. The weight and dimensions of this reinforced carton are included below and may vary from shipment to shipment.

	Overall Dimensions	Net Wt	Shipping Dimensions	Ship Wt
<b>GS30</b>	12.2" w x 13.2" d x 4.7" h (31 cm x 33.5 cm x 11.9 cm)	10.5 lbs (4.8 kg)	19" w x 17" d x 9" h (48 cm x 43 cm x 23 cm)	13.5 lbs (11.4 kg)
<b>GS30T</b>	12.2" w x 14.6" d x 15.8" h (31 cm x 37 cm x 40 cm)	12 lbs (5.4 kg)	20" w x 21.3" d x 10" h (51 cm x 43 cm x 25.4 cm)	15.5 lbs (7 kg)

Scale is legal for trade with dual LCD display of weight, unit and total price (separate model available with tower display). Unit has automatic entry tare, zero tracking on power up and auto shut off. Scale adds multiple transactions, weight capacity is .01 - 30 lbs. Includes stainless steel removable platter. Unit is UL and NTEP listed. One year parts and labor warranty.

**OPTIONAL ITEM:**  **SCOOP** Plastic scoop, 10" dia. x 2.5" deep