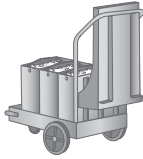


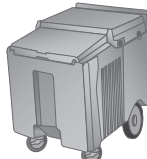







Bin accessory compatibility

Ice carts and Totes™ ice carrier accessory ordering guidelines

	SmartCART™ 75 Item# 00112771	SmartCART 125 Item# LSC125	SmartCART 240 Item# ROTOCART	Cambro® Cart - ICS125L Item# ICS125L	Totes Item# ABICETOTP
					
	Perfect for moving small quantities of ice to manually fill storage receptacles. 75 lb (34.0 kg) capacity. Includes 3 Totes ice carriers. 21.50"W x 34.00"D x 39.00"H (54.6 x 86.4 x 99.1 cm) Ship wt – 53 lb (24.1 kg)	Fully insulated poly with 125 lb (56.8 kg) capacity and flip-up lid makes an excellent working cart for portable bars. 22.50"W x 28.30"D x 33.50"H (57.2 x 71.8 x 85.1 cm) Ship wt – 60 lb (27.2 kg)	Fully insulated poly with removable lid. 240 lb (109.0 kg) capacity for transporting large quantities of ice. 24.25"W x 41.50"D x 35.75"H (61.6 x 105.4 x 90.8 cm) Ship wt – 75 lb (34.1 kg)	Fully insulated poly with slide back lid with 125 lb (56.8 kg) capacity. Perfect for sliding under bars. 23.00"W x 31.30"D x 29.25"H (58.4 x 79.5 x 74.3 cm) Ship wt – 70 lb (31.8 kg)	Comfortable handle, easy distribution of ice from longer side. Limits lifted load to 25 lb (11.4 kg). Set of 6. 7.12"W x 15.62.00"D x 15.00"H (18.08 x 39.7 x 38.1 cm) Ship wt – 34 lb (15.4 kg)
Compatible with bin model	✓ = may be ordered separately n/r = not recommended for use with model				
Slope Front	✓	✓	✓	✓	✓
Single Door Upright	✓	✓	✓	✓	✓
Double Door Upright	✓	✓	✓	✓	✓
Single Door Ice•DevIce™	✓	✓†	n/r	✓†	✓
Double Door Ice•DevIce	✓	✓†	n/r	✓†	✓
ITS - Ice Transport System	n/r	n/r	✓	n/r	✓

† Requires use of the 4.00" (10.16 cm) chute (item# ABDVCHUT4).

Ice bagging accessory ordering guidelines






	Bagger Kit Item# ABBAGGERKT	8 lb (3.6 kg) Ice Bag Item# 00116434	20 lb (9.1 kg) Ice Bag Item# 00138370	C-ring plier - Item# 00137711 C-ring - Item# 00137729
				
	Bagger kit includes bagger assembly, tape dispenser with tape and 250 plastic bags of 10 lb (4.5 kg) capacity. 11.00"W x 13.63"D x 29.00"H (27.9 x 34.6 x 73.7 cm) Ship wt – 20 lb (9.1 kg)	125 bags per wicket – 4 wickets per case. 1.25 mil poly bag. 10.50"W x 4.00"D x 19.00"H (26.7 x 10.16 x 48.3 cm) Ship wt – 16 lb (7.3 kg)	125 bags per wicket – 4 wickets per case. 2.25 mil poly bag. 14.00"W x 4.50"D x 27.00"H (35.6 x 11.43 x 68.6 cm) Ship wt – 25 lb (11.4 kg)	Bostitch® P-7 C-ring plier for bag closure. Automatic C-ring feed. Ship wt – 1 lb (0.45 kg) Aluminum blunt-end C-rings for use with Bostitch P-7 C-ring plier. 2500 per box. Ship wt – 2 lb (0.91 kg)
Compatible with bin model	✓ = may be ordered separately n/r = not recommended for use with model			
Slope Front	✓	n/r	n/r	n/r
Single Door Ice•DevIce†	✓	n/r	n/r	n/r
Double Door Ice•DevIce†	✓	n/r	n/r	n/r
Ice Pro™	n/r	✓	✓	✓

† Requires use of the 4.00" (10.16 cm) chute (item# ABDVCHUT4).





Bin accessory compatibility

Patent(s) pending

Shovel, scoop and paddle accessory ordering guidelines

	Paddle Item# ABICEPADDL46 46.50" (118.1 cm) or Item# ABICEPADDL 58.50" (147.3 cm)	Rake Item# AB36RAKE 38.00" (96.5 cm) or Item# ABICERAKE 50.00"(127.0 cm)	Shovel Item# ABICSHOVEL 37.00" (94.0 cm)	Scoop Item# 00146365L 64 oz (1.9 L)	Scoop Item# ABICESCOOP 82 oz (2.4 L)
					
	High density poly paddle breaks ice bridges with ease. Ship wt – 6 lb (2.72 kg)	Draws ice to front of bin for easier access. Vinyl handle, aluminum shaft, stainless steel rake head. Ship wt – 3 lb (1.36 kg)	Heavy duty poly construction. Efficient removal of ice from bin. Ship wt – 9 lb (4.09 kg)	San Jamar® Saf-T-Ice® Guardian system®. Minimizes contact with ice, includes storage rack for scoop. Ship wt – 6 lb (2.72 kg)	Large poly scoop for manual removal of ice from bins. Ship wt – 3 lb (1.36 kg)
Compatible with bin model	✓ = may be ordered separately n/r = not recommended for use with model				
	46.50" (118.1 cm)	58.50" (148.6 cm)	38.00" (96.5 cm)	50.00" (127.0 cm)	
Slope Front	✓	n/r	n/r	n/r	✓
Single Door Upright	✓	n/r	✓	n/r	✓
Double Door Upright	n/r	✓	n/r	✓	✓
Single Door Ice•Device	✓	n/r	✓	n/r	✓
Double Door Ice•Device	n/r	✓	n/r	✓	✓
Ice Transport System	n/r	✓	n/r	✓	✓
Ice Pro	n/r	n/r	n/r	n/r	n/r

Stainless steel leg accessory ordering guidelines

	6.00" (15.24 cm) with flanged feet set of (4) Item# ABSPECLEG3	8.00" (20.32 cm) bullet leg with stabilizer set of (4) Item# AB8INLEGSS	10.00" (25.4 cm) with flanged feet set of (4) Item# 00151647	12.00" (30.5 cm) bullet leg set of (4) Item# ABSPECLEG1
				
	Ship wt – 6 lb (2.72 kg)	Ship wt – 10 lb (4.6 kg)	Ship wt – 15 lb (6.8 kg)	Ship wt – 13 lb (5.9 kg)
Compatible with bin model	✓ = may be ordered separately n/r = not recommended for use with model			
Slope Front	✓	✓	✓	✓
Single Door Upright	✓	✓	✓	n/r
Double Door Upright	✓	✓	n/r	n/r
Single Door Ice•Device	n/r	n/r	✓	n/r
Double Door Ice•Device	n/r	n/r	n/r	n/r
ITS - Ice Transport System	n/r	n/r	n/r	n/r

Cambro is a registered trademark of Cambro Manufacturing Company in the US.

Bostitch is a registered trademark of Stanley Black and Decker.

Saf-T-Ice is a registered trademark of San Jamar, a division of the Coleman Group, Inc. in the US.

Ice•Device, Ice Pro, SmartCART and Totes are trademarks of Follett Corporation.

Follett is a registered trademark of Follett Corporation, registered in the US.

Follett reserves the right to change specifications at any time without obligation. Certifications may vary depending on country of origin.