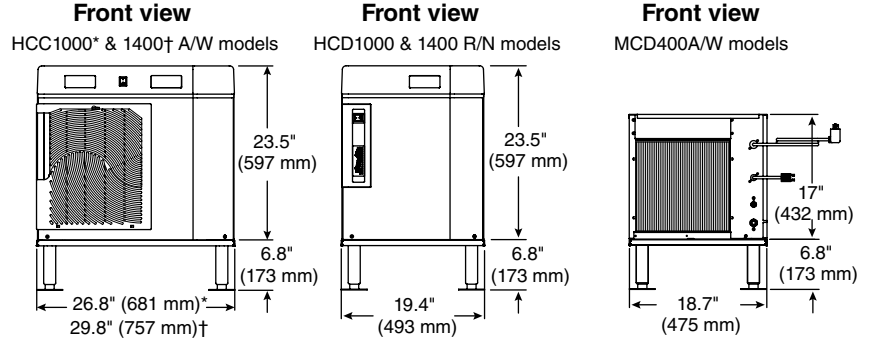


Accessories for Follett® Chewblet® ice icemakers

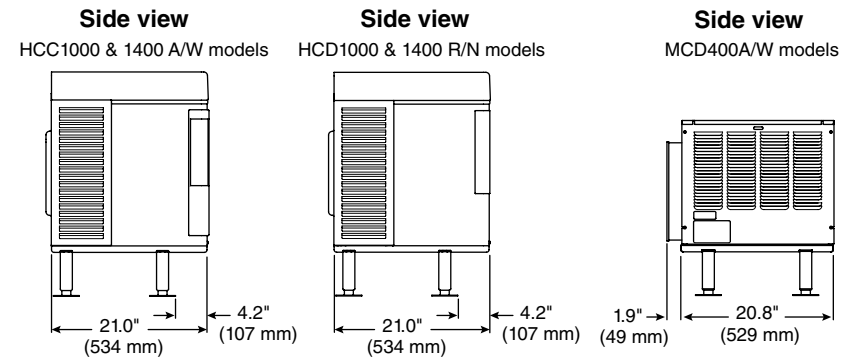
Icemaker stand



Stand for Satellite-fill™ Horizon™ and Maestro™ icemakers to elevate icemakers 6.8" (173 mm) to 8.3" (211 mm) above floor.



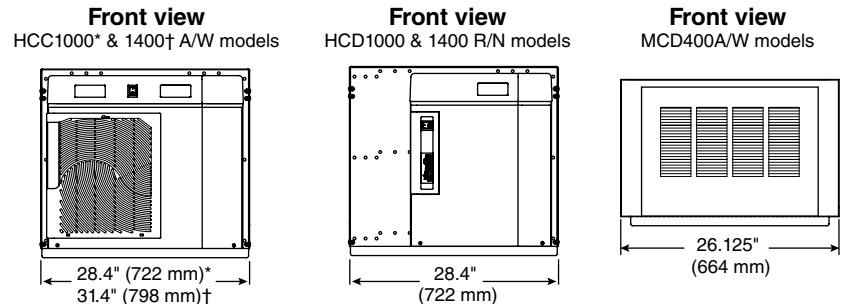
Icemaker stand	
Icemaker series	Accessory item#
MCD400	AFR400STND
HCC1000	00128553
HCD1000	00128561
HCC1400	00133926
HCD1400	00128561
Symphony CR and HR models	AFR400STND



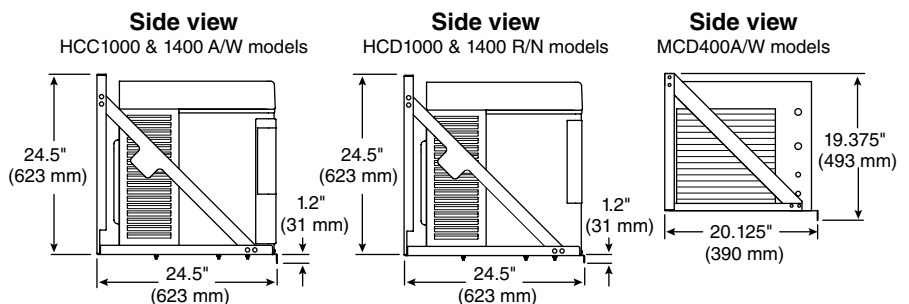
Wall mount bracket



Wall mount bracket for Satellite-fill icemakers conserves floor space. Allows icemaker to be located away from customer areas.



Icemaker wall mount bracket	
Icemaker series	Accessory item#
MCD400	AFWALLMTBRKT
HCC1000	00128587
HCD1000	00128587
HCC1400	00133934
HCD1400	00128587

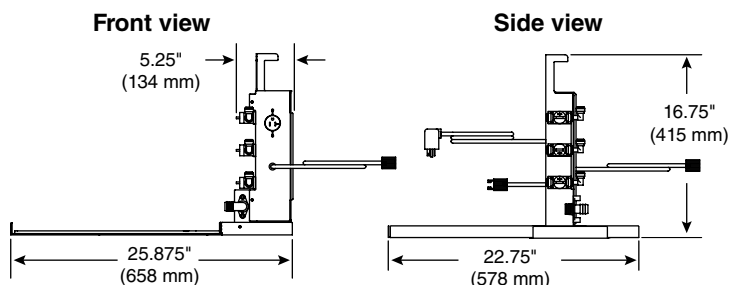


Accessories for Follett® Chewblet® ice icemakers

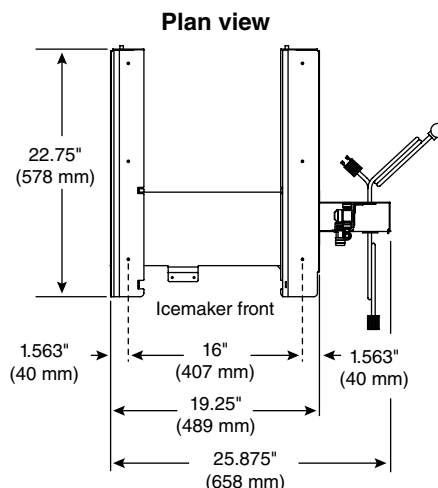
Slide-out stand



Slide-out accessory for Satellite-fill Maestro icemakers facilitates installation and service. Utility distribution panel allows easy connection of electric, incoming water and drain. Flexible connections from panel to icemaker allow icemaker to slide out for cleaning and service without disconnecting utilities. Includes front leg to support icemaker.



Slide-out accessory	
Icemaker model	Accessory item#
MCD400AVS	AFGLIDER400A
MCD400WVS	AFGLIDER400W
MCD400AHS	AFSLDFODAC
MCD400WHS	00114173
Symphony CR and HR models, air-cooled	AFGLIDER400A
Symphony CR and HR models, water-cooled	AFGLIDER400W



Line sets



Line sets for connecting Horizon HCD1000R and HCD1400R icemaker evaporator units to their remote condensing units.

35 ft (11 m) line set. 3/8" liquid, 5/8" suction (insulated) cleaned and capped. Not pre-charged with refrigerant. Connections must be brazed (no quick connect).

Line sets	
Icemaker model	Accessory item#
HCD1000	00193227
HCD1400	00193227

Timer



Timer to control one or two Horizon icemakers. For use with any Horizon icemaker.

Timer	
Icemaker model	Accessory item#
All Horizon icemakers	00967265

Horizon, Maestro and Satellite-fill are trademarks of Follett Corporation.
 Chewblet and Follett are registered trademarks of Follett Corporation, registered in the US.
 Follett reserves the right to change specifications at any time without obligation. Certifications may vary depending on country of origin.