



Model DEV2250-72 with SmartCART 75 ice cart

Easy, safe to use!

No motors or augers

A better way to remove and transport ice!



Ice flows smoothly through chute into Totes ice carrier when chute door is opened

Elevated, chuted ice storage bin and transport systems use gravity to dispense ice into cart. System provides exceptional labor-savings, sanitation and safety for foodservice operations using cube and Chewblet® ice. (Not recommended for flake ice.)

Each model includes full stainless exterior bin and base, top cut for specified icemaker, rotomolded polyethylene SmartCART™ ice cart with 3 polyethylene Totes™ ice carriers on a SmartCART 75, 82 oz plastic ice scoop, probe and rake tool set. Refer to chart on reverse for other configurations.

Wide range of sizes to meet varied needs

- Storage capacities from 2110 lbs (957 kg) to 4640 lbs (2105 kg)

Labor-saving ice removal

- Ice flows smoothly through chute into Totes ice carrier when chute door is opened
- Eliminates need to shovel or scoop ice from bin
- Reduces ice removal time by up to 75%

Faster, safer ice transport

- Slim, 21.5" (547 mm) wide cart safely moves 75 lbs (34 kg) of ice through narrow aisles (other cart sizes available)
- Oversized back wheels roll easily over safety mats and uneven floors

Safe, sanitary, easy ice distribution

- Rugged polyethylene Totes ice carrier limits lifted weight to 25 lbs (11 kg) for safer ice delivery
- Rectangular design facilitates transfer into beverage dispensers, wait stations and ice wells
- Dedicated-use, non-nesting Totes ice carriers deliver more sanitary ice
- Hinged lid reduces risk of airborne contamination during ice transport

Convenient, safer SmartGATE® ice shield access

- First ice in is first ice out
- Provides positive control of ice flow into access door area
- Slots allow safer breaking of ice bridges through gate, reducing ice spills
- Locks open in 3 positions
- Returns easily to full down position even when bin is full

Durable polyethylene lift doors with PowerHinge™ door hinge

- Doors stay open – no door catches to use
- No sharp corners to injure workers
- Molded-in gasket never needs to be replaced
- Easy one-hand open and close

Highest quality construction

- Non-corroding polyethylene liners eliminate pitting, corrosion, staining
- Stainless steel exterior including back and bottom
- Stainless steel base

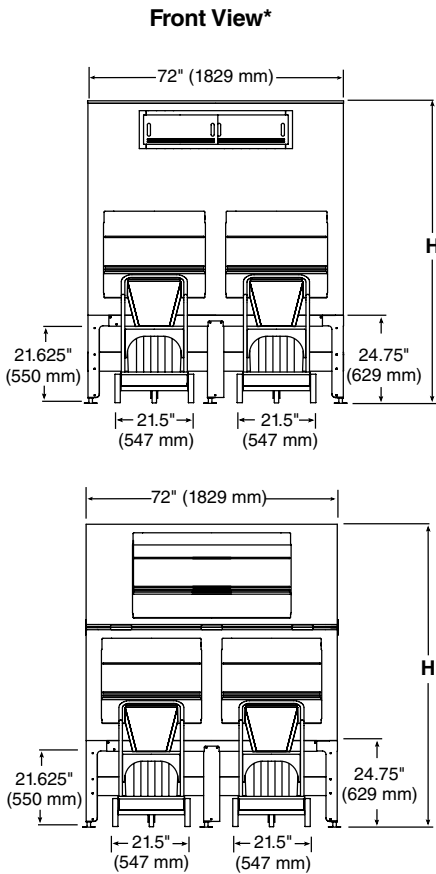
Optional accessories (refer to form# 3435)

- Additional cart and Totes ice carrier
- Drain pan (required for some Vogt icemakers; consult factory)
- Center bin partition

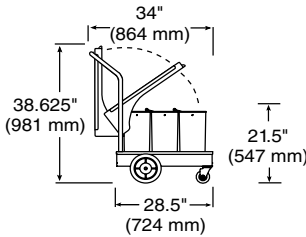
JOB: _____

ITEM: _____

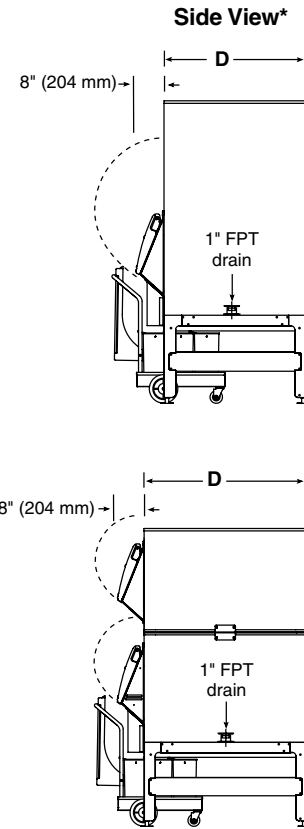
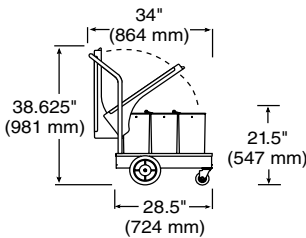
U.S. Patent 5,797,514 & 5,887,758



Models DEV2100, 2250, 2650



Models DEV3200, 3900, 4600



* Shown with SmartCART 75 ice cart

General notes

Follett® recommends installation of a floor drain with grate with all ice storage bins. Consider cart positioning when locating the drain. Clearance required to pull cart from below bin — minimum 26" (661 mm), optimal 40" (1016 mm).

Model Number	with SC75 Cart	with SC125 Cart	with Cambro Cart	Cubic Volume cu ft (m)	Max. Bin Capacity lb (kg) ¹	Width in (mm)	Depth (D) in (mm) ^{2,3,4}	Height (H) in (mm) ⁵	Req'd Door Access in (mm) ⁴	Approx. Ship Weight lb (kg) ²
DEV2100SG-72	-75	-125	-ICS125L	67.1 (1.90)	2110 (957)	72 (1829)	40 (1016)	75.5 (1918)	41 (1024)	841 (381)
DEV2250SG-72	-75	-125	-ICS125L	71.5 (2.02)	2250 (1021)	72 (1829)	48 (1220)	69.5 (1766)	46 (1169)	863 (344)
DEV2650SG-72	-75	-125	-ICS125L	84.0 (2.38)	2650 (1202)	72 (1829)	40 (1016)	85.5 (2172)	41 (1024)	943 (428)
DEV3200SG-72	-75	-125	-ICS125L	102.7 (2.90)	3240 (1470)	72 (1829)	48 (1220)	88.5 (2248)	35 (889)	1091 (495)
DEV3900SG-72	-75	-125	-ICS125L	125.1 (3.54)	3940 (1787)	72 (1829)	48 (1220)	100.5 (2566)	44 (1118)	1263 (573)
DEV4600SG-72	-75	-125	-ICS125L	147.4 (4.17)	4640 (2105)	72 (1829)	48 (1220)	112.0 (2845)	47 (1194)	1276 (579)

Notes:

- 1 Computed on cubic volume of bin. Does not reflect cart capacity or voids that can occur due to pyramiding.
- 2 Add 2" (51 mm) to depth and 10 lbs (4.5 kg) to shipping weight when drain pan accessory used.
- 3 Add 8" (204 mm) to depth (D) for lower door assembly (easily removed for installation access).
- 4 Required clearance for installation access through doors (may require removal of door assembly).
- 5 Special top required for icemakers weighing more than 1000 lbs (454 kg). Add 2.125" (54 mm) to height. Contact factory.

Specifications Ice•Devlce system to be Follett model _____ elevated bin, base and cart system with front ice chute and industry-exclusive SmartGATE ice shield. Bin to hold approximately _____ lbs (kg) of ice. Exterior finish of bin and base to be full stainless front, sides, back and bottom. Bin liner on all models to be heavy-duty, non-corroding polyethylene. Bin insulation to be non-CFC polyurethane foam. Bin top to be stainless and custom cut for icemaker(s) to be used. Lower door assembly to include non-corroding polyethylene snout, polyethylene lift door with PowerHinge door hinge to eliminate gaskets and latches, and inner SmartGATE ice shield to positively control ice flow into snout area. Entire lower door assembly to be easily removable for installation through narrow doors. Where used, upper inspection windows to be molded double-wall plastic to increase durability while minimizing meltage and condensation. All models to be equipped with flanged, adjustable feet. All models to have paddle and rake tool set and be NSF-listed.

Ice•Devlce, PowerHinge, SmartCART and Totes are trademarks of Follett Corporation. Chewblet, Follett and SmartGATE are registered trademarks of Follett Corporation, registered in the US. Follett reserves the right to change specifications at any time without obligation. Certifications may vary depending on country of origin.