



Horizon™

self-contained 1000,1400 series Chewblet® ice machine

Short form specification:

Ice machine to be a Follett® Horizon Chewblet ice machine model _____ [Insert size/series, condenser type & installation/mounting, from model number guide] capable of producing compressed nugget ice using an efficient, sanitary horizontal evaporator/auger system and delivering ice by a flexible wire reinforced transport tube to □ ice storage bin, □ ice and water dispenser, □ ice and beverage dispenser, □ drop-in dispenser or □ Ice Manager™ diverter valve system and provided with a stainless steel frame and exterior, slide-out compressor/condenser with utility docking station, front-mounted unit status display, automatic self-flush, and semi-automatic cleaning and sanitizing system, plus all the features listed below and mounting/performance-enhancing accessories checked:

Features

Horizon Chewblet ice machine with up to 1476 lb (669 kg) daily production of customer preferred Chewblet ice

- 1000 series - up to 1100 pounds (499 kg) in 24 hours
- 1400 series - up to 1476 pounds (669 kg) in 24 hours
- automatically transport ice through a tube with RIDE® technology from up to 75' (22.8 m) away (10' (3 m) for Micro Chewblet ice)
- chewable, compressed nugget ice is preferred over cubes¹
- Chewblet ice dispenses reliably from ice and beverage dispensers
- available with approximately 1.00" (2.54 cm) long standard Chewblet ice or optional 3/8" (0.95 cm) long Micro Chewblet ice
- environmentally responsible R404a refrigerant with zero ozone depletion potential
- water and energy efficient
- quiet production without noisy harvest cycles

Durable, attractive ice machine

- regular bearing inspection or replacement is not required
- easy-to-read LED operating status and diagnostic display
- smooth contours for aesthetically appealing appearance

Designed with sanitation in mind

- Agion® silver-based antimicrobial product protection of key ice and water contact components²
- aluminum-bronze evaporator has antimicrobial properties
- automatic self-flushing reduces water scale buildup
- floatless, sealed design inhibits formation of biofilms
- semi-automatic cleaning and sanitizing system

Agency approvals



Warranty

- 3 years parts and labor, 5 years compressor parts

Horizon self contained 1000,1400 series ice machine					
Use/application	Install/mount	Condenser	V/Hz/Ph	1000 series	1400 series
with ice storage bin	top mount	air	220/60/1	HCC1000ABT†	HCC1400ABT†
			230/50/1	HCE1000ABT	HCE1400ABT
		water	220/60/1	HCC1000WBT	HCC1400WBT
			230/50/1	HCE1000WBT	HCE1400WBT
	RIDE	air	220/60/1	HCC1000ABS†	HCC1400ABS†
			230/50/1	HCE1000ABS	HCE1400ABS
		water	220/60/1	HCC1000WBS	HCC1400WBS
			230/50/1	HCE1000WBS	HCE1400WBS
with Follett Vision™ dispenser	RIDE	air	220/60/1	HCC1000AVS†	HCC1400AVS†
			230/50/1	HCE1000AVS	HCE1400AVS
	water	220/60/1	HCC1000WVS	HCC1400WVS	
		230/50/1	HCE1000WVS	HCE1400WVS	
with ice and beverage dispenser (by others)	top mount	air	220/60/1	HCC1000AHT*†	HCC1400AHT*†
			230/50/1	HCE1000AHT*	HCE1400AHT
		water	220/60/1	HCC1000WHT*	HCC1400WHT*
			230/50/1	HCE1000WHT*	HCE1400WHT
	RIDE	air	220/60/1	HCC1000AHS†	HCC1400AHS†
			230/50/1	HCE1000AHS	HCE1400AHS
		water	220/60/1	HCC1000WHS	HCC1400WHS
			230/50/1	HCE1000WHS	HCE1400WHS
with drop-in dispenser (by others)	RIDE	air	220/60/1	HCC1000AJS†	HCC1400AJS†
			230/50/1	HCE1000AJS	HCE1400AJS
	water	220/60/1	HCC1000WJS	HCC1400WJS	
		230/50/1	HCE1000WJS	HCE1400WJS	
with Ice Manager diverter valve system	RIDE	air	220/60/1	HCC1000AMS†	HCC1400AMS†
		water	220/60/1	HCC1000WMS	HCC1400WMS

†ENERGY STAR® certified

* Requires Harmony™ top kit (see page 4 for part number)

NOTE: For Micro Chewblet ice, replace second character (C) with an M e.g. HMC1000ABT

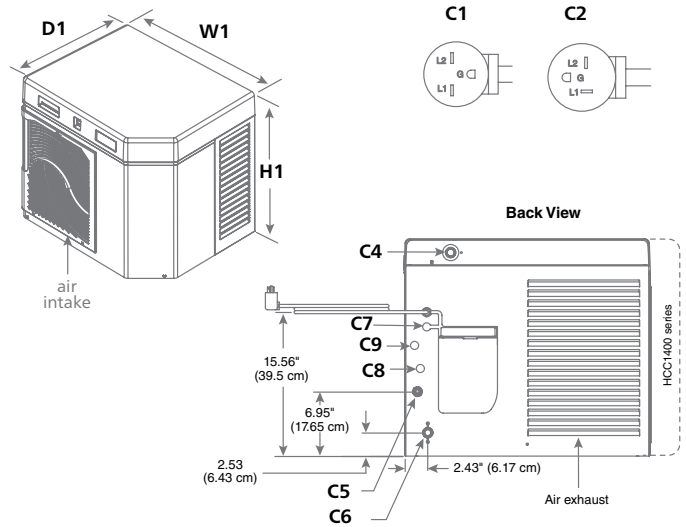
Job

Item

Accessories

- Harmony conversion top kit for ice and beverage dispensers (listed on page 4)
- Water filter kit (item# 00978957– see form# 9905 for details)
 - ___ ea. extra primary water filter cartridge
 - ___ ea. extra pre-filter cartridge
- Carbonless water filter kit (item# 01050426 – see form# 6380 for details)
- Wall mount bracket (item# 00997098 – see form# 3311 for details)
- Ice machine stand, height-adjustable (see form# 3311 for details)
- Timer to control one or two Horizon ice machines (see form# 3311 for details)
- Longer ice transport tube (10'3 m is standard) – Specify length: ___ ft/m in 5'/1.5 m increments
- Nu-Calgon® IMS-II sanitizer, 16 oz bottle (item# 00979674)
- SafeCLEAN™ environmentally responsible ice machine cleaner (item# 00132001)

Dimensional drawing



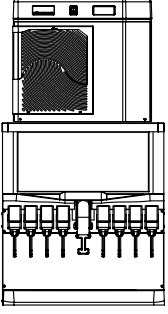
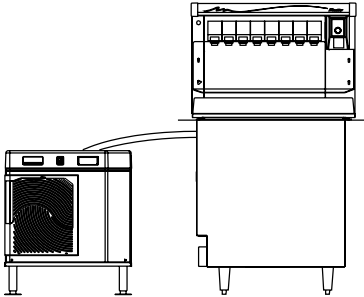
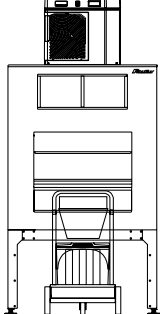
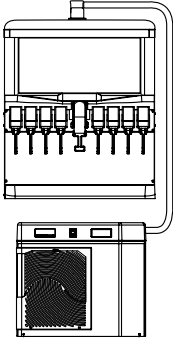
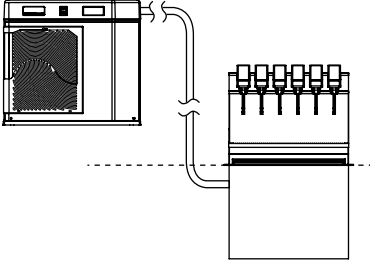
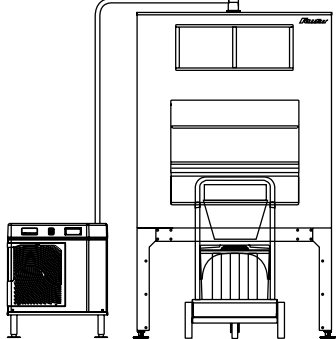
Specification

	Horizon 1000 series	Horizon 1400 series
W1 Width	26.62" (67.6 cm)	29.62" (75.2 cm)
D1 Depth	22.80" (61.6 cm)	23.80" (60.4 cm)
H1 Height	23.50" (59.7 cm)	23.50" (59.7 cm)
Ventilation clearance air-cooled models only	top mount – 1.00" (2.54 cm) RIDE – See page 5-6 for details	top mount – 1.00" (2.54 cm) RIDE – See page 5-6 for details
Electrical 220 V/60/1 – HCC models	C1 11 amps, requires dedicated 15 amp circuit, 7' (2 m) cord, NEMA 6-15 plug.	C2 12 amps, requires dedicated 20 amp circuit, 7' (2 m) cord, NEMA 6-20 plug.
Electrical 230 V/50/1 – HCE models	C1 11 amps, requires dedicated 15 amp circuit, 7' (2 m) cord, NEMA 6-15 plug.	C2 16 amps, requires dedicated 20 amp circuit, 7' (2 m) cord, NEMA 6-20 plug.
C4 Ice transport tube	see page 7 for details	see page 7 for details
C5 Water inlet	3/8" OD push-in water inlet	3/8" OD push-in water inlet
C6 Drain	3/4" MPT - vented T required	3/4" MPT - vented T required
C7 Ice bin signal cord	for Vision™ applications only	for Vision applications only
Water-cooled ice machine connections	C8 – 1/4" FPT condenser inlet, C9 – 1/4" FPT condenser outlet	C8 – 1/4" FPT condenser inlet, C9 – 1/4" FPT condenser outlet
Air temperature	50 - 100 F (10 - 38 C)	50 - 100 F (10 - 38 C)
Water temperature	45 - 90 F (7 - 32 C)	45 - 90 F (7 - 32 C)
Potable water pressure	10 - 70 psi (69 - 483 kPa)	10 - 70 psi (69 - 483 kPa)
Condenser water pressure	30 - 150 psi (207-1034 kPa)	30 - 150 psi (207-1034 kPa)
Ice production	see ice production charts on page 8	see ice production charts on page 8
Energy consumption 90 F (32 C) air, 70 F (21 C) water	air-cooled models – 5.2 kWh, water-cooled models – 4.2 kWh per 100 lb (45.4 kg) ice	air-cooled models – 5.2 kWh, water-cooled models – 3.8 kWh per 100 lb (45.4 kg) ice
Heat rejection - HCC models	air-cooled models – 11,300 BTU/hr, water-cooled models – 12,800 BTU/hr	air-cooled models – 16,000 BTU/hr, water-cooled models – 16,400 BTU/hr
Heat rejection - HCE models	air-cooled models – 11,300 BTU/hr, water-cooled models – 12,800 BTU/hr	15,500 BTU/hr
Water consumption	12.5 gal (47 L) of potable water per 100 lb (45.4 kg) of ice (per AHRI test standards) 13.6 gal (51 L) including periodic flushing	12.5 gal (47 L) of potable water per 100 lb (45.4 kg) of ice (per AHRI test standards) 13.2 gal (50 L) including periodic flushing
Water flow requirement for water-cooled models	140 gallons/100 lb of ice (530 L/45.4 kg), 0.5 gallons per minute	140 gallons/100 lb of ice (530 L/45.4 kg), 0.5 gallons per minute
Approximate ship weight	260 lb (118 kg)	290 lb (132 kg)

NOTE: For indoor use only

1 – Locating the ice machine

Horizon self-contained Chewblet ice machines allow top-mounting or mounting in a base cabinet, on a wall or on a floor stand up to 75' (22.8 m) from the dispenser or ice bin with RIDE technology (10' (3 m) for Micro Chewblet ice). In-cabinet mounting (RIDE applications) require special attention to service access, unit ventilation and ice tube runs (see pages 4-7).

<p>Top mounting – ice & beverage dispensers (by others)</p>	<p>RIDE model – Follett low-profile Vision ice & beverage dispensers</p>	<p>Top mount on Follett ice storage bins</p>
		
<p>Important specifier notes:</p> <ol style="list-style-type: none"> 1. Dispenser must be compatible with nugget ice. See page 4 for compatible ice and beverage dispenser models and top kit numbers. 2. Verify ceiling or soffit height to ensure sufficient top clearance. 	<p>Important specifier notes:</p> <ol style="list-style-type: none"> 1. See page 4-6 for critical clearance & venting requirements. 	<p>Important specifier notes:</p> <ol style="list-style-type: none"> 1. See form# B300 for bin sizing. 2. Verify ceiling or soffit height to ensure top clearance. 3. Locate floor sink or grate and drains in front of storage bin. 4. Do not position bin drain lines to block Ice•Device™ bin cart.
<p>RIDE model – ice & beverage dispensers (by others)</p>	<p>RIDE model – drop-in beverage dispensers (by others)</p>	<p>RIDE model – Follett ice storage bins</p>
		
<p>Important specifier notes:</p> <ol style="list-style-type: none"> 1. Dispenser must be compatible with nugget ice. Compatible dispensers include Cornelius DB/ID/DF150/175, Lancer 4500-22N, FS-16N, FS-22N & FS-44N, Servend MD150/175/200/250, SV175/200/250, MDH-402 and Coca-Cola Freestyle as well as dispensers listed on page 4. 	<p>Important specifier notes:</p> <ol style="list-style-type: none"> 1. Compatible with the following dispensers: Cornelius 1522, 1722, 2323, and Lancer 2200, 2300, 23300. 2. Require 12" (30.5 cm) of access space for installation on transport tube side. 	<p>Important specifier notes:</p> <ol style="list-style-type: none"> 1. See form# B300 for bin sizing. 2. Locate floor sink or grate and drains in front of storage bin. 3. Do not position bin drain lines to block Ice•Device bin cart.

1 – Locating the ice machine (continued)

Top mounting – compatible ice & beverage dispensers*

Manufacturer	Model Number	Width in (cm)	Depth† in (cm)	Height** in (cm)	Harmony top kit – specify "F" for front facing, or "B" for backward facing units	
					1000 series	1400 series
Lancer dispensers	4500-30N	30.00 (76.2)	30.50 (77.5)	36.50 (92.7)	HTL30SC-10F	HTL30SC-14F
	FS-30N	30.00 (76.2)	30.50 (77.5)	42.13 (107.0)	HTL30SC-10F	HTL30SC-14F
Cornelius dispensers	DB/ED/DF 200 series	30.00 (76.2)	30.00 (76.2)	34.38 (87.3)	HTC30SC-10F	HTC30SC-14F
	DB/ED/DF 250 series	30.00 (76.2)	30.00 (76.2)	38.38 (97.5)	HTC30SC-10F	HTC30SC-14F
	DB/ED/DF 300 series	44.0 (111.8)	30.00 (76.2)	34.00 (86.4)	HTC44SC-10 (F or B)	HTC44SC-14 (F or B)
	FlavorFusion / Overload	30.00 (76.2)	30.70 (78.0)	39.38 (100.0)	HTC30SC-10F-FF	HTC30SC-14F-FF
	IDC215	30.00 (76.2)	30.70 (78.0)	39.38 (100.0)	HTC30SC-10F-IDC	HTC30SC-14F-IDC
	IDC255	30.00 (76.2)	30.70 (78.0)	36.38 (92.4)	HTC30SC-10F-IDC	HTC30SC-14F-IDC
Servend dispensers	MDH-302	42.80 (108.7)	31.00 (78.7)	32.38 (82.2)	HTS44SC-10 (F or B)†	HTS44SC-14 (F or B)†

*All approved dispensers can be filled with a RIDE model Horizon ice machine without a top kit.

† Requires minimum 1" (2.54 cm) clearance between back of dispenser and wall.

** Net height after installation of top kit (excluding height of ice machine).

2 – Undercounter/in-cabinet mounting

Cabinet details

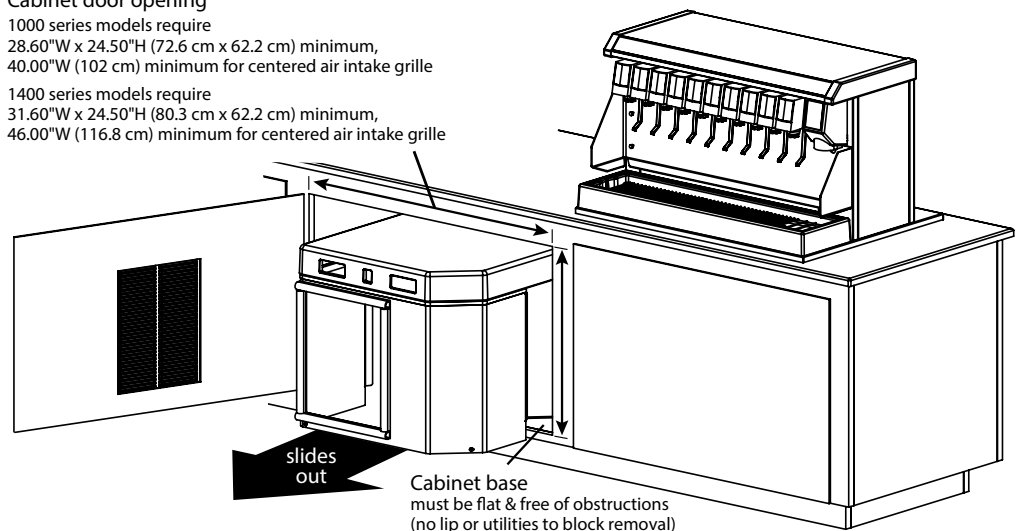
Important specifier notes

1. Cabinet door opening must meet minimum size requirements shown and be free of obstructions to allow ice machine to slide out (no lip or utilities to block removal).
2. Cabinet base must be capable of supporting ice machine and allow ice machine to rest flat on cabinet bottom.
3. No counter supports, electric or plumbing can run in front of the ice machine.

Cabinet door opening

1000 series models require
28.60"W x 24.50"H (72.6 cm x 62.2 cm) minimum,
40.00"W (102 cm) minimum for centered air intake grille

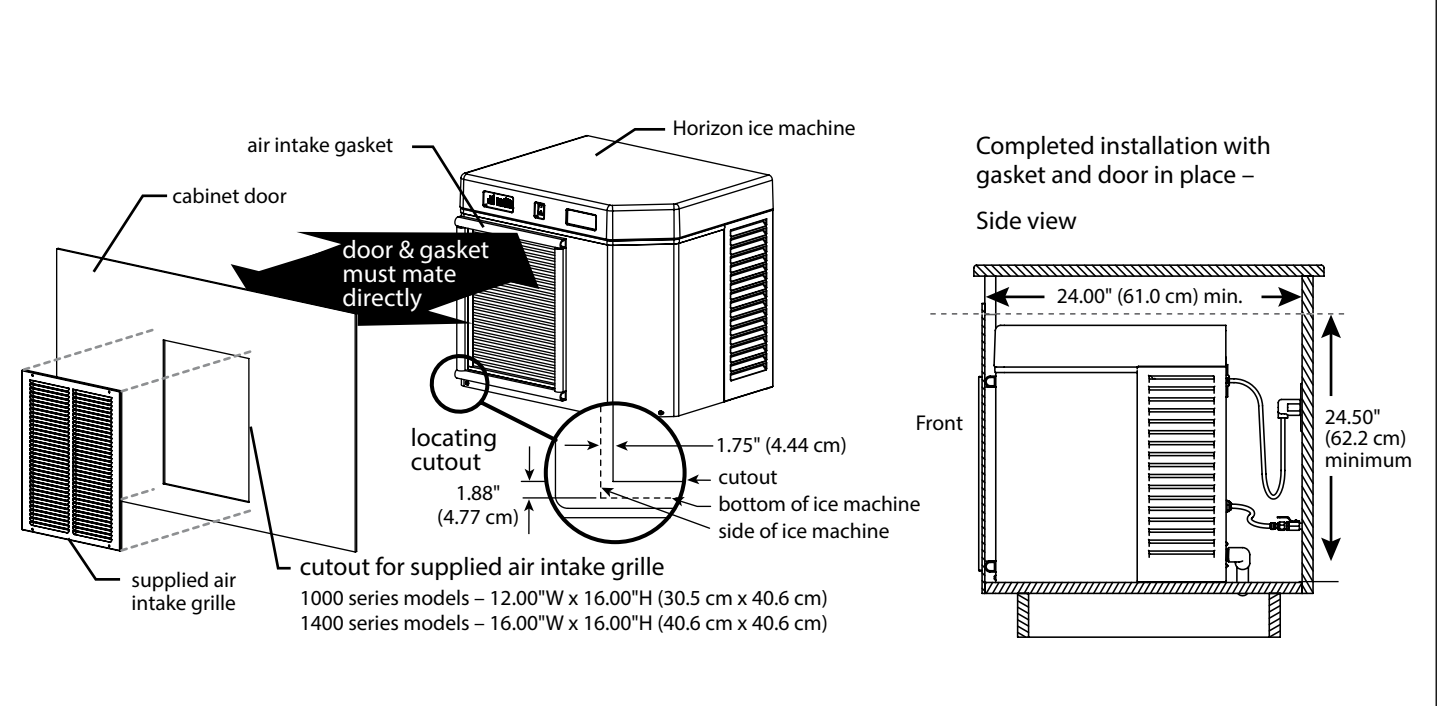
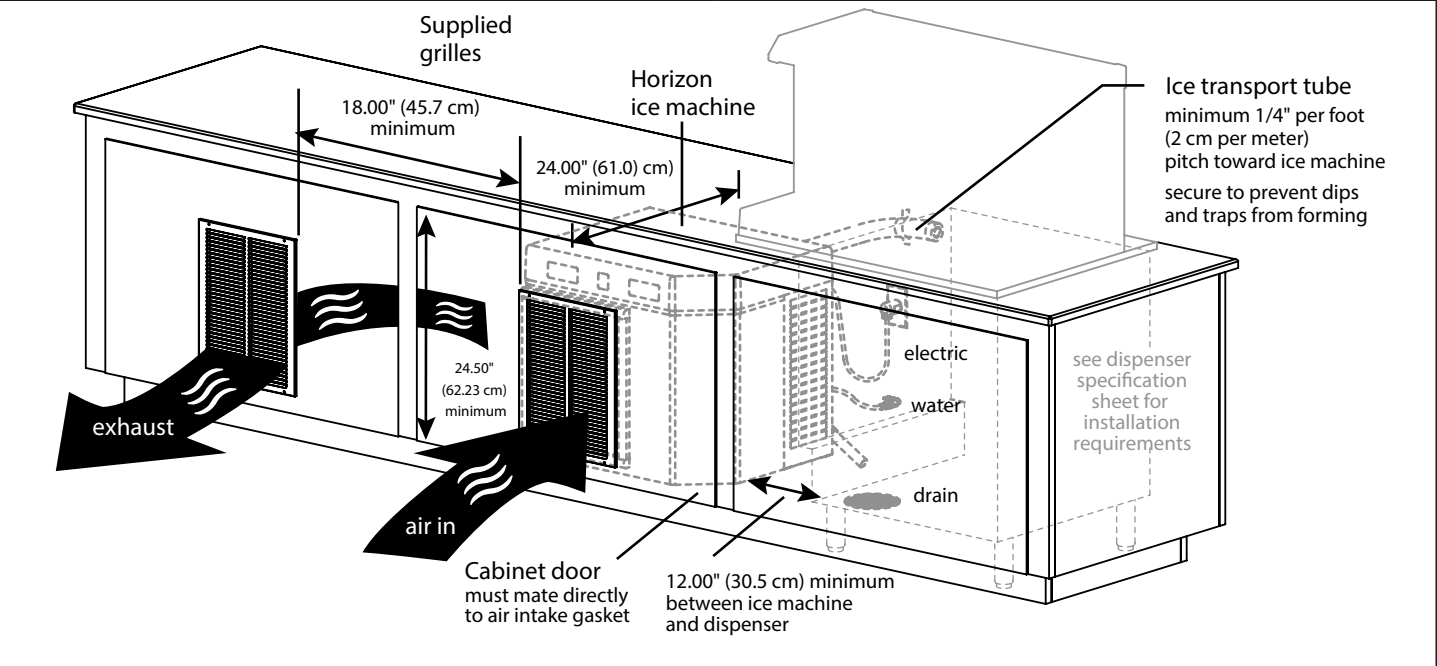
1400 series models require
31.60"W x 24.50"H (80.3 cm x 62.2 cm) minimum,
46.00"W (116.8 cm) minimum for centered air intake grille



3 – Undercounter/in-cabinet mounting and ventilation

Using Follett supplied grilles

Horizon ice machines can be installed undercounter/in-cabinet to fill bins or dispensers using RIDE technology. Care must be taken to ensure proper cabinet venting to avoid recirculation of hot air. Improper venting can cause ice machine outages.



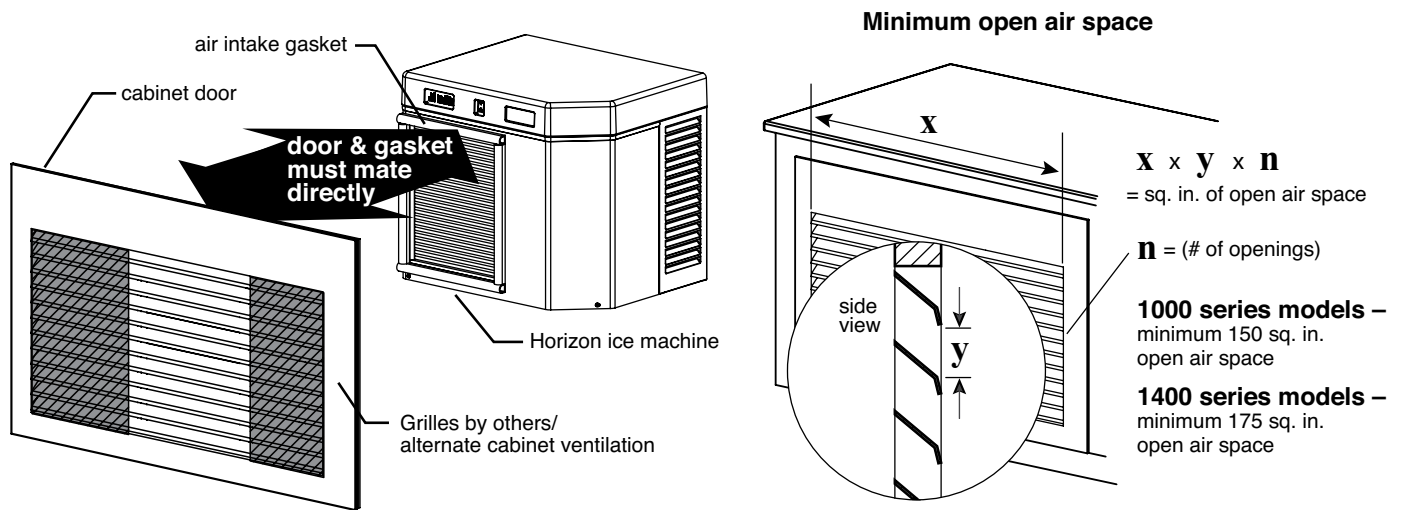
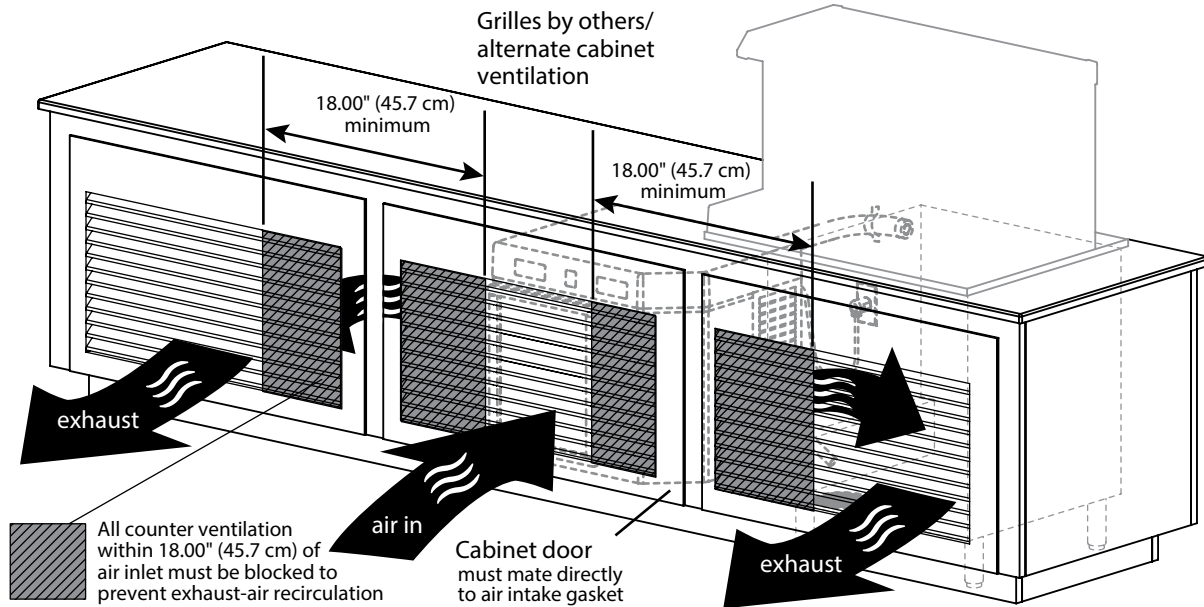
Important specifier notes for using Follett supplied grilles:

- | | |
|---|---|
| <ol style="list-style-type: none"> 1. The supplied exhaust grille must be located at least 18.00" (45.7 cm) from the supplied air intake grille (exhaust air must not recirculate with intake air). 2. Cabinet interior must be open to allow for unrestricted exhaust air flow. 3. Ice transport tube needs minimum 1/4" per foot (2 cm per meter) pitch toward ice machine and should be secured to prevent dips and traps from forming. | <ol style="list-style-type: none"> 4. Cabinet door must mate directly to air intake gasket. 5. Cabinet interior must provide a minimum clear space of 24.50" deep (62.2 cm) by 22.25" high (56.5 cm). 6. Cutout for supplied grilles must meet minimum size requirements shown above. 7. Utilities should be conveniently located as shown. |
|---|---|

3 – Undercounter/in-cabinet mounting and ventilation (continued)

Using grilles by others/alternate cabinet ventilation

Cabinets with ventilation or louvers other than those provided require special consideration to provide proper ventilation. Recirculation of hot air will reduce ice machine performance and can cause ice machine outages.

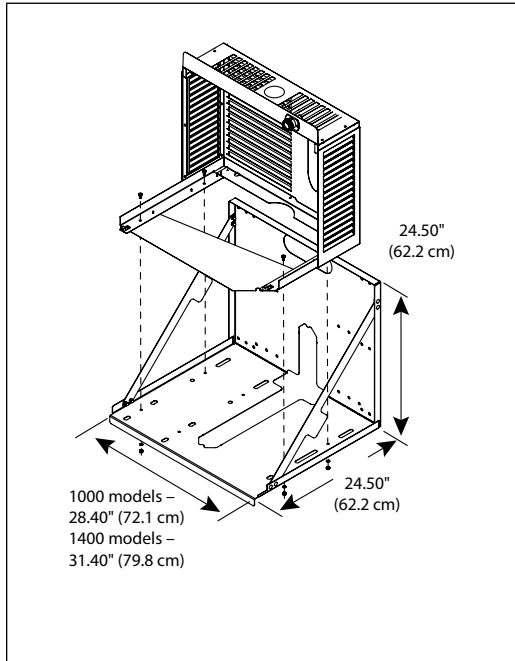


Important specifier notes for using grilles supplied by others/alternate cabinet ventilation:

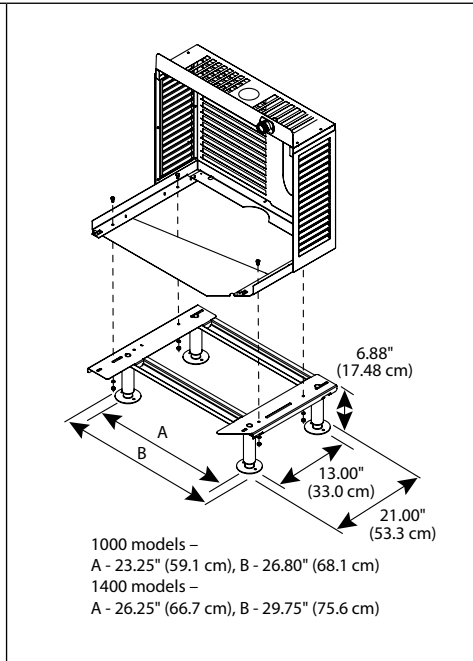
1. Exhaust must be at least 18.00" (45.7 cm) from air intake (exhaust air must not recirculate with intake air).
2. Cabinet interior must be open to allow for unrestricted exhaust air flow.
3. Ice transport tube needs minimum 1/4" per foot (2 cm per meter) pitch toward ice machine and should be secured to prevent dips and traps from forming.
4. Ducting must be provided if cabinet door does not mate directly to air intake gasket.
5. Cabinet interior must provide a minimum clear space of 24.50" deep (62.2 cm) by 22.25" high (56.5 cm).
6. Grilles by others must meet minimum requirements for open air space shown above.
7. Utilities should be conveniently located as shown.

4 – Horizon ice machine mounting accessories

Optional wall mount bracket



Optional machine stand

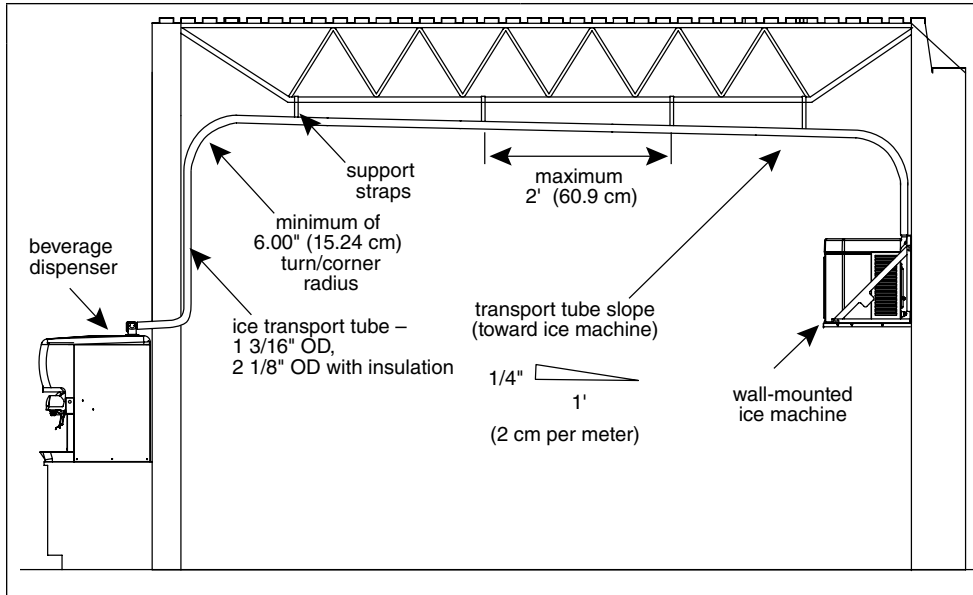


Important specifier notes:

1. For secure wall mounting, specify optional wall mount bracket.
2. Wall and fasteners must support the weight of the ice machine, bracket, supply water and ice. Use of a backing board may be required with hollow wall construction.
3. Machine stand mounting adds 6.88" (17.48 cm) to height of ice machine.
4. No dips in tube routing allowed.
5. Ice transport tube needs minimum 1/4" per foot (2 cm per meter) pitch toward ice machine and should be secured to prevent dips and traps from forming.

5 – Horizon ice tube runs - specifier guidelines

Long tube runs for RIDE remote ice delivery equipment



Important specifier notes:

1. 75' (22.8 m) maximum ice transport tube run (10' (3.04 m) for Micro Chewblet ice).
2. Tubing routing bends must have a 6.00" (15.24 cm) radius or larger.
3. If not supported from underneath, secure insulated ice transport tube at least every 2' (60.9 cm) to prevent dips or traps.
4. Relative humidity levels above 80% in areas where the ice machine or ice transport tube are located may produce excessive condensation that will cause water damage.
5. Contact factory for recommendations on running tubing through a decorative soffit or chase.

Ice production – Horizon HCC1000 series, air-cooled

Inlet water temperature F (C)	Ambient air temperature F (C)					lb/kg production in 24 hr
	60 (16)	70 (21)	80 (27)	90 (32)	100 (38)	
50 (10)	1135 (515)	1100 (499)	962 (437)	828 (376)	786 (357)	
60 (16)	1070 (486)	1000 (454)	916 (416)	816 (371)	728 (331)	
70 (21)	1015 (461)	938 (426)	871 (395)	794 (361)	686 (312)	
80 (27)	967 (439)	902 (410)	826 (375)	755 (343)	654 (297)	
90 (32)	924 (420)	859 (390)	782 (355)	698 (317)	610 (277)	

Ice production – Horizon HCC1000 series, water-cooled

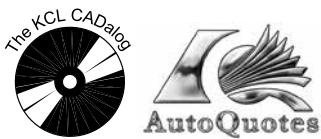
Inlet water temperature F (C)	Condenser water temperature F (C)					lb/kg production in 24 hr
	60 (16)	70 (21)	80 (27)	90 (32)	100 (38)	
50 (10)	1071 (486)	1035 (470)	975 (443)	885 (402)	762 (346)	
60 (16)	1025 (465)	979 (444)	912 (414)	826 (375)	723 (328)	
70 (21)	971 (441)	932 (423)	870 (395)	786 (357)	683 (310)	
80 (27)	912 (414)	888 (403)	839 (381)	759 (345)	642 (292)	
90 (32)	849 (386)	842 (382)	814 (370)	745 (338)	603 (274)	

Ice production – Horizon HCC1400 series, air-cooled

Inlet water temperature F (C)	Ambient air temperature F (C)					lb/kg production in 24 hr
	60 (16)	70 (21)	80 (27)	90 (32)	100 (38)	
50 (10)	1536 (697)	1452 (659)	1321 (599)	1217 (552)	1117 (507)	
60 (16)	1446 (656)	1361 (617)	1258 (570)	1176 (533)	1075 (488)	
70 (21)	1370 (621)	1281 (581)	1194 (541)	1122 (509)	1027 (466)	
80 (27)	1304 (591)	1212 (550)	1130 (513)	1089 (494)	976 (443)	
90 (32)	1246 (565)	1152 (523)	1067 (484)	991 (449)	922 (418)	

Ice production – Horizon HCC1400 series, water-cooled

Inlet water temperature F (C)	Condenser water air temperature F (C)					lb/kg production in 24 hr
	60 (16)	70 (21)	80 (27)	90 (32)	100 (38)	
50 (10)	1528 (693)	1476 (669)	1423 (646)	1371 (622)	1318 (598)	
60 (16)	1481 (672)	1429 (648)	1376 (624)	1324 (600)	1271 (576)	
70 (21)	1450 (658)	1398 (634)	1345 (610)	1293 (586)	1240 (562)	
80 (27)	1403 (637)	1351 (613)	1298 (589)	1246 (565)	1193 (541)	
90 (32)	1356 (615)	1304 (591)	1251 (568)	1199 (544)	1146 (520)	



Ice production – Horizon HCE1000 series, air-cooled

Inlet water temperature F (C)	Ambient air temperature F (C)					lb/kg production in 24 hr
	60 (16)	70 (21)	80 (27)	90 (32)	100 (38)	
50 (10)	1007 (457)	976 (443)	853 (387)	734 (333)	697 (316)	
60 (16)	950 (431)	887 (402)	812 (369)	724 (328)	645 (293)	
70 (21)	900 (408)	832 (377)	772 (350)	704 (319)	607 (276)	
80 (27)	858 (389)	800 (363)	732 (332)	669 (304)	579 (263)	
90 (32)	820 (372)	761 (345)	693 (314)	618 (280)	541 (245)	

Ice production – Horizon HCE1000 series, water-cooled

Inlet water temperature F (C)	Condenser water temperature F (C)					lb/kg production in 24 hr
	60 (16)	70 (21)	80 (27)	90 (32)	100 (38)	
50 (10)	950 (431)	919 (417)	865 (392)	785 (356)	675 (306)	
60 (16)	909 (413)	868 (394)	809 (367)	732 (332)	641 (291)	
70 (21)	862 (391)	827 (375)	771 (350)	697 (316)	605 (274)	
80 (27)	809 (367)	787 (357)	744 (337)	673 (305)	569 (258)	
90 (32)	753 (342)	746 (339)	722 (328)	660 (299)	534 (243)	

Ice production – Horizon HCE1400 series, air-cooled

Inlet water temperature F (C)	Ambient air temperature F (C)					lb/kg production in 24 hr
	60 (16)	70 (21)	80 (27)	90 (32)	100 (38)	
50 (10)	1367 (620)	1293 (586)	1175 (533)	1083 (491)	994 (451)	
60 (16)	1287 (584)	1211 (549)	1119 (508)	1047 (475)	957 (434)	
70 (21)	1219 (553)	1140 (517)	1062 (482)	999 (453)	914 (415)	
80 (27)	1160 (526)	1078 (489)	1006 (456)	969 (439)	868 (394)	
90 (32)	1109 (503)	1026 (465)	950 (431)	882 (400)	821 (372)	

Ice production – Horizon HCE1400 series, water-cooled

Inlet water temperature F (C)	Condenser water air temperature F (C)					lb/kg production in 24 hr
	60 (16)	70 (21)	80 (27)	90 (32)	100 (38)	
50 (10)	1360 (617)	1313 (596)	1267 (575)	1220 (553)	1173 (532)	
60 (16)	1318 (598)	1272 (577)	1225 (556)	1178 (534)	1131 (513)	
70 (21)	1291 (586)	1244 (564)	1197 (543)	1150 (522)	1103 (501)	
80 (27)	1249 (567)	1202 (545)	1155 (524)	1108 (503)	1062 (482)	
90 (32)	1207 (548)	1160 (526)	1114 (505)	1067 (484)	1020 (463)	

ENERGY STAR and the ENERGY STAR mark are registered US marks.

Agion is a registered trademark of Sciessent LLC.

1 Independent third party studies. Contact Follett for details.

2 Disclaimer: Antimicrobial protection is limited to the treated components and does not treat water or ice.

Calgon is a licensed tradename distributed by Nu-Calgon, in the United States.

Horizon, Vision, Ice•Device, Harmony, Ice Manager and SafeCLEAN are trademarks of Follett Corporation.

Chewblet, Follett and RIDE are registered trademarks of Follett Corporation, registered in the US.

Follett reserves the right to change specifications at any time without obligation. Certifications may vary depending on country of origin.

Self-contained 1000,1400 series ice machine