



U.S. Patents
7,263,844, 7,469,548
and 7,469,552

HCC1400WBS shown

Short form specification

Icemaker to be a Follett® Horizon Chewblet ice icemaker model HCC_____ [Insert size/series, condenser type & installation/mounting, from model number guide] capable of producing compressed nugget ice using an efficient, sanitary horizontal evaporator/auger system and delivering ice by a flexible wire reinforced, transport tube to □ ice storage bin, □ ice and water dispenser, □ ice and beverage dispenser, □ drop-in dispenser or □ Ice Manager™ diverter valve system and provided with a stainless steel frame and exterior, slide-out compressor/condenser with utility docking station, front-mounted unit status display, automatic self-flush, and semi-automatic cleaning & sanitizing system, plus all the features listed below and mounting/performance-enhancing accessories checked:

Horizon performance features

- Produces popular Chewblet ice (see Ice production tables on page 8):
- 1000 series - up to 1100 pounds (499 kg) in 24 hours or
- 1400 series - up to 1476 pounds (669 kg) in 24 hours
- Flexible tube ice-delivery-system allows Satellite-fill™ from up to 75 ft (22.9 m) from bin/dispenser
- Horizontal evaporator maximizes heat transfer & ice production
- Uses less water than cube icemakers
- Rejects less heat than a typical cube icemaker
- Quiet operation without noisy batch harvest cycles

Unique Chewblet ice advantages

- Consumer-preferred chewable ice for beverages
- More reliable dispensing compared to nugget or pellet ice
- Slow melting – maintains beverage temperature & quality
- Higher liquid displacement than cube ice

Key Horizon design features

- Compact design offers in-cabinet/undercounter, floor stand, wall bracket, on-fountain dispenser, or on-bin mounting
- Stainless steel frame & exterior
- Standard slide-out docking-station design allows removal of compressor/condenser without disconnecting utilities
- Unique auger design reduces loads on gearmotor, bearings and seals
- Easy-to-read LED operating status & diagnostic display
- 10 ft (3 m) flexible ice transport tube and insulation standard with Satellite-fill models
- Uses environmentally-friendly R404A refrigerant

Sanitation & safety features

- Aluminum-bronze evaporator has antimicrobial properties
- Automatic self-flushing reduces water scale buildup
- Floatless, sealed design inhibits formation of biofilms
- Semi-automatic cleaning & sanitizing system

Agency approvals



Product warranty

- 3 years, parts & labor
- 5 years parts on compressor

Available accessories

- Harmony™ conversion top kit for ice and beverage dispensers (see page 3 for compatible ice & beverage dispenser models and top kit numbers)
- Water filter kit (Item# 00130286 - see form# 9905 for dimensions)
 - ___ ea. extra primary water filter cartridge
 - ___ ea. extra pre-filter cartridge
- Wall mount bracket (see accessory form# 3311)
- Icemaker stand, height-adjustable (see accessory form# 3311)
- Timer to control one or two Horizon icemakers (see accessory form# 3311)
- Longer ice transport tube, specify length: ___ ft/m in 5 ft/1.5 m increments (10 ft/3 m is standard)

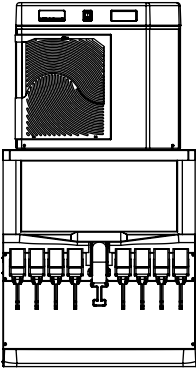
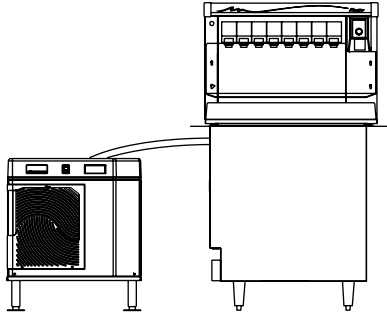
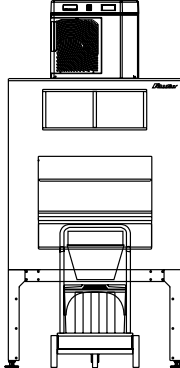
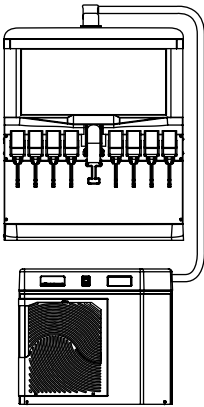
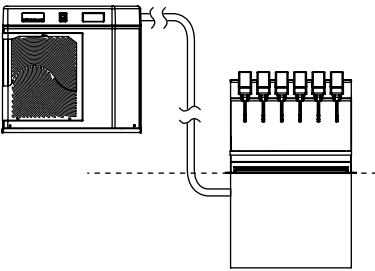
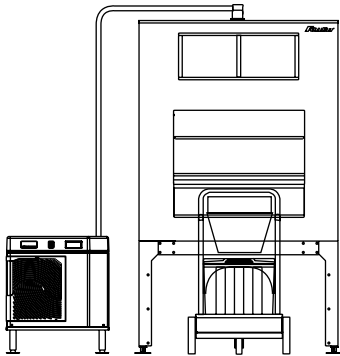
Model number guide

Use/application	Condenser type	Installation/mounting	
		top mounted	Satellite-fill
with ice storage bins	air-cooled	HCC1000ABT HCC1400ABT	HCC1000ABS HCC1400ABS
	water-cooled	HCC1000WBT HCC1400WBT	HCC1000WBS HCC1400WBS
with Follett Vision™ line dispensers	air-cooled		HCC1000AVS HCC1400AVS
	water-cooled		HCC1000WVS HCC1400WVS
with ice/beverage dispensers (by others)	air-cooled	HCC1000AHT* HCC1400AHT*	HCC1000AHS HCC1400AHS
	water-cooled	HCC1000WHT* HCC1400WHT*	HCC1000WHS HCC1400WHS
for drop-in dispensers	air-cooled		HCC1000AJS HCC1400AJS
	water-cooled		HCC1000WJS HCC1400WJS
with Ice Manager diverter valve system	air-cooled		HCC1000AMS HCC1400AMS
	water-cooled		HCC1000WMS HCC1400WMS

* Requires Harmony top kit (see page 3 for part number)

1 Locating the icemaker

Horizon self-contained Chewblet ice icemakers allow top-mounting or Satellite-fill ice through a tube technology with icemaker mounting in a base cabinet, on a wall or on a floor stand up to 75 ft (22.9 m) from the dispenser or ice bin. In-cabinet mounting and Satellite-fill applications require special attention to service access, unit ventilation and **ice tube runs** (see page 3-5).

Top mounting – ice & beverage dispensers (by others)	Satellite-fill – Follett low-profile Vision ice & beverage dispensers	Top mount on Follett ice storage bins
		
<p>Important specifier notes:</p> <ol style="list-style-type: none"> 1. Dispenser must be compatible with nugget ice. See page 3 for compatible ice & beverage dispenser models and top kit numbers. 2. Verify ceiling or soffit height to ensure sufficient top clearance. 	<p>Important specifier notes:</p> <ol style="list-style-type: none"> 1. See page 3-5 for critical clearance & venting requirements. 	<p>Important specifier notes:</p> <ol style="list-style-type: none"> 1. See form# B300 for bin sizing. 2. Verify ceiling or soffit height to ensure top clearance. 3. Locate floor sink or grate & drains in front of storage bin. 4. Do not position bin drain lines to block Ice•Devlce™ bin cart.
Satellite-fill – ice & beverage dispensers (by others)	Satellite-fill – drop-in beverage dispensers (by others)	Satellite-fill for Follett ice storage bins
		
<p>Important specifier notes:</p> <ol style="list-style-type: none"> 1. Dispenser must be compatible with nugget ice. See page 3 for compatible ice & beverage dispenser models. 	<p>Important specifier notes:</p> <ol style="list-style-type: none"> 1. See form# 3425 for qualified applications. 	<p>Important specifier notes:</p> <ol style="list-style-type: none"> 1. See form# B300 for bin sizing. 2. Locate floor sink or grate & drains in front of storage bin. 3. Do not position bin drain lines to block Ice•Devlce bin cart.

1 Locating the icemaker (continued)

Top mounting – compatible ice & beverage dispensers*

Manufacturer	Model Number	Width in (cm)	Depth in (cm)	Height** in (cm)	Harmony top kit – specify “F” for front facing, or “B” for backward facing units
					HCC1000 series – air or water
Lancer dispensers	4500-30N	30.0 (76)	30.5 (78)	36.50 (93)	HTL30SC-10F
	FS-22N	22.0 (56)	30.5 (78)	42.13 (107)	Satellite-fill only
	FS-30N	30.0 (76)	30.5 (78)	42.13 (107)	HTL30SC-10F
	FS-44N #	44.0 (119)	30.5 (78)	42.13 (107)	Satellite-fill only
Cornelius dispensers	DB/ED/DF 200 series	30.0 (76)	30.0 (76)	34.38 (87)	HTC30SC-10F
	DB/ED/DF 250 series	30.0 (76)	30.0 (76)	38.38 (98)	HTC30SC-10F
	DB/ED/DF 300 series	44.0 (119)	30.0 (76)	34.00 (86)	HTC44SC-10 (F or B)
	FlavorFusion	30.0 (76)	30.7 (78)	39.38 (100)	HTC30SC-10F-FF
	IDC200	30.0 (76)	30.7 (78)	39.38 (100)	HTC30SC-10F-IDC
	IDC250	30.0 (76)	30.7 (78)	36.38 (92)	HTC30SC-10F-IDC
SerVend dispensers	MDH-302	42.8 (109)	31.0 (79)	32.38 (82)	HTS44SC-10 (F or B)†
	MDH-402	60.0 (152)	30.5 (78)	32.38 (82)	Satellite-fill only

*All approved dispensers can be filled with a Satellite-fill Horizon icemaker model without a top kit.
† Requires minimum 0.5" (0.13 cm) clearance between back of dispenser and wall.
** Net height after installation of top kit (excluding height of icemaker).
F-44N consists of 2 separate 22" (56 cm) dispensers. A top kit is needed for each Horizon icemaker ordered.

2 Undercounter/in-cabinet mounting

Cabinet details

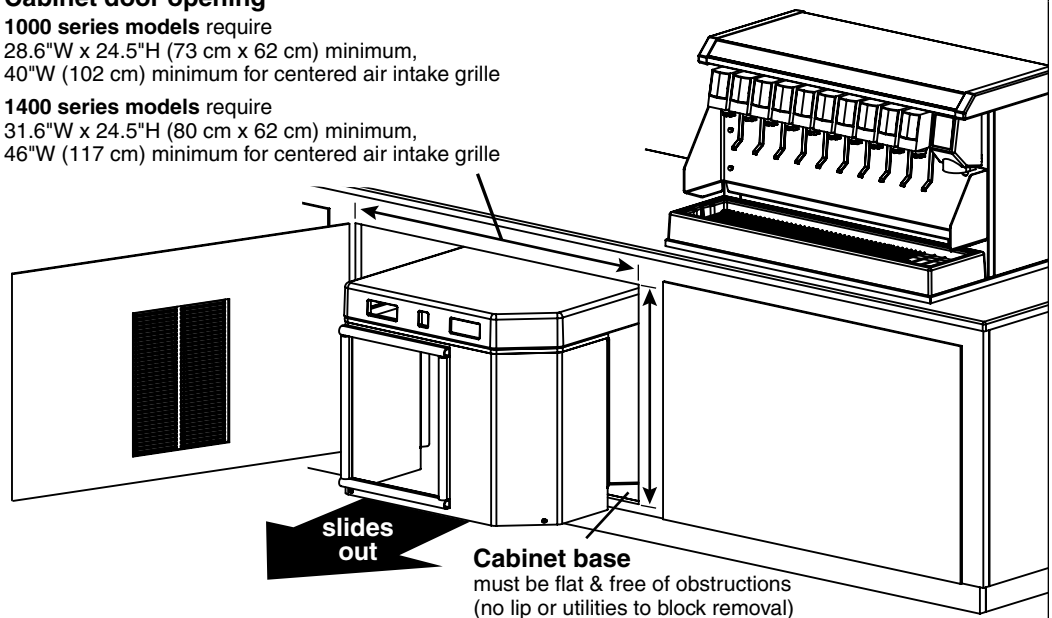
Important specifier notes

1. Cabinet door opening must meet minimum size requirements shown and be free of obstructions to allow icemaker to slide out (no lip or utilities to block removal).
2. Cabinet base must be capable of supporting icemaker and allow icemaker to rest flat on cabinet bottom.
3. No counter supports, electric or plumbing can run in front of the icemaker.

Cabinet door opening

1000 series models require
28.6"W x 24.5"H (73 cm x 62 cm) minimum,
40"W (102 cm) minimum for centered air intake grille

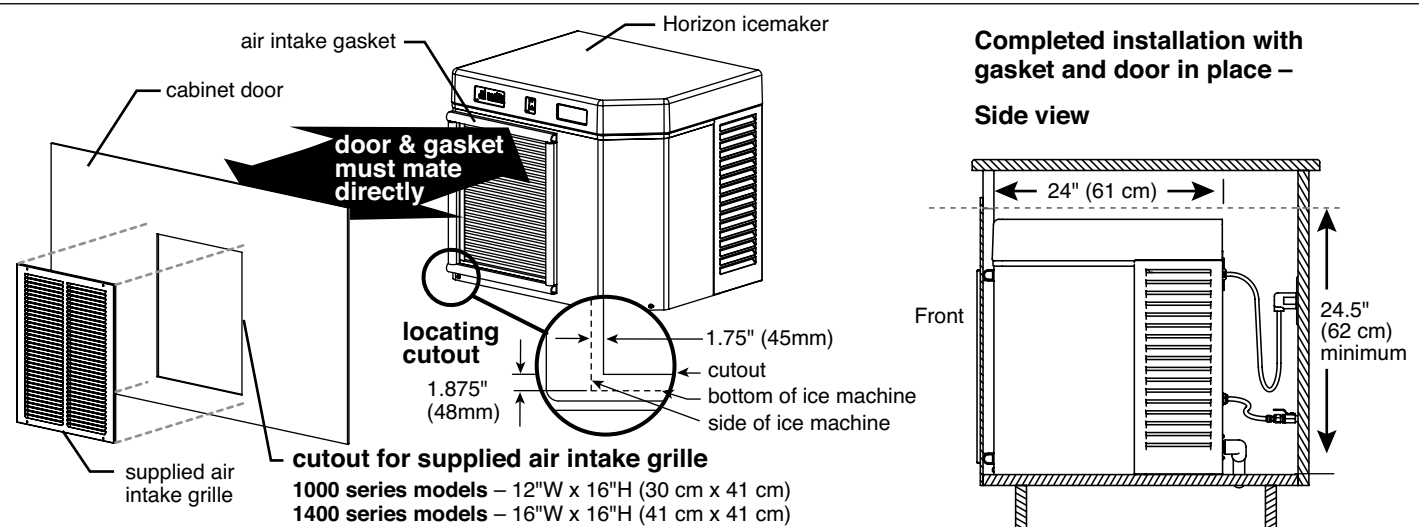
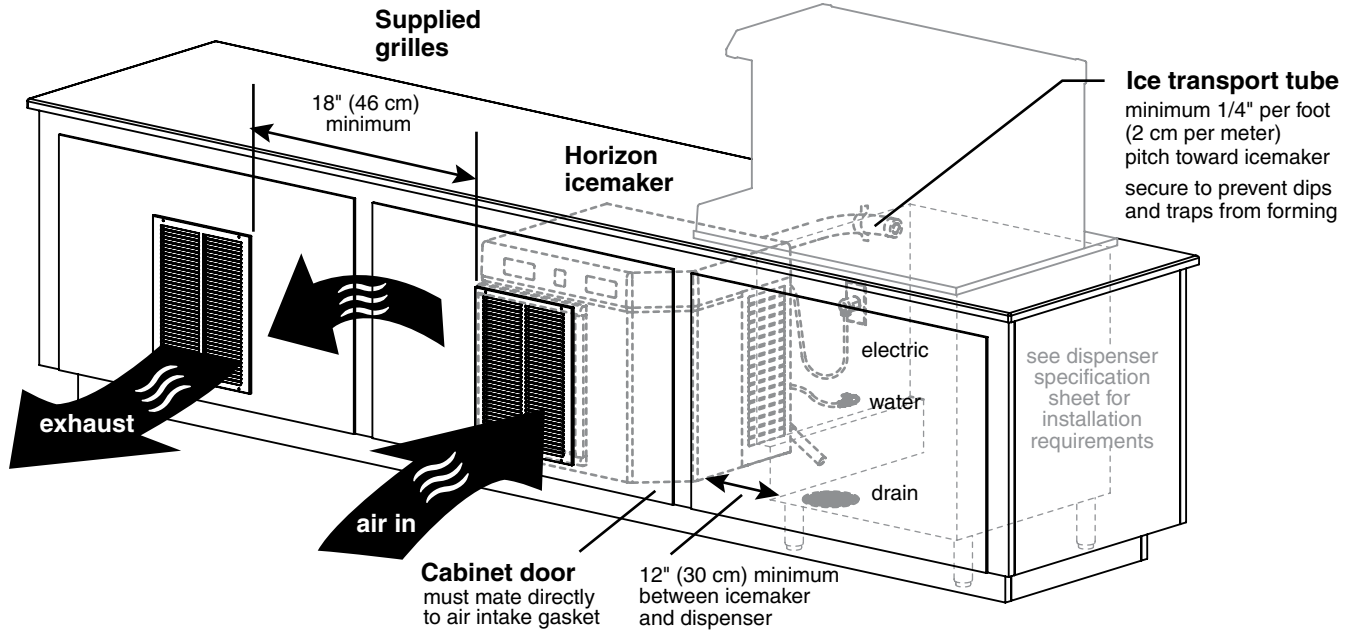
1400 series models require
31.6"W x 24.5"H (80 cm x 62 cm) minimum,
46"W (117 cm) minimum for centered air intake grille



3 Undercounter/in-cabinet mounting & ventilation

Using Follett supplied grilles

Horizon icemakers can be installed undercounter/in-cabinet to Satellite-fill bins or dispensers. **Care must be taken to ensure proper cabinet venting** to avoid recirculation of hot air. Improper venting can cause icemaker outages.



Important specifier notes:

1. The supplied exhaust grille must be located at least 18" (46 cm) from the supplied air intake grille (exhaust air must not recirculate with intake air).
2. Cabinet interior must be open to allow for unrestricted exhaust air flow.
3. Ice transport tube needs minimum 1/4" per foot (2 cm per meter) pitch toward icemaker and should be secured to prevent dips and traps from forming.

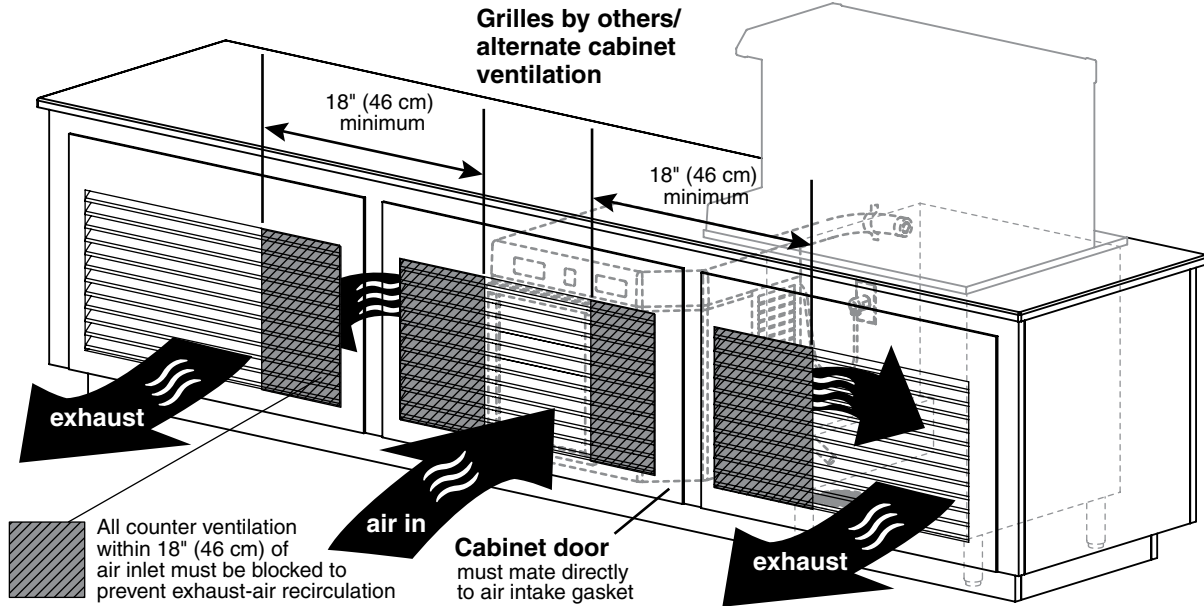
Important specifier notes (continued):

4. Cabinet door must mate directly to air intake gasket.
5. Cabinet interior must provide a minimum clear space of 24" deep (61 cm) by 24.5" high (62 cm).
6. Cutout for supplied grilles must meet minimum size requirements shown above.
7. Utilities should be conveniently located as shown.

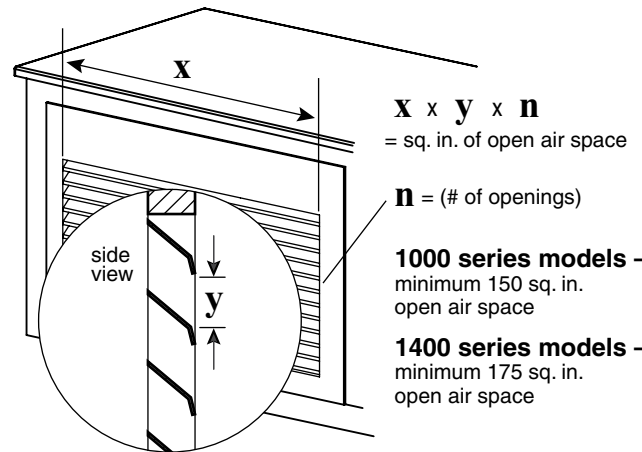
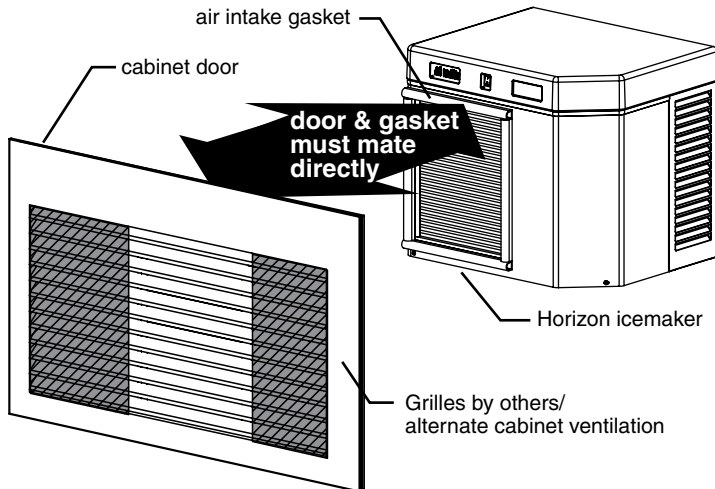
3 Undercounter/in-cabinet mounting & ventilation (continued)

Using grilles by others/alternate cabinet ventilation

Cabinets with ventilation or louvers other than those provided **require special consideration to provide proper ventilation.** Recirculation of hot air will reduce icemaker performance and can cause icemaker outages.



Minimum open air space



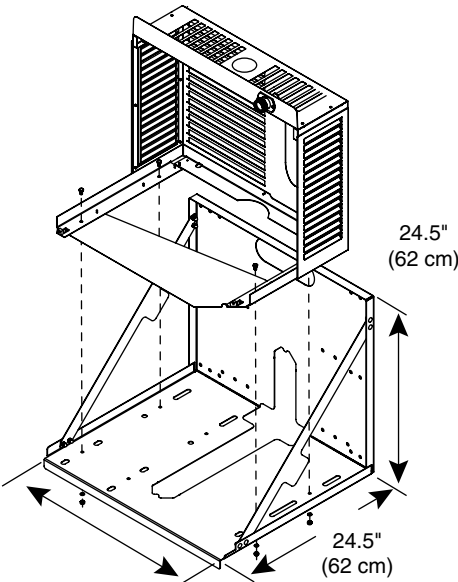
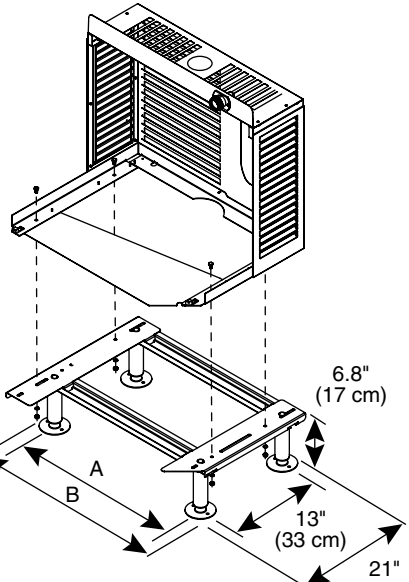
Important specifier notes:

1. Exhaust must be at least 18" (46 cm) from air intake (exhaust air must not recirculate with intake air).
2. Cabinet interior must be open to allow for unrestricted exhaust air flow.
3. Ice transport tube needs minimum 1/4" per foot (2 cm per meter) pitch toward icemaker and should be secured to prevent dips and traps from forming.

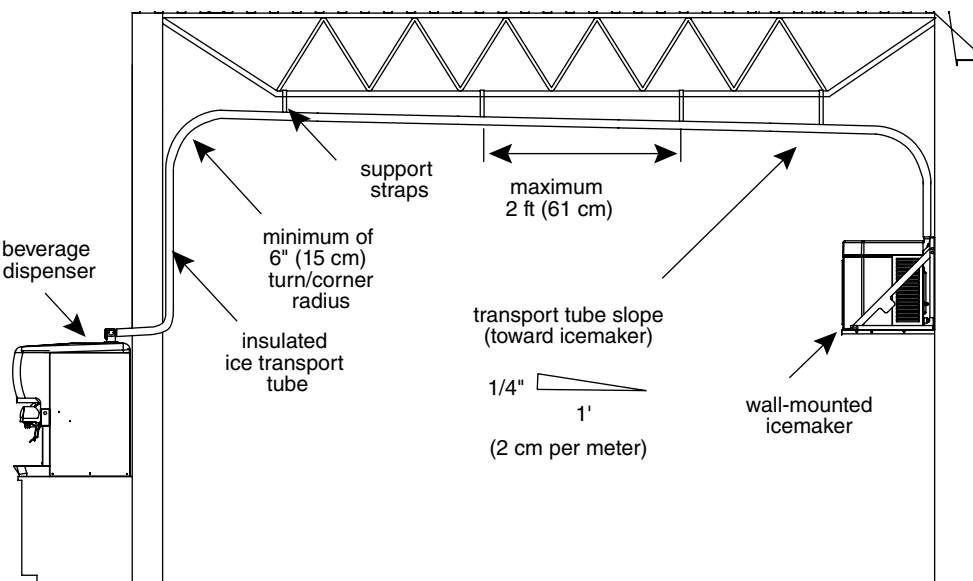
Important specifier notes (continued):

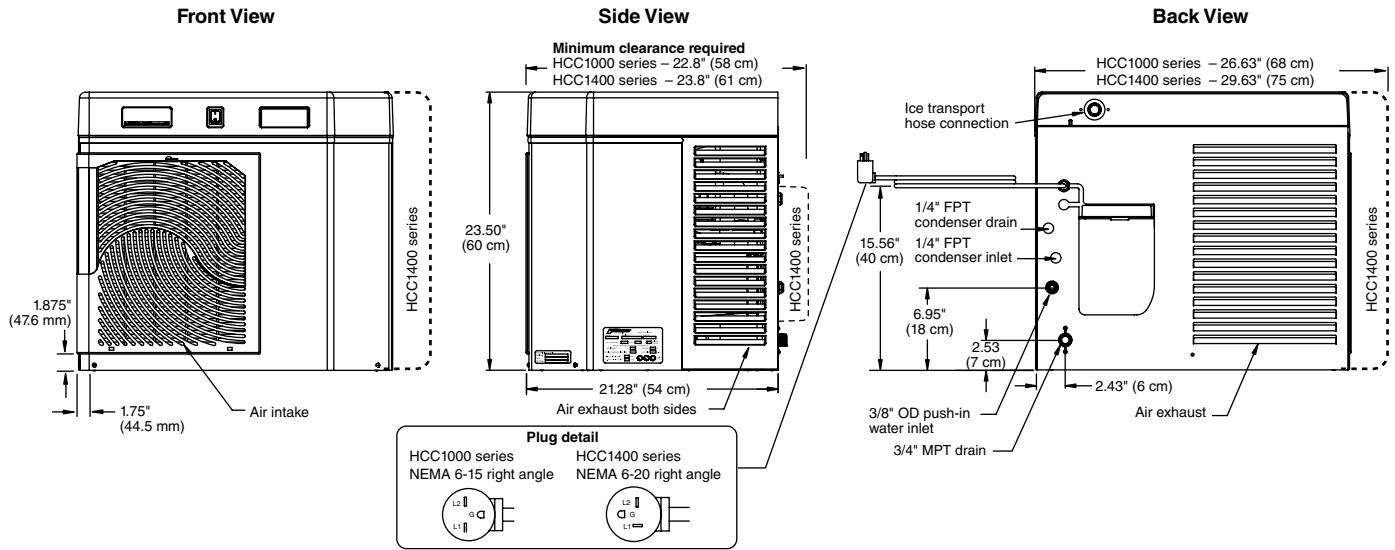
4. Ducting must be provided if cabinet door does not mate directly to air intake gasket.
5. Cabinet interior must provide a minimum clear space of 24" deep (61 cm) by 24.5" high (62 cm).
6. Grilles by others must meet minimum requirements for open air space shown above.
7. Utilities should be conveniently located as shown.

4 Horizon icemaker mounting accessories

Optional wall mount bracket	Optional machine stand	Important specifier notes:
 <p>24.5" (62 cm)</p> <p>24.5" (62 cm)</p> <p>1000 models – 28.4" (72 cm) 1400 models – 31.4" (80 cm)</p>	 <p>6.8" (17 cm)</p> <p>13" (33 cm)</p> <p>21" (53 cm)</p> <p>1000 models – A - 23.25" (59 cm), B - 26.8" (68 cm) 1400 models – A - 26.25" (67 cm), B - 29.75" (76 cm)</p>	<p>Important specifier notes:</p> <ol style="list-style-type: none"> 1. For secure wall mounting, specify optional wall mount bracket. 2. Wall and fasteners must support the weight of the icemaker, bracket, supply water and ice. Use of a backing board may be required with hollow wall construction. 3. Machine stand mounting adds 6.8" (17 cm) to height of icemaker. 4. No dips in tube routing allowed. 5. Ice transport tube needs minimum 1/4" per foot (2 cm per meter) pitch toward icemaker and should be secured to prevent dips and traps from forming.

5 Horizon ice tube runs - specifier guidelines

Satellite-fill long tube runs	Important specifier notes:
 <p>beverage dispenser</p> <p>insulated ice transport tube</p> <p>support straps</p> <p>maximum 2 ft (61 cm)</p> <p>minimum of 6" (15 cm) turn/corner radius</p> <p>transport tube slope (toward icemaker)</p> <p>1/4" 1' (2 cm per meter)</p> <p>wall-mounted icemaker</p>	<p>Important specifier notes:</p> <ol style="list-style-type: none"> 1. 75 ft (23 m) maximum ice transport tube run. 2. Tubing routing bends must have a 6" (15 cm) radius or larger. 3. If not supported from underneath, secure insulated ice transport tube at least every 2 ft (61 cm) to prevent dips or traps. 4. Relative humidity levels above 80% in areas where the icemaker or ice transport tube are located may produce excessive condensation that will cause water damage. 5. Contact factory for recommendations on running tubing through a decorative soffit or chase.



Utility requirements/unit specifications

Models	HCC1000 series	HCC1400 series
Shipping weight	260 lbs (118 kg)	290 lbs (132 kg)
Standard electrical		
Voltage	208-230	208-230
Phase	1-phase	1-phase
Hertz	60 cycles	60 cycles
Amps	11 (max.)	12 (max.)
Circuit	15 Amps	20 Amps
Cord	7 ft (2 m)	7 ft (2 m)
Plug	NEMA 6-15	NEMA 6-20
Water flow for water-cooled units		
Incoming water F (C)	Water flow: gallons (Liters) per 100 lbs (46 kg) of ice	
50 (10)	65 (246)	72 (273)
60 (16)	87 (329)	98 (371)
70 (21)	108 (409)	129 (489)
	Water flow: gpm (lpm)	
50 (10)	0.50 (1.89)	0.79 (2.99)
60 (16)	0.62 (2.36)	1.01 (3.82)
70 (21)	0.70 (2.66)	1.25 (4.74)

Energy & water consumption

Models	HCC1000 series	HCC1400 series
Electricity per 100 lbs (46 kg) of ice*		
Air-cooled	5.1 kWh	5.1 kWh
Water-cooled	4.2 kWh	3.8 kWh
Water per 100 lbs (46 kg) of ice		
Gallons/liters	13.6 (52)	13.2 (50)

* 90 F (32 C) air temp & 70 F (21 C) water temp

Heat rejection

Models	HCC1000 series	HCC1400 series
Air-cooled models BTU/hr (Kcal/hr)	11,300 (2,848)	16,000 (3,226)
Water-cooled models BTU/hr (Kcal/hr)	12,800 (4,032)	16,400 (4,133)

Unit operating limits

All models	Minimum	Maximum
Air temperature	50 F (10 C)	100 F (38 C)
Water temperature	45 F (7 C)	90 F (32 C)
Potable water	10 psi (69 kpa)	70 psi (483 kpa)
Condenser water pressure		150 psi (1035 kpa)

Important specification/installation notes:

- 10 ft (3 m) of ice transport tube and insulation are provided with Satellite-fill models only. Longer tubes available as an accessory, at extra cost.
- In Satellite-fill applications, ice enters through top of ice storage bin or countertop ice and beverage dispenser. For side entry, contact factory.
- Separate icemaker and condenser drain lines required for water-cooled models.
- Drains should be hard piped and insulated. Maintain at least a 1/4" per foot (2 cm per meter) slope away from icemaker.
- Follett recommends installation of an in-line water filtration system. See available accessories on page 1.

Ice production – 1000 series, air-cooled

Inlet water temperature	Ambient air temperature F (C)					24 hour ice production lbs/kg
	60 (16)	70 (21)	80 (27)	90 (32)	100 (38)	
50 F (10 C)	1135 (515)	1100 (499)	962 (437)	828 (376)	786 (357)	
60 F (16 C)	1070 (486)	1000 (454)	916 (416)	816 (371)	728 (331)	
70 F (21 C)	1015 (461)	938 (426)	871 (395)	794 (361)	686 (312)	
80 F (27 C)	967 (439)	902 (410)	826 (375)	755 (343)	654 (297)	
90 F (32 C)	924 (420)	859 (390)	782 (355)	698 (317)	610 (277)	

Ice production – 1000 series, water-cooled

Inlet water temperature	Condenser water temperature F (C)					24 hour ice production lbs/kg
	60 (16)	70 (21)	80 (27)	90 (32)	100 (38)	
50 F (10 C)	1071 (486)	1035 (470)	975 (443)	885 (402)	762 (346)	
60 F (16 C)	1025 (465)	979 (444)	912 (414)	826 (375)	723 (328)	
70 F (21 C)	971 (441)	932 (423)	870 (395)	786 (357)	683 (310)	
80 F (27 C)	912 (414)	888 (403)	839 (381)	759 (345)	642 (292)	
90 F (32 C)	849 (386)	842 (382)	814 (370)	745 (338)	603 (274)	

Ice production – 1400 series, air-cooled

Inlet water temperature	Ambient air temperature F (C)					24 hour ice production lbs/kg
	60 (16)	70 (21)	80 (27)	90 (32)	100 (38)	
50 F (10 C)	1536 (697)	1452 (659)	1321 (599)	1217 (552)	1117 (507)	
60 F (16 C)	1446 (656)	1361 (617)	1258 (570)	1176 (533)	1075 (488)	
70 F (21 C)	1370 (621)	1281 (581)	1194 (541)	1122 (509)	1027 (466)	
80 F (27 C)	1304 (591)	1212 (550)	1130 (513)	1089 (494)	976 (443)	
90 F (32 C)	1246 (565)	1152 (523)	1067 (484)	991 (449)	922 (418)	

Ice production – 1400 series, water-cooled

Inlet water temperature	Condenser water temperature F (C)					24 hour ice production lbs/kg
	60 (16)	70 (21)	80 (27)	90 (32)	100 (38)	
50 F (10 C)	1528 (693)	1476 (669)	1423 (646)	1371 (622)	1318 (598)	
60 F (16 C)	1481 (672)	1429 (648)	1376 (624)	1324 (600)	1271 (576)	
70 F (21 C)	1450 (658)	1398 (634)	1345 (610)	1293 (586)	1240 (562)	
80 F (27 C)	1403 (637)	1351 (613)	1298 (589)	1246 (565)	1193 (541)	
90 F (32 C)	1356 (615)	1304 (591)	1251 (568)	1199 (544)	1146 (520)	



Harmony, Horizon, Ice•Device, Ice Manager, Satellite-fill and Vision are trademarks of Follett Corporation. Chewblet and Follett are registered trademarks of Follett Corporation, registered in the US. Follett reserves the right to change specifications at any time without obligation. Certifications may vary depending on country of origin.