

Follett® Horizon Chewblet ice icemakers are compact, reliable and versatile. Available in both top mount and Satellite-fill™ ice through a tube configurations, Horizon icemakers can fill:

- Ice storage bins, ice transport systems, and Ice•Devlce™ ice storage and dispensing systems
- Countertop ice and beverage dispensers
- Drop-in dispensers at drive-thrus and server stations

Engineered with stainless steel frame and exterior, Horizon icemakers use environmentally friendly R404A refrigerant and are capable of producing up to 471 kg (1036 lbs) for the 1000 series and 658 kg (1450 lbs) for the 1400 series of Chewblet compressed nugget ice in a 24-hour period.

Low life cycle cost

- Uses up to 40% less water than cube icemakers
- Rejects up to 30% less heat than typical cuber
- Requires no preventive maintenance other than periodic cleaning and sanitizing

Satellite-fill capability

- Install icemaker up to 23 m (75 ft) away from the bin or dispenser
- Applications of more than 6 m (20 ft) require factory approval
- Improved sanitation, aesthetics, serviceability

Consumer-preferred Chewblet ice

- Easy to chew
- More reliable dispensing than nugget or pellet ice
- Slow melting, maintains drink temperature and quality
- Drink performance comparable to cubes
- Higher displacement than cube ice

Innovative engineering; unsurpassed reliability

- Horizontally positioned evaporator provides maximum heat transfer for high capacity with compact dimensions
- Unique auger profile design maximizes ice capacity and reduces loads on gearmotor, bearings and seals
- Automatic self-flushing drains away mineral laden water, reduces scale build-up
- Easy to read display provides at-a-glance operational status
- Semi-automatic cleaning and sanitizing system lowers maintenance cost
- Highest quality components for long life, high reliability
- Quiet operation, no noisy batch harvest cycles

Superior sanitation

- Floatless, sealed design inhibits formation of biofilms
- Aluminum bronze evaporator provides inherent anti-microbial properties

Accessories

- Water filter kit (item# 00130286)
- Wall mount bracket (refer to form# 3311)
- Ice machine stand (refer to form# 3311)
- Timer to control one or two Horizon icemakers (refer to form# 3311)

Warranty

- 3 years parts and labor on all components; 5 year parts on compressor

Job: _____

Model: _____ Item: _____

Horizon 1000 self-contained, with air- or water-cooled condensing unit



Application	Condenser	Top Mount	Satellite-fill
Bins	air water	HCE1000ABT HCE1000WBT	HCE1000ABS HCE1000WBS
Ice & beverage dispensers manufactured by others	air water	HCE1000AHT HCE1000WHT (requires Follett Harmony™ top kit.)	HCE1000AHS HCE1000WHS
Drop-in dispensers	air water	not available	HCE1000AJS HCE1000WJS

Horizon 1400 self-contained, with air- or water-cooled condensing unit

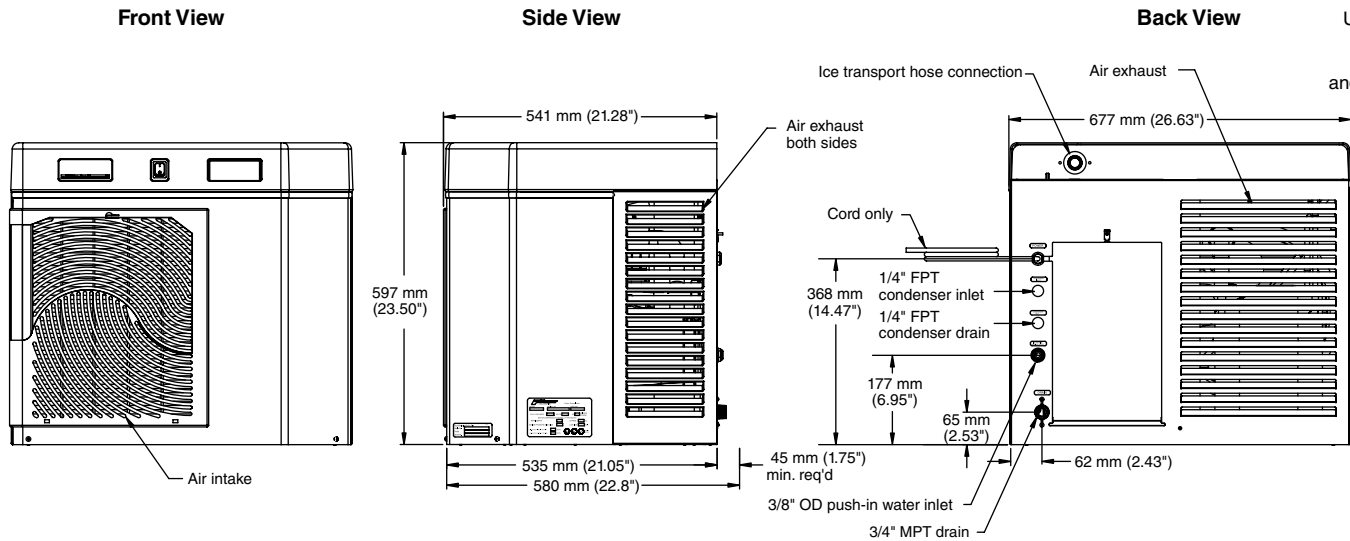


Application	Condenser	Top Mount	Satellite-fill
Bins	air water	HCE1400ABT HCE1400WBT	HCE1400ABS HCE1400WBS
Ice & beverage dispensers manufactured by others	air water	HCE1400AHT HCE1400WHT (requires Follett Harmony™ top kit.)	HCE1400AHS HCE1400WHS
Drop-in dispensers	air water	not available	HCE1400AJS HCE1400WJS

Horizon Chewblet ice icemaker – 50 Hz self-contained, air- or water-cooled

**HCE1000A
HCE1000W**

U.S. Patents
7,263,844,
7,469,548
and 7,469,552



Operating Limits

Ambient air temp. range – 10 C to 38 C (50 F to 100 F).
Water temp. range – 7 C to 32 C (45 F to 90 F).
Potable water pressure – 69 kpa to 483 kpa (10 psi to 70 psi).
Condenser water pressure – 1035 kpa (150 psi) maximum.

Electrical

230/50/1, 11 amps; max. icemaker fuse or circuit breaker 15 amps.
2 m (7 ft) cord without plug to be provided with each icemaker.
Separate circuits required for each icemaker.

Transport Tube (Satellite-fill models only)

3 m (10 ft) of insulated transport tube provided.

Approximate Shipping Weight

118 kg (260 lbs)

Dimensions

Overall Dimensions		
Height	Depth	Width
597 mm (23.5 in)	580 mm (22.8 in)	677 mm (26.7 in)

Water Consumption

52 L (13.6 gal) of potable water usage per 46 kg (100 lbs) of ice.

Heat Rejection

2,848 Kcal/hr (11,300 BTU/hr) for air-cooled.
3,226 Kcal/hr (12,800 BTU/hr) for water-cooled.

Energy Consumption

KWH per 46 kg (100 lbs) ice*	
Air-cooled	5.5
Water-cooled	5.1

*Air temp. 32 C (90 F); water temp. 21 C (70 F)

Water Flow Requirements for Water-Cooled Condensers

Water Temp. F°/C°	50/10	60/16	70/21
Water Flow: Gallons/100 lbs of ice Liters/46 kg of ice	45 170	73 276	98 371

Application	Condenser	Top Mount	Satellite-fill
Ice storage bins ¹	air water	HCE1000ABT HCE1000WBT	HCE1000ABS HCE1000WBS
Ice & beverage dispensers manufactured by others	air water	HCE1000AHT HCE1000WHT (requires Follett Harmony™ top kit.)	HCE1000AHS HCE1000WHS
Drop-in dispensers ²	air water	not available	HCE1000AJS HCE1000WJS

1 - Ice enters through top of bin in Satellite-fill applications. For side entry, contact factory at +1 (610) 252-7301.

2 - See form# 3425 for additional design information regarding installation of a Horizon icemaker with drop-in dispensers.

Ice Production

Air-cooled icemaker capacity/24 hrs.

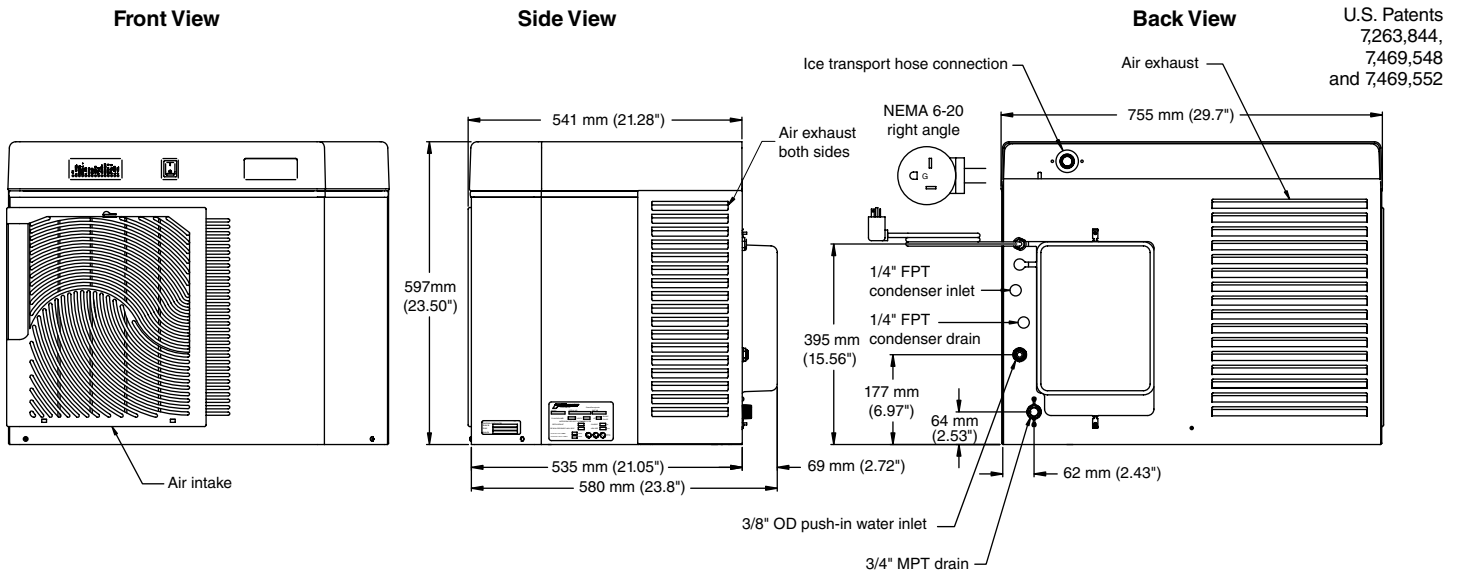
Inlet Water Temperature F/C	Ambient Air Temperature F/C					
	F	60	70	80	90	100
	C	16	21	27	32	38
50	1007	976	853	734	697	lbs
10	457	443	387	333	316	kg
60	950	887	812	724	645	lbs
16	431	402	369	328	293	kg
70	900	832	772	704	607	lbs
21	408	377	350	319	276	kg
80	858	800	732	669	579	lbs
27	389	363	332	304	263	kg
90	820	761	693	618	541	lbs
32	372	345	314	280	245	kg

Water-cooled icemaker capacity/24 hrs.

Inlet Water Temperature F/C	Condenser Water Temperature F/C					
	F	60	70	80	90	100
	C	16	21	27	32	38
50	950	919	865	785	675	lbs
10	431	417	392	356	306	kg
60	909	868	809	732	641	lbs
16	413	394	367	332	291	kg
70	862	827	771	697	605	lbs
21	391	375	350	316	274	kg
80	809	787	744	673	569	lbs
27	367	357	337	305	258	kg
90	753	746	722	660	534	lbs
32	342	339	328	299	243	kg

Horizon Chewblet ice icemaker – 50 Hz self-contained, air- or water-cooled

**HCE1400A
HCE1400W**



Operating Limits

Ambient air temp. range – 10 C to 38 C (50 F to 100 F).
Water temp. range – 7 C to 32 C (45 F to 90 F).
Potable water pressure – 69 kpa to 483 kpa (10 psi to 70 psi).
Condenser water pressure – 1035 kpa (150 psi) maximum.

Electrical

220-240/50/1, 16 amps; max. icemaker fuse or circuit breaker 20 amps. 2 m (7 ft) cord without plug to be provided with each icemaker. Separate circuits required for each icemaker.

Transport Tube (Satellite-fill models only)

3 m (10 ft) of insulated transport tube provided.

Approximate Shipping Weight

132 kg (290 lbs)

Dimensions

Overall Dimensions		
Height	Depth	Width
597 mm (23.5 in)	604 mm (23.8 in)	755 mm (29.7 in)

Water Consumption

50 L (13.2 gal) of potable water per 46 kg (100 lbs) of ice.

Heat Rejection

3906 Kcal/hr (15,500 BTU/hr) for air- or water-cooled.

Energy Consumption

KWH per 46 kg (100 lbs) ice*	
Air-cooled	5.1
Water-cooled	3.8

*Air temp. 32 C (90 F); water temp. 21 C (70 F)

Water Flow Requirements for Water-Cooled Condensers

Water Temp. F°/C°	50/10	60/16	70/21
Water Flow: Gallons/100 lbs of ice Liters/46 kg of ice	72 273	98 371	129 489

Application	Condenser	Top Mount	Satellite-fill
Ice storage bins ¹	air water	HCE1400ABT HCE1400WBT	HCE1400ABS HCE1400WBS
Ice & beverage dispensers manufactured by others	air water	HCE1400AHT HCE1400WHT (requires Follett Harmony™ top kit.)	HCE1400AHS HCE1400WHS
Drop-in dispensers ²	air water	not available	HCE1400AJS HCE1400WJS

1 - Ice enters through top of bin in Satellite-fill applications. For side entry, contact factory +1 (610) 252-7301.

2 - See form# 3425 for additional design information regarding installation of a Horizon icemaker with drop-in dispensers.

Ice Production

Air-cooled icemaker capacity/24 hrs.

Inlet Water Temperature F/C	Ambient Air Temperature F/C					
	F	60	70	80	90	100
	C	16	21	27	32	38
50	1367	1293	1175	1083	994	914
10	620	586	533	491	451	415
60	1287	1211	1119	1047	957	868
16	584	549	508	475	434	394
70	1219	1140	1062	999	914	821
21	553	517	482	453	415	372
80	1160	1078	1006	969	868	772
27	526	489	456	439	394	352
90	1109	1026	950	882	821	759
32	503	465	431	400	372	342

Water-cooled icemaker capacity/24 hrs.

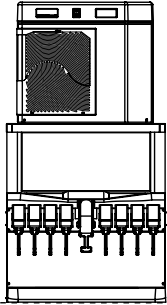
Inlet Water Temperature F/C	Condenser Water Temperature F/C					
	F	60	70	80	90	100
	C	16	21	27	32	38
50	1360	1313	1267	1220	1173	1126
10	617	596	575	553	532	511
60	1318	1272	1225	1178	1131	1084
16	598	577	556	534	513	492
70	1291	1244	1197	1150	1103	1056
21	586	564	543	522	501	480
80	1249	1202	1155	1108	1062	1015
27	567	545	524	503	482	461
90	1207	1160	1114	1067	1020	973
32	548	526	505	484	463	442

Horizon Series Icemaker Model Number Configurations

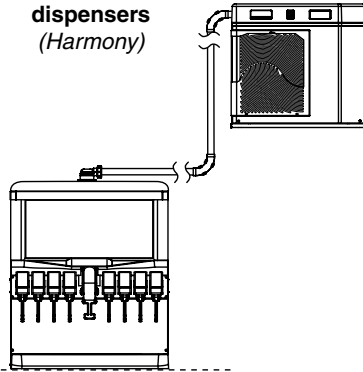
HC		E		1000		A		B		T	
Icemaker	Voltage	Series	Condenser	Application	Configuration						
HC Horizon Chewblet®	E 220-240/50/1 (self-contained only)	1000 up to 471 kg (1036 lbs) 1400 up to 658 kg (1450 lbs)	A Air-cooled, self-contained W Water-cooled, self-contained	H Harmony™ B Ice storage bin J Drop-in	S Satellite-fill™ T Top-mount						

Chewblet is a registered trademark of Follett Corporation, registered in the US.

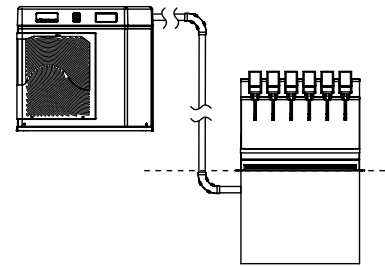
Top mount on ice and beverage dispensers (Harmony)



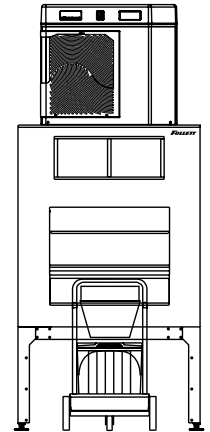
Satellite-fill for ice and beverage dispensers (Harmony)



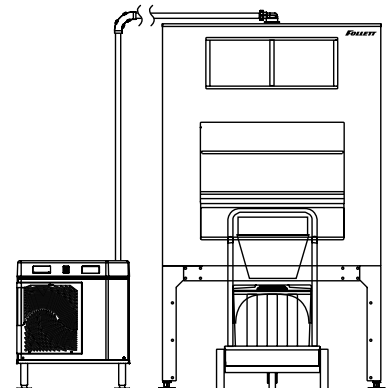
Satellite-fill for drop-in dispenser



Top mount on ice storage bins



Satellite-fill for ice storage bins



Approved Harmony applications and top kits*

Manufacturer/Model Number	W = Width mm (in)	D = Depth mm (in)	H = Height** mm (in)	Harmony top kit – specify “F” for front facing, or “B” for backward facing units	
				HCE1000 Air or Water	HCE1400 Remote Condensing
Lancer dispensers					
4500-22N	559 (22.0)	775 (30.5)	N/A	Satellite-fill only	Satellite-fill only
4500-30N	762 (30.0)	775 (30.5)	928 (36.50)	HTL30SC-10F	HTL30SC-14F
4500-44N	1118 (44.0)	775 (30.5)	N/A	Satellite-fill only	Satellite-fill only
FS-22N	559 (22.0)	775 (30.5)	1070 (42.13)	Satellite-fill only	Satellite-fill only
FS-30N	762 (30.0)	775 (30.5)	1070 (42.13)	HTL30SC-10F	HTL30SC-14F
FS-44N	1118 (44.0)	775 (30.5)	1070 (42.13)	Satellite-fill only	Satellite-fill only
Remcor/Cornelius dispensers					
DB/ED/DF 150 series	559 (22.0)	762 (30.0)	873 (34.38)	Satellite-fill only	Satellite-fill only
DB/ED/DF 200 series	762 (30.0)	762 (30.0)	873 (34.38)	HTC30SC-10F	HTC30SC-14F
DB/ED/DF 250 series	762 (30.0)	762 (30.0)	975 (38.38)	HTC30SC-10F	HTC30SC-14F
DB/ED/DF 300 series	1118 (44.0)	762 (30.0)	864 (34.00)	HTC44SC-10 (F or B)	HTC44SC-14 (F or B)
SerVend dispensers					
MDH-302	1086 (42.75)	787 (31.0)	820 (32.38)	HTS44SC-10 (F or B)†	HTS44SC-14 (F or B)†
MDH-402	1524 (60.00)	775 (30.5)	820 (32.38)	Satellite-fill only	Satellite-fill only

*All approved dispensers can be filled with a Satellite-fill Horizon icemaker without a top kit.

† Requires minimum 12.7 mm (1/2") clearance between back of dispenser and wall.

** Net height after installation of top kit (excluding height of icemaker).

Harmony, Horizon, Ice•Device and Satellite-fill are trademarks of Follett Corporation. Chewblet and Follett are registered trademarks of Follett Corporation, registered in the US. Follett reserves the right to change specifications at any time without obligation. Certifications may vary depending on country of origin.