



MCD425ABS shown



Maestro Plus™

self-contained 425 series Chewblet® ice machine

Features

Maestro Plus Chewblet ice machine with up to 425 lb (193.0 kg) daily production of consumer preferred Chewblet ice

- automatically transport ice through a tube with RIDE® technology from up to 20' (6 m) away
- chewable, compressed nugget ice is preferred over cubes¹
- Chewblet ice dispenses reliably from ice and beverage dispensers
- available with approximately 1.00" (2.54 cm) long standard Chewblet ice
- environmentally responsible R404a refrigerant has zero ozone depletion potential
- water and energy efficient
- quiet operation without noisy batch harvest cycles

Chewblet ice advantages

- preferred over cubes by more than 2:1*
- easy to chew
- more reliable dispensing than nugget or pellet ice
- slow melting, maintains drink temperature and quality comparable to cubes
- higher displacement than cube ice

Key Maestro Plus design features

- durable construction, versatile design – sturdy stainless steel exterior frame
- stainless steel evaporator, auger and top bearing
- oversized, heavy duty, tapered roller bearings ensure long, low-maintenance life
- New** - automatic self-flushing of ice machine removes impurities
- compact design offers in-cabinet/undercounter, floor stand, wall bracket, on-fountain dispenser, or on-bin mounting
- 10 ft (3 m) flexible ice transport tube and insulation standard with RIDE model ice machines

Maintenance and service benefits

- New** - cleaning and sanitizing of entire machine takes only 1 hour
- New** - LED control board provides at-a-glance machine status

Warranty

- 3 years parts and labor, 5 years compressor parts

* Consumer study conducted by independent agency Roper ASW.

| Maestro Plus 425 series ice machine | | | | |
|---|---------------|-----------|----------|------------------|
| Use/application | Install/mount | Condenser | V/Hz/Ph | Item number |
| with ice storage bin | RIDE | air | 115/60/1 | MCD425ABS |
| | | water | 115/60/1 | MCD425WBS |
| with Follett Vision™ dispenser | RIDE | air | 115/60/1 | MCD425AVS |
| | | water | 115/60/1 | MCD425WVS |
| with ice and beverage dispenser (by others) | RIDE | air | 115/60/1 | MCD425AHS |
| | | water | 115/60/1 | MCD425WHS |

Job _____
 Item _____

Accessories

- Water filter kit (Item# 00130229, see form# 9905) installation of an in line water filtration system is recommended
 - ___ ea. extra primary water filter cartridge (item# 00130245)
 - ___ ea. extra pre-filter cartridge (item# 00130211)
- Nu-Calgon® IMS-II sanitizer, 16 oz bottle (item# 00979674)
- SafeCLEAN™ environmentally responsible ice machine cleaner (item# 00132001)
- Wall mount bracket (see accessory form# 3311 for details)
- Slide-out track accessory – allows RIDE model ice machines to slide-out without disconnecting utilities (see form# 3311 for details)
- Ice machine stand, height-adjustable (see form# 3311 for details)
- Longer ice transport tube (10' / 3 m is standard) – Specify length: ___ ft/m in 5' / 1.5 m increments (20' max)

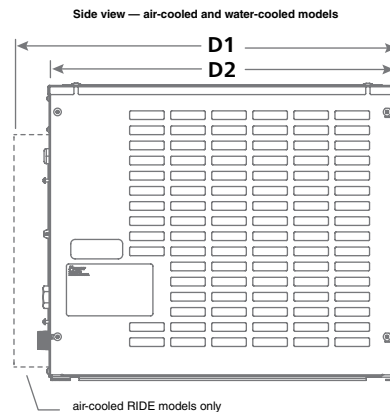
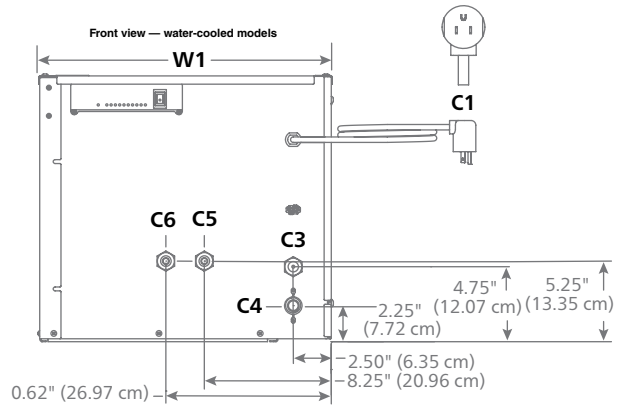
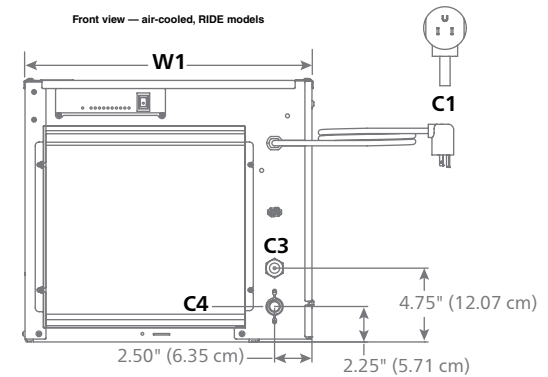
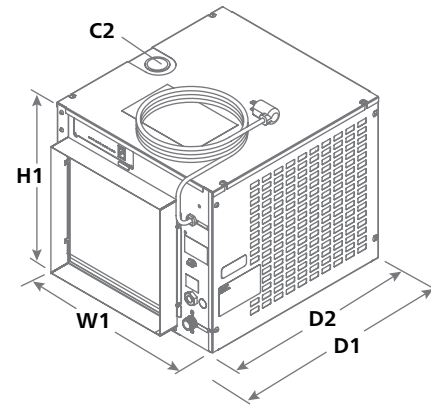
Specification

| | |
|--|--|
| W1 Width | 18.80" (47.8 cm) |
| Depth | D1 air-cooled – 22.75" (57.8 cm) D2 water-cooled – 20.75" (52.7 cm) |
| H1 Height | 17.10" (43.4 cm) |
| Service clearance | 12.00" (30.5 cm) top – no front obstructions 6.00" (15.24 cm) on exhaust side (left, right and rear) |
| C1 Electrical | 11 amps, 0.8 kW 115 V/60/1 – MCD425 models 7' (2 m) cord, NEMA 5-15 plug |
| C2 Ice transport tube | see page 7 for details |
| C3 Water inlet | 3/8" FPT |
| C4 Drain | 3/4" MPT water-cooled models require separate condenser drains |
| Water-cooled ice machine connections | C5 – 3/8" FPT condenser inlet, C6 – 3/8" FPT condenser drain |
| Air temperature | 50 - 100 F (10 - 38 C) |
| Water temperature | 45 - 90 F (10 - 32 C) |
| Potable water pressure | 10 - 70 psi (69 - 483 kPa) |
| Condenser water pressure | 10 - 125 psi (69 - 861 kPa) |
| Energy consumption | air-cooled models – 6.4 kWh, 90 F (32 C) air, 70 F (21 C) water water-cooled models – 4.3 kWh per 100 lb (45.4 kg) ice |
| Heat rejection | air-cooled models – 5,000 BTU/hr, water-cooled models – 1400 BTU/hr to air, 3600 BTU/hr to water |
| Water consumption | 12.0 gal (45.4 L) of potable water per 100 lb (45.4 kg) of ice |
| Water flow requirement for water-cooled models | 0.25 gpm at 50 F 0.5 gpm at 70 F 1.25 gpm at 90 F |
| Approximate ship weight | 160 lb (73 kg) |

NOTE: For indoor use only

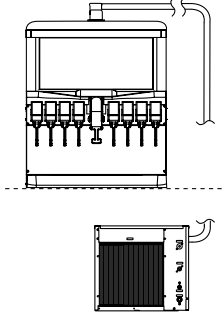
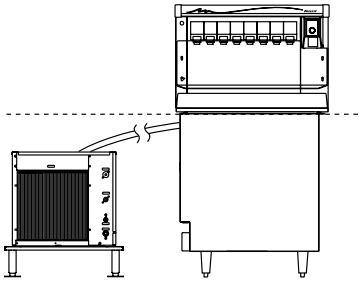
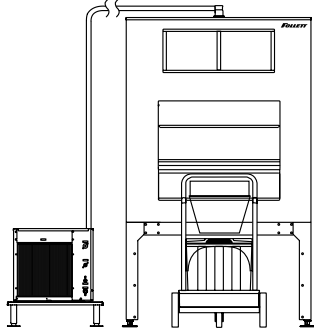
SHORT FORM SPECIFICATION: Ice machine to be a Follett® Maestro Plus Chewblet ice machine model _____ [condenser type, from model number guide] capable of producing compressed nugget ice using an efficient, sanitary vertical evaporator/auger system and delivering ice by a flexible wire reinforced, transport tube to ice storage bin, or ice and beverage dispenser and provided with a stainless steel frame, plus all the features listed and mounting/ performance-enhancing accessories checked above. Ice machine to be equipped with automatic self-flushing.

Dimensional drawing



1 – Locating the ice machine

Maestro Plus self-contained Chewblet ice machines with RIDE technology allow mounting in a base cabinet, on a wall or on a floor stand up to 20' (6 m) from the dispenser or ice bin. In-cabinet mounting requires special attention to service access, unit ventilation and ice tube runs.

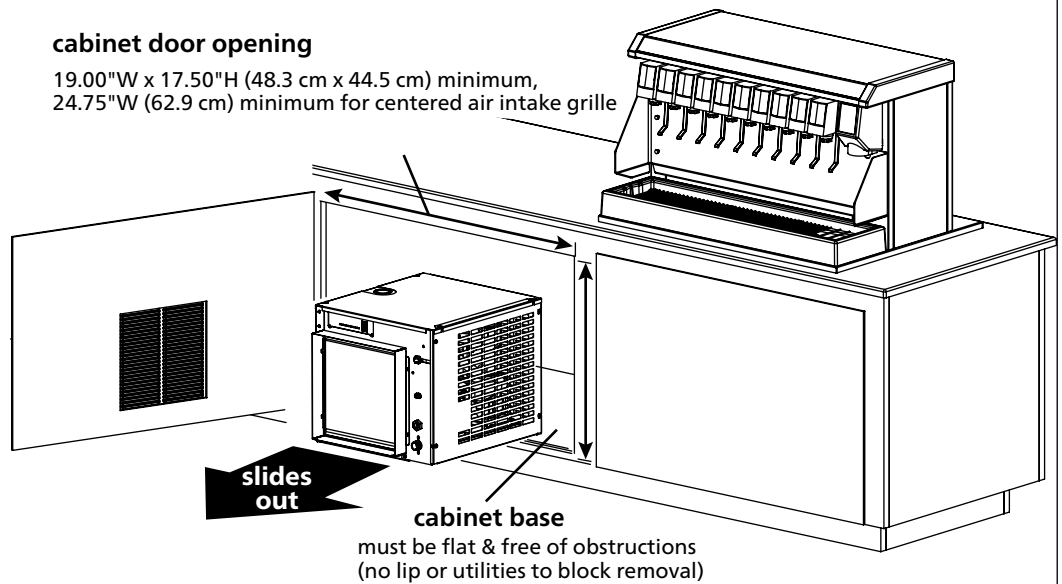
| RIDE model – ice & beverage dispensers (by others) | RIDE model – Follett low-profile Vision™ ice & beverage dispensers | RIDE model – Follett ice storage bins |
|---|--|--|
|  |  |  |
| <p>Important specifier notes:</p> <ol style="list-style-type: none"> 1. Dispenser must be compatible with nugget ice. Compatible dispensers include Lancer 4500-22N, 4500-30N 4500-30N FS16N, FS30N, FS44N, Cornelius DF/ED300BC, DB/DF/ED, 150 BC, 175 BC, 200 BC, 250 BC 300 BC, IDC215/255, FlavorFusion/Overload, Servend MD150/175/200/250, MDH302/402, and SV175/200/250. 2. Ice enters through the top of the ice and beverage dispenser. Contact factory for side entry. | <p>Important specifier notes:</p> <ol style="list-style-type: none"> 1. See pages 4-6 for critical clearance and venting requirements. | <p>Important specifier notes:</p> <ol style="list-style-type: none"> 1. See form# B300 for bin sizing. 2. Locate floor sink or grate & drains in front of storage bin. 3. Do not position bin drain lines to block Ice•Device™ bin cart. |

2 – Undercounter/in-cabinet mounting

Cabinet details

Important specifier notes

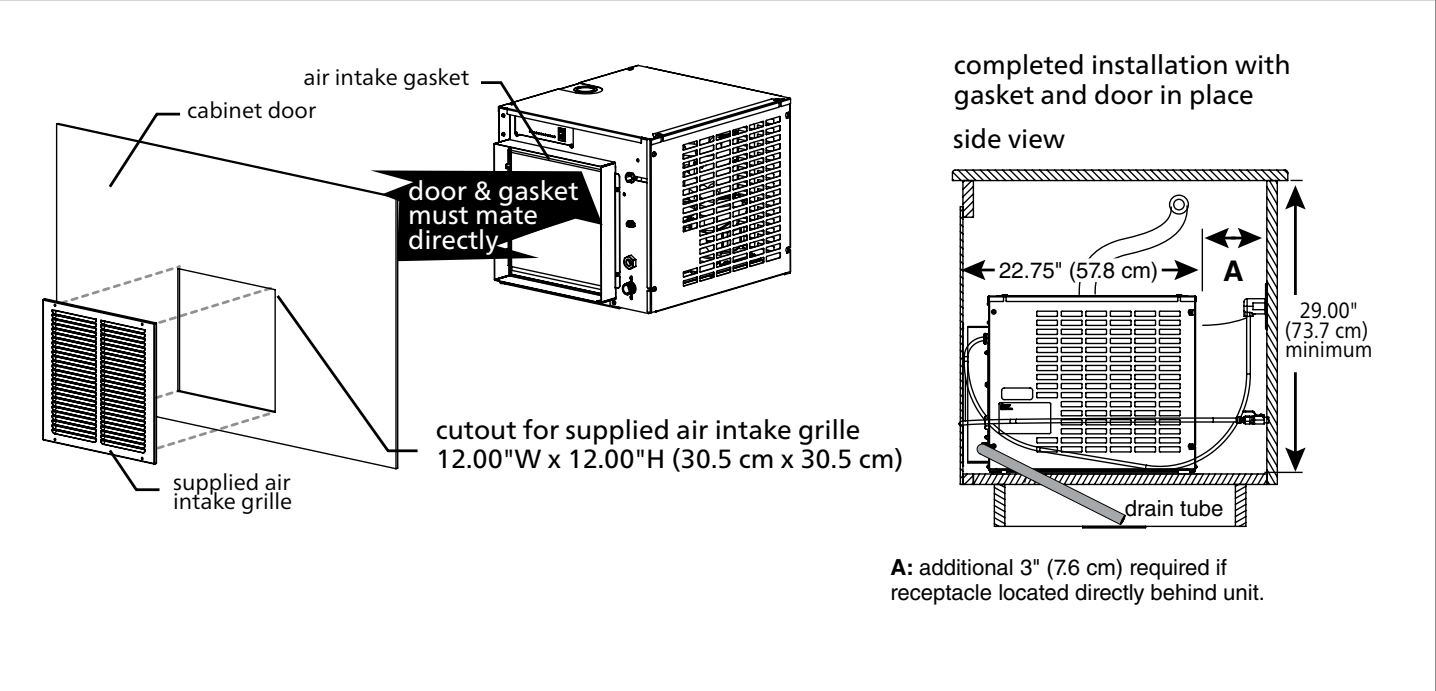
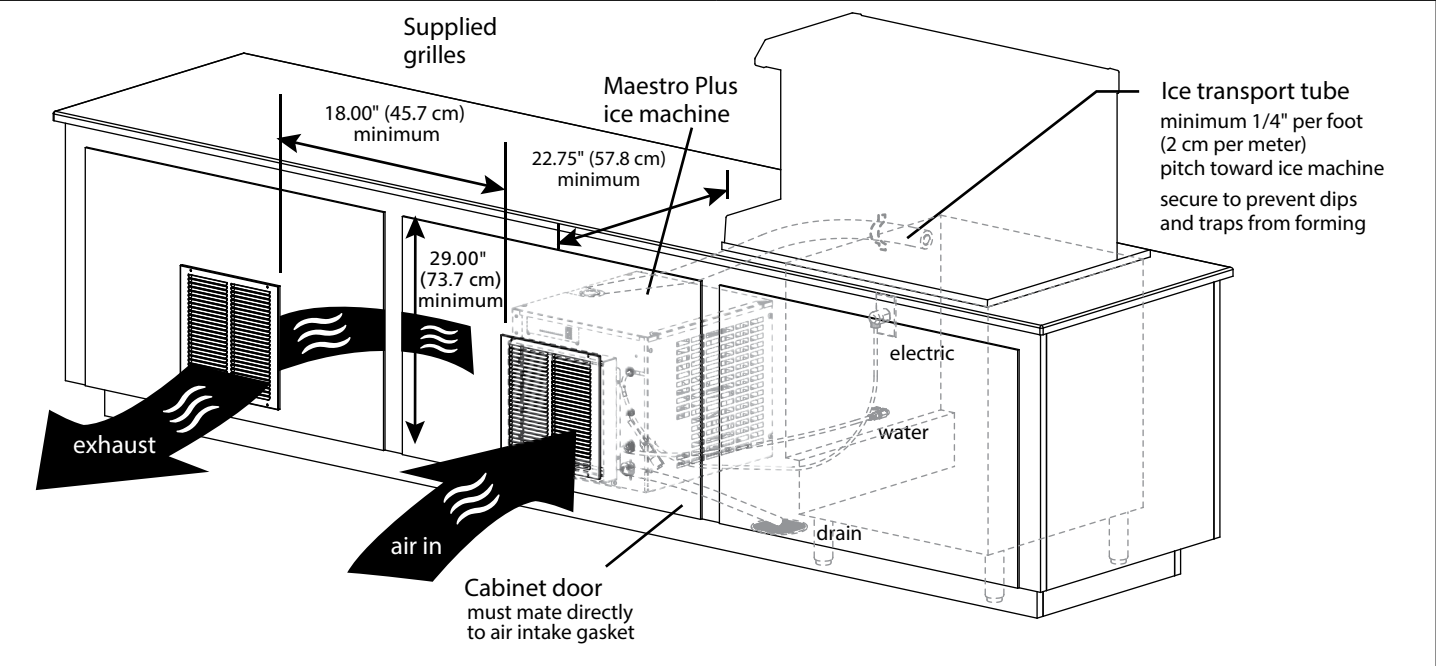
1. Cabinet door opening must meet minimum size requirements shown and be free of obstructions to allow ice machine to slide out (no lip or utilities to block removal).
2. Cabinet base must be capable of supporting ice machine and allow ice machine to rest flat on cabinet bottom.
3. No counter supports, electric or plumbing can run in front of the ice machine.



3 – Undercounter/in-cabinet mounting and ventilation

Using Follett supplied grilles

Maestro Plus ice machines can be installed undercounter/in-cabinet to fill bins or dispensers using RIDE technology. Care must be taken to ensure proper cabinet venting to avoid recirculation of hot air. Improper venting can cause ice machine outages.



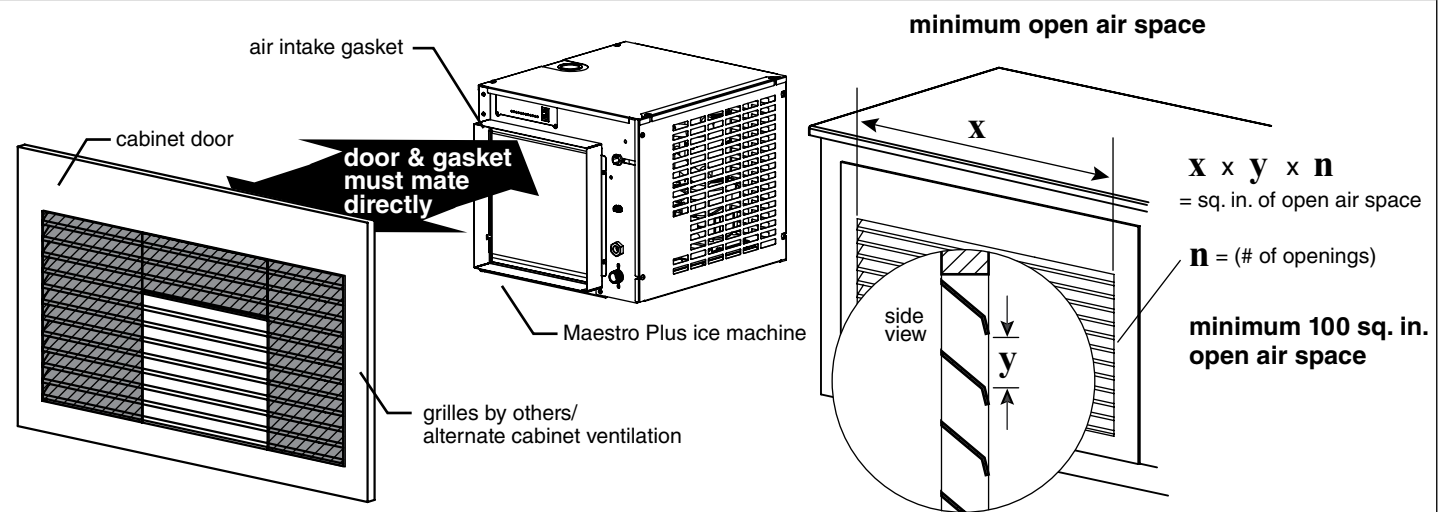
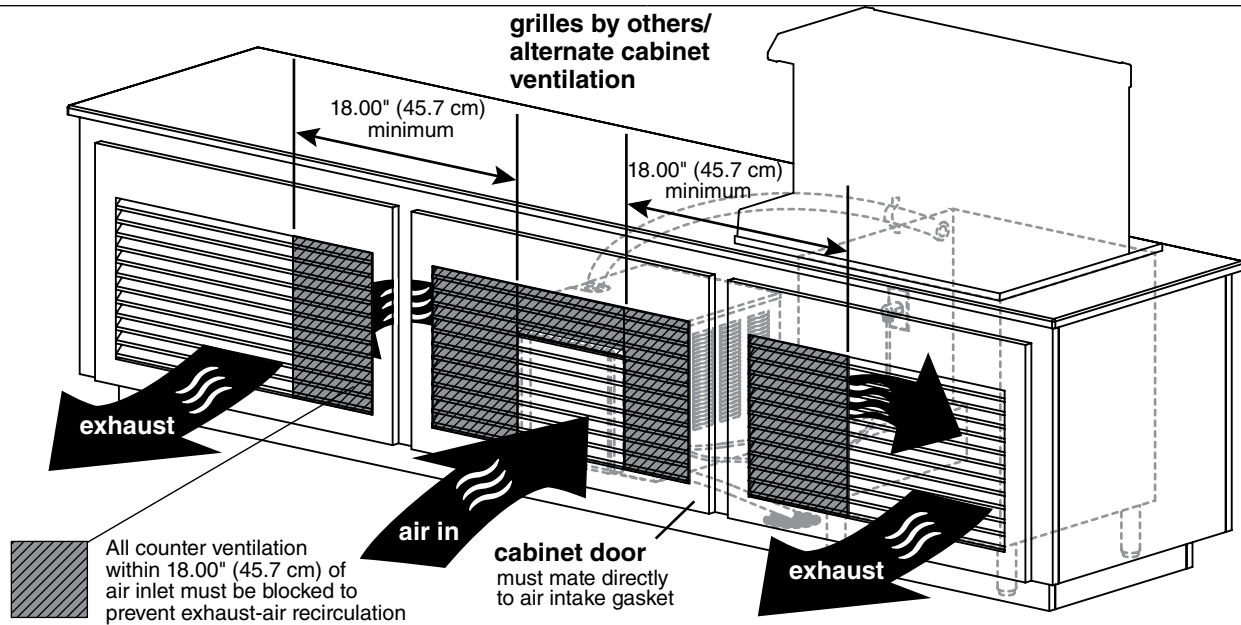
Important specifier notes for using Follett supplied grilles:

1. The supplied exhaust grille must be located at least 18.00" (45.7 cm) from the supplied air intake grille (exhaust air must not recirculate with intake air).
2. Cabinet interior must be open to allow for unrestricted exhaust air flow.
3. Ice transport tube needs minimum 1/4" per foot (2 cm per meter) pitch toward ice machine and should be secured to prevent dips and traps from forming.
4. Cabinet door must mate directly to air intake gasket.
5. Cabinet interior must provide a minimum clear space of 22.75" deep (57.8 cm) by 29.00" high (73.7 cm).
6. Supplied grilles must meet minimum requirements for open air space shown above.
7. Utilities should be conveniently located as shown.

3 – Undercounter/in-cabinet mounting and ventilation (continued)

Using grilles by others/alternate cabinet ventilation

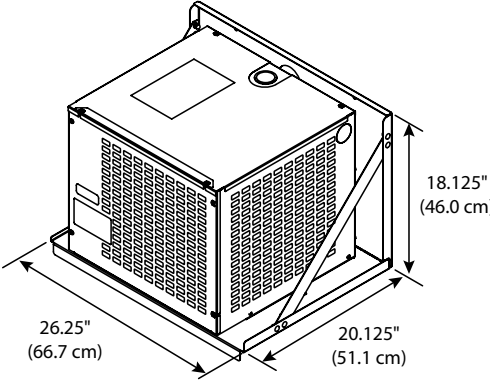
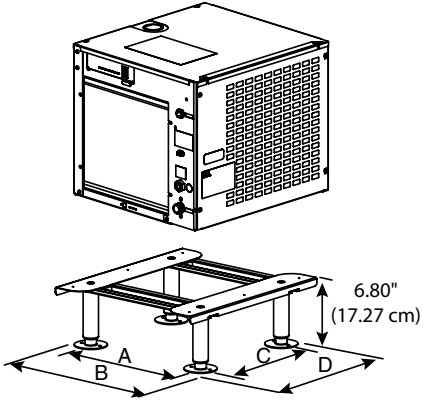
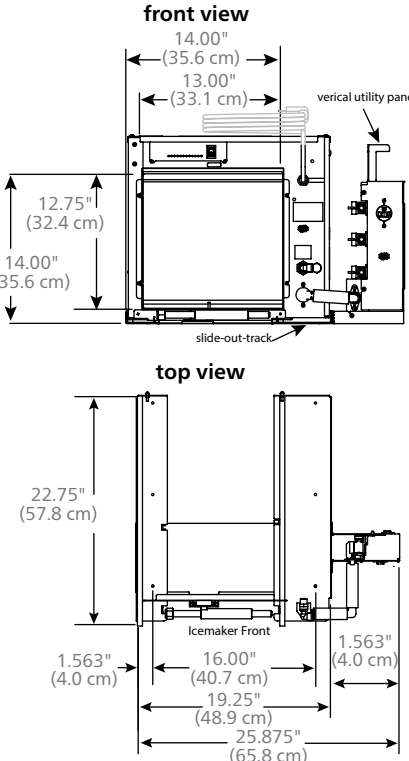
Cabinets with ventilation or louvers other than those provided by Follett require special consideration to provide proper ventilation. Recirculation of hot air will reduce ice machine performance and can cause ice machine outages.



Important specifier notes for using grilles supplied by others/alternate cabinet ventilation:

1. Exhaust must be at least 18.00" (45.7 cm) from air intake (exhaust must not recirculate with intake air).
2. Cabinet interior must be open to allow for unrestricted exhaust air flow.
3. Ice transport tube needs minimum 1/4" per foot (2 cm per meter) pitch toward ice machine and should be secured to prevent dips and traps from forming.
4. Ducting must be provided if cabinet door does not mate directly to air intake gasket.
5. Cabinet interior must provide a minimum clear space of 22.75" deep (57.8 cm) by 29.00" high (73.7 cm).
6. Grilles by others must meet minimum requirements for open air space shown above.
7. Utilities should be conveniently located as shown.

4 – Maestro Plus ice machine mounting accessories

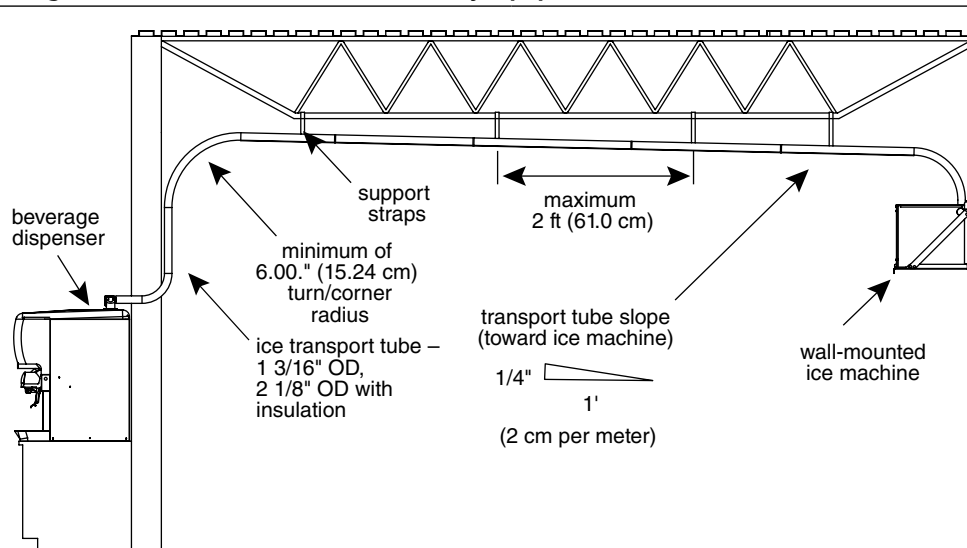
| Optional wall mount bracket | Optional machine stand | Optional slide out accessory |
|---|--|--|
|  <p>26.25" (66.7 cm)</p> <p>18.125" (46.0 cm)</p> <p>20.125" (51.1 cm)</p> |  <p>6.80" (17.27 cm)</p> <p>A - 15.125" (38.4 cm), C - 13.25" (33.6 cm)</p> <p>B - 18.625" (47.3 cm), D - 20.75" (52.7 cm)</p> |  <p>front view</p> <p>14.00" (35.6 cm)</p> <p>13.00" (33.1 cm)</p> <p>12.75" (32.4 cm)</p> <p>14.00" (35.6 cm)</p> <p>slide-out-track</p> <p>verical utility panel</p> <p>top view</p> <p>22.75" (57.8 cm)</p> <p>1.563" (4.0 cm)</p> <p>16.00" (40.7 cm)</p> <p>19.25" (48.9 cm)</p> <p>25.875" (65.8 cm)</p> <p>1.563" (4.0 cm)</p> <p>Icemaker Front</p> |

Important specifier notes:

- For secure wall mounting, specify optional wall mount bracket.
- Wall and fasteners must support the weight of the ice machine, bracket, supply water and ice. Use of a backing board may be required with hollow wall construction.
- Machine stand mounting adds 6.80" (17.27 cm) to height of ice machine.
- No dips in tube routing allowed.
- Ice transport tube needs minimum 1/4" per foot (2 cm per meter) pitch toward ice machine and should be secured to prevent dips and traps from forming.

5 – Maestro Plus ice tube runs – specifier guidelines

Long tube runs for RIDE remote ice delivery equipment



Important specifier notes:

- 20 ft (6 m) maximum ice transport tube run.
- Tubing routing bends must have a 6.00" (15.24 cm) radius or larger.
- If not supported from underneath, secure insulated ice transport tube at least every 2 ft (61.0 cm) to prevent dips or traps.
- Relative humidity levels above 80% in areas where the ice machine or ice transport tube are located may produce excessive condensation that will cause water damage.
- Contact factory for recommendations on running tubing through a decorative soffit or chase.

Ice production – air-cooled

| Inlet water temperature F (C) | Ambient air temperature F (C) | | | | | lb/kg production in 24 hr |
|-------------------------------|-------------------------------|-----------|-----------|-----------|-------------|---------------------------|
| | 60 (16) | 70 (21) | 80 (27) | 90 (32) | 100 (38) | |
| 50 (10) | 460 (208) | 425 (193) | 390 (177) | 355 (161) | 320 (145) | |
| 60 (16) | 438 (198) | 405 (184) | 373 (169) | 340 (154) | 307.5 (139) | |
| 70 (21) | 415 (188) | 385 (190) | 355 (173) | 325 (147) | 295 (134) | |
| 80 (27) | 405 (184) | 375 (170) | 345 (156) | 315 (142) | 285 (129) | |
| 90 (32) | 395 (179) | 365 (166) | 335 (152) | 305 (138) | 275 (125) | |

Ice production – water-cooled

| Inlet water temperature F (C) | Condenser water temperature F (C) | | | | | | lb/kg production in 24 hr |
|-------------------------------|-----------------------------------|-----------|-----------|-----------|-----------|-----------|---------------------------|
| | 50 (10) | 60 (16) | 70 (21) | 80 (27) | 90 (32) | 100 (38) | |
| 50 (10) | 486 (220) | 465 (211) | 443 (201) | 422 (191) | 400 (181) | 389 (176) | |
| 60 (16) | 464 (210) | 445 (202) | 425 (193) | 406 (184) | 386 (175) | 367 (166) | |
| 70 (21) | 443 (201) | 425 (193) | 408 (185) | 390 (177) | 372 (169) | 358 (162) | |
| 80 (27) | 422 (191) | 406 (184) | 389 (176) | 373 (169) | 356 (161) | 340 (154) | |
| 90 (32) | 400 (181) | 385 (175) | 371 (168) | 356 (161) | 341 (155) | 326 (148) | |



¹ Independent third party studies. Contact Follett for details.

Calgon is a licensed tradename distributed by Nu-Calgon, in the United States.

Harmony, Ice•Device, Maestro Plus and Vision are trademarks of Follett Corporation.

Chewblet, Follett and RIDE are registered trademarks of Follett Corporation, registered in the US.

Follett reserves the right to change specifications at any time without obligation. Certifications may vary depending on country of origin.

Self-contained 425 series ice machine