

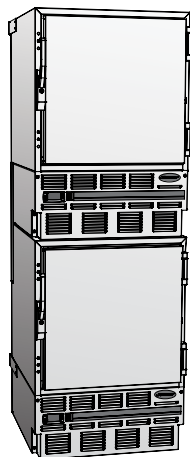
Undercounter refrigerators

REF5 – Freestanding or below standard 36" (915 mm) counters, 4.8 cu ft (136 L) capacity

REF4-ADA – Freestanding or below 34" (864 mm) ADA-compatible counters, 4.0 cu ft (113 L) capacity



*Displays
temperature
in °F or °C!*



(2) units shown with
stacking kit accessory
(item# 00926618)

Medical-grade undercounter refrigerator with external digital temperature display in °F or °C. Provides secure, stable temperature storage required for patient floor, lab and pharmacy applications. Stainless steel interior/exterior.

Consistent temperature performance, security

- Heavy-duty 1/4 hp compressor, forced-air cooling and digital microprocessor controller maintain uniform cabinet temperatures with quick pull-down and rapid recovery following door openings
- Adjustable set point meets temperature needs for different applications
- Locking door handle provides medication security
- Supports Joint Commission standards for medication storage
- NSF-listed; ensures temperature stability in adverse ambients

More features designed specifically for healthcare

- Easy-to-read external temperature display in °F or °C allows easy logging without opening door
- Positive locking door latch and magnetic gasket provide secure closure
- Two, easy-to-clean, epoxy-coated shelves
- Two models – for standard 36" (915 mm) high counter and 34" (864 mm) ADA-compatible counters
- Rear port for easy alarm probe (accessory) entry

Easy installation, cleaning and care

- Front-breathing design requires no side, top or back clearance
- 23.75" (603 mm) width allows easy installation in standard 24" (610 mm) casework openings
- Field-reversible door provides left or right opening flexibility
- Automatic, off-cycle defrost eliminates manual defrosting
- Condensation evaporates automatically
- Durable stainless steel interior and exterior for easy cleaning
- Rear slide-out condensing unit provides complete access

Industry's best warranty

- 2-yr parts and labor on entire refrigerator
- 5-yr parts on compressor

Options/accessories

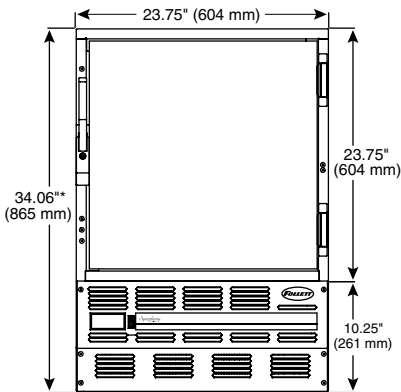
- Keypad, code-based entry
- Additional shelf (item# 00131748)
- Temperature alarm module with °F/°C display (item# 00112185)
- Temperature surveillance module (includes alarm, digital display and chart recorder) (item# 00168674)
- Omnicell®-compatible door bracket (item# 00158014)
- Pyxis®-compatible door bracket (item# 00114702)
- Stacking kit (item# 00926618)
- 17" (432 mm) stainless steel pedestal stand (item# 00931154)

*Pyxis® is a registered trademark of Cardinal Health in the United States and other countries.
*Omnicell® is a registered trademark of Omnicell, Inc. in the United States.

JOB: _____

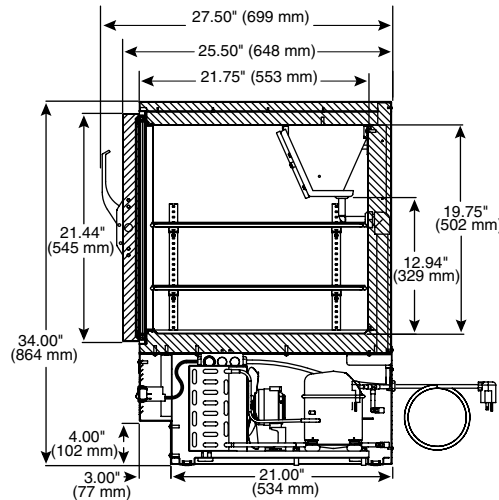
ITEM: _____

**Front View
REF5**

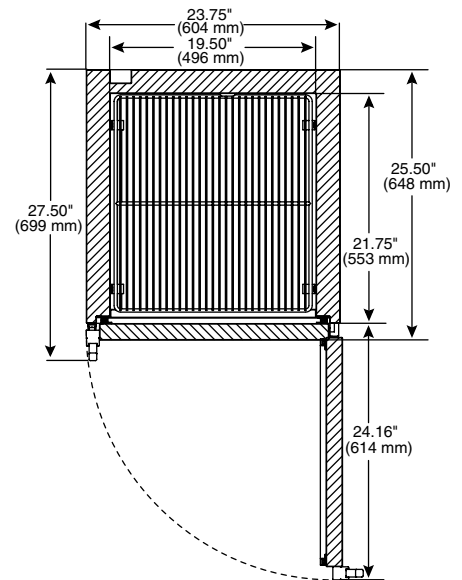


* Height includes leveling legs

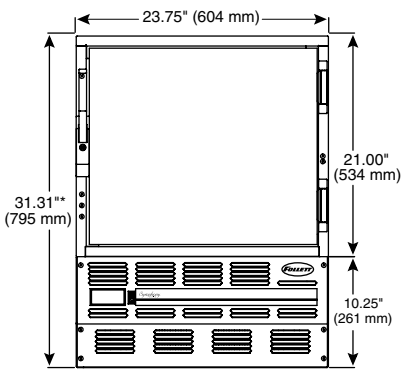
**Side View
REF5**



**Top View
all models**

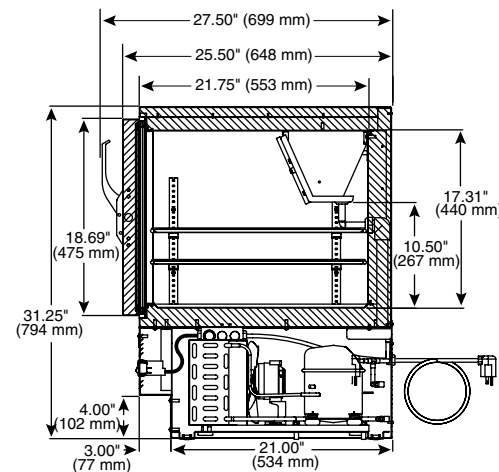


**Front View
REF4-ADA**

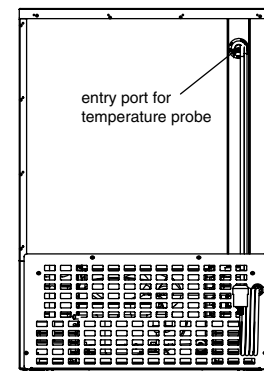


* Height includes leveling legs

**Side View
REF4-ADA**



**Back View
all models**



Refrigerant R404A, 7.9 oz

Max. heat rejection 717 BTU/hr

Electrical

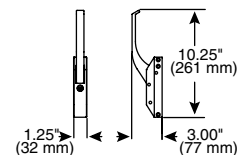
115 V, 60 Hz, 1 ph, 8.0 amps, max. fuse 15 amps. 6' (1.8 m) hospital-grade cord and NEMA 5-15 plug provided.

Approximate shipping weight 186 lbs (84 kg)

Specifications Undercounter refrigerator to be Follett® model (choose one) _____ REF5, 34.06" (865 mm) high with 4.8 cu ft (136 L) capacity or _____ REF4-ADA, 31.31" (795 mm) high with 4.0 cu ft (113 L) capacity. Environmentally responsible R404A refrigeration system to include heavy-duty 1/4 HP compressor, blower, blower coil and automatic evaporative forced air cooling with off-cycle defrost. Refrigerator to be equipped with external temperature display (displays in °F or °C) and solid-state controller to maintain uniform cabinet temperatures. Controller to have adjustable set point to meet varied temperature needs for different applications. Refrigerator door to be field-reversible and equipped with replaceable dart-style gasket and chrome-plated handle with cylinder lock. Refrigerator interior and exterior to be stainless steel. Two epoxy-coated wire shelves adjust in 1/2" (13 mm) increments. Storage area to be insulated with high-density, non-CFC foam polyurethane. Hospital-grade cord and plug provided. Refrigerator to be NSF, UL and cUL listed.

Follett is a registered trademark of Follett Corporation, registered in the US. Follett reserves the right to change specifications at any time without obligation. Certifications may vary depending on country of origin.

**Handle Detail
all models**



**Plug Detail
all models
NEMA 5-15**

