

Vision™ ice and beverage dispenser

VU155 Series



Features

150 lb (68.0 kg) undercounter ice storage

Upscale drink station

- low profile with ice storage under the counter
- auto-fill with an ice machine out of view using RIDE® remote ice delivery equipment
- ideal for island configurations
- fits into ADA compliant 34.00" (86.3 cm) counters

Optimized throughput with customizable left or right side ice dispense chute – customers fill cups faster for shorter lines

Integral ice-water-bath beverage cooling option located behind beverage valves – delivers cold, high quality beverages and excellent casual drink performance

Durable, full stainless exterior

Easier beverage connections

- Beverage valves with factory installed beverage lines for easy field connection
- 4 center valves configured as QuickCARB™ valves, individually changeable from carbonated to non-carbonated flavors without disconnecting water lines

Pre-configured for Follett® RIDE model Chewblet® ice machines

- connect up to two Follett ice machines
- user-preferred, chewable compressed nugget ice
- slow melting, maintains drink temperature
- accepts Chewblet ice or Micro Chewblet ice

Faster, safer manual loading of ice at waist height

- safe, easy waist-height loading front or rear
- eliminates overhead lifting of buckets or loading from ladders
- allows quick reloading during serving period with minimal disruption
- may be manually loaded with cube ice up to 1.00" (2.54 cm) square

Accessories

6.00" (15.24 cm) stainless steel leg kit (set of 4) adjustable to 9.00" (22.86 cm) (item# AFLEGKT155)

Integration kit – Required to integrate with Ice Manager™ Diverter Valve (item# VUIMDVKIT)

VU155 series				
Integral beverage cooling	# of valves	Ice tower location	Valve type	Item number
with	8	left	lever	VU155B8LL
			push-button	VU155B8LP
		right	lever	VU155B8RL
			push-button	VU155B8RP
	10	left	lever	VU155B10LL
			push-button	VU155B10LP
right		lever	VU155B10RL	
		push-button	VU155B10RP	
without*	8	left	lever	VU155M8LL
			push-button	VU155M8LP
		right	lever	VU155M8RL
			push-button	VU155M8RP
	10	left	lever	VU155M10LL
			push-button	VU155M10LP
		right	lever	VU155M10RL
			push-button	VU155M10RP

NOTE:

- Standard with Cornelius UFB1 valves.
- Lancer LEV valves available for Coke users only (add -LAN to end of model number).
- *External beverage cooling required by others.

Job

Item

Specification

Ice storage capacity	150 lb (68.0 kg)
W Width	8 valve models – 31.25" (79.4 cm), 10 valve models – 37.25" (94.6 cm)
D1 Depth	27.38" (69.6 cm)
D2 Depth, drain pan interior	7.38" (18.75 cm)
H1 Height, upper section	22.00" (55.9 cm)
H2 Height, lower section	27.88" (70.8 cm)
H3 Height, leg	adjustable 6.00 - 9.00" (15.24 - 22.86 cm)
H4 Ice dispense height clearance	10.00" (25.4 cm)
K1 Ice dispense chute	utility connections are on opposite side of ice dispense chute
L1 Countertop to lever	7.88" (20.02 cm)
L2 Front of dispenser to lever	6.88" (17.48 cm)
Installation clearance	51.00" (129.5 cm) above counter for drop-in installation, 1.25" (3.18 cm) maximum counter thickness
Service clearance NOTE: For additional information refer to form# 3105.	12.00" (30.5 cm) minimum on side opposite of ice chute (and on side transport tube enters), 36.00" (91.4 cm) minimum above counter for auger removal
C1 Electrical 115 V/60/1	Models with beverage cooling – 4.4 amps. Models without – 2.4 amps. 8' (2.4 m) cord and NEMA 5-15 90° plug provided with each dispenser. Separate circuits and disconnects required for each dispenser.
C2 Drain - ice storage	3/4" PVC slip joint
C3 Drain - beverage waterbath	1.00" ID hose
C4 Drain - drain pan	3/4" PVC hose
C5 Beverage lines	1/4" ID syrup beverage hose, 3/8" ID carbonated water beverage hose, 3/8" ID plain water beverage hose
C6 Ice machine electrical connection	Pre-wired bin signal junction box with twist lock connector(s). Standard length is 20' (6.1 m).
C7 Ice machine ice transport tube connection	two ice transport tube entry holes on each side
Air temperature	60 - 90 F (16 - 32 C)
Approximate shipping weight	models with beverage cooling – 275 lb (124.7 kg) models without – 250 lb (113.4 kg)

NOTE: For indoor use only

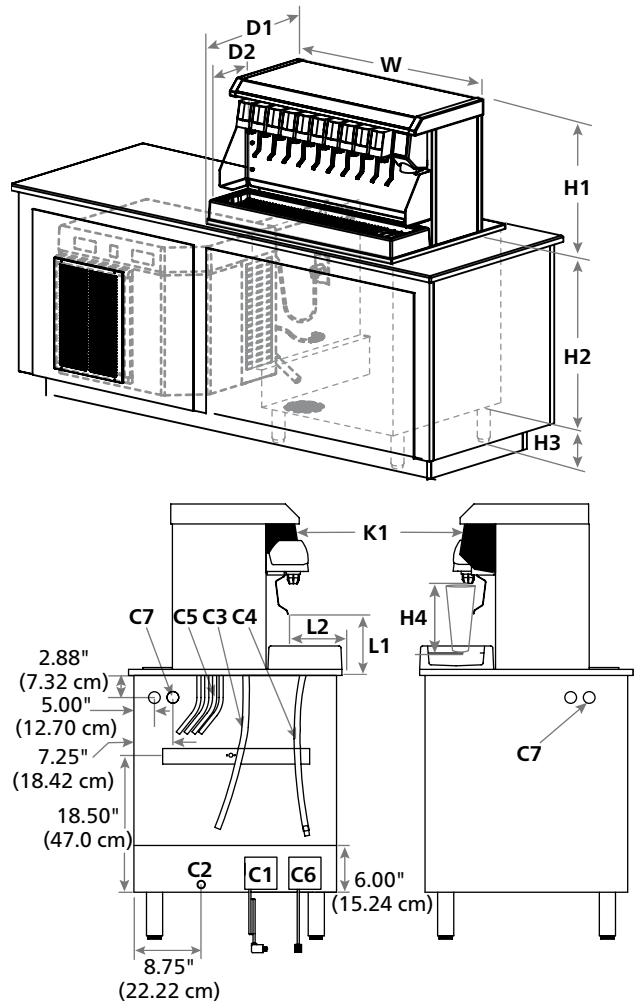
SHORT FORM SPECIFICATION: Ice and beverage dispenser to be Follett model _____. Dispenser to store up to 150 lb (68.0 kg) of ice and allow loading of ice at waist level from front or rear. Full-length drain to be one-piece molded polyethylene. Beverage rail to have (choose one) ___ eight (8) or ___ ten (10) Cornelius UFB1 valves. Beverage rail to be of stainless steel with plastic trim. Beverage manifold to be pre-plumbed with center 4 valves individually changeable from carbonated to non-carbonated flavors without disconnecting water lines. To include 6.00 - 9.00" (15.24 - 22.86 cm) adjustable legs for dispenser support. Storage area to be of polyethylene, insulated with non-CFC foam polyurethane. Electric keyswitch standard. Dispenser to be pre-configured to accept up to two _____ RIDE model ice machines, sold separately. 8' (2.4 m) cord and NEMA 5-15 90° hospital grade plug provided. Dispenser to be NSF, UL and cUL listed.

VU155 series

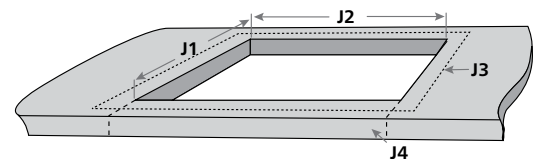
Form #2780 10/13
© 2013 Follett Corporation



Dimensional drawing



Counter cutout detail



VU155 – 8 valve unit

- J1** Cutout depth 26.25" (66.68 cm) ± .0125" (.0317 cm)
- J2** Cutout width 30.375" (77.152 cm) ± .0125" (.0317 cm)
- J3** Flat surface 31.25" (79.38 cm) W x
required 28.00" (71.12 cm) D
- J4** Optional – counter front may be removed for slide-in
installation

VU155 – 10 valve unit

- J1** Cutout depth 26.25" (66.68 cm) ± .0125" (.0317 cm)
- J2** Cutout width 36.375" (92.392 cm) ± .0125" (.0317 cm)
- J3** Flat surface 37.25" (94.62 cm) W x
required 28.00" (71.12 cm) D
- J4** Optional – counter front may be removed for slide-in
installation

Vision, QuickCARB and Ice Manager are trademarks of Follett Corporation.
Chewblet, Follett and RIDE are registered trademarks of Follett Corporation, registered in the US.
Follett reserves the right to change specifications at any time without obligation. Certifications may vary
depending on country of origin.

801 Church Lane | Easton, PA 18040, USA
1.800.523.9361 | 1.610.252.7301 | follettice.com

FOLLETT[®]
Innovative solutions, inspired by ice