

VU155N series – 115/60/1

- VU155N0RP** – Right hand tower, push-button actuation
- VU155N0RL** – Right hand tower, sanitary lever actuation
- VU155N0LP** – Left hand tower, push-button actuation
- VU155N0LL** – Left hand tower, sanitary lever actuation



VU155N shown with left hand tower and push-button actuation

High-capacity ice and chilled water dispensers with undercounter ice storage. Up to 150 lbs (68 kg) of ice storage. Standard equipment includes 6" to 9" (153 to 229 mm) adjustable legs for undercounter dispenser support. Dispensers are auto-fill ready to accept (2) Follett® Satellite-fill™ Chewblet® ice icemakers, for drop-in or slide-in installations.

Attractive, low-profile design

- Compact dispenser with undercounter storage extends only 22" (559 mm) above counter
- 12" (305 mm) wide tower dispenses both ice and chilled water
- Allows use in island configurations
- Neutral colors blend into any decor
- Fits into ADA-compliant 34" (864 mm) counter

Faster, safer loading of ice at waist height

- Safe, easy waist-height loading from front or rear
- Eliminates overhead lifting of buckets or loading from ladders
- Allows quick reloading during serving period with minimum disruption

Added flexibility to meet varied needs

- Reliably dispenses Follett's Chewblet ice and most cubelet ice up to 1" (26mm) square
- Choice of push-button or lever ice and water actuation

Pre-configured for Follett Satellite-fill Chewblet ice icemakers

- Add one or two icemakers for labor savings and sanitation
- Consumer-preferred, chewable compressed nugget ice
- Slow melting, maintains drink temperature

JOB: _____
 ITEM: _____

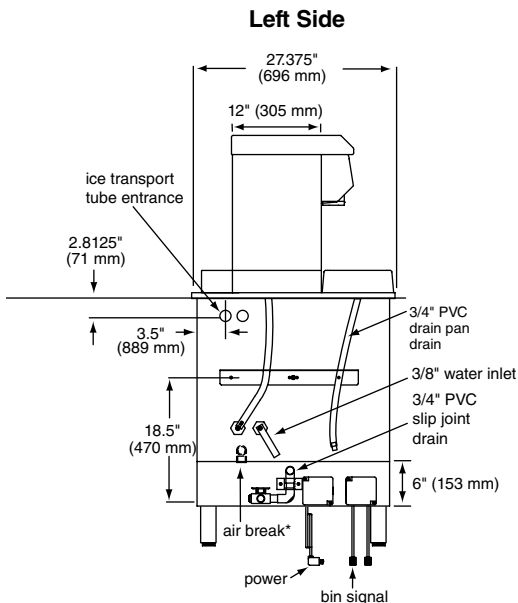


10%
 TOTAL RECOVERED FIBER
 ALL POST-CONSUMER FIBER

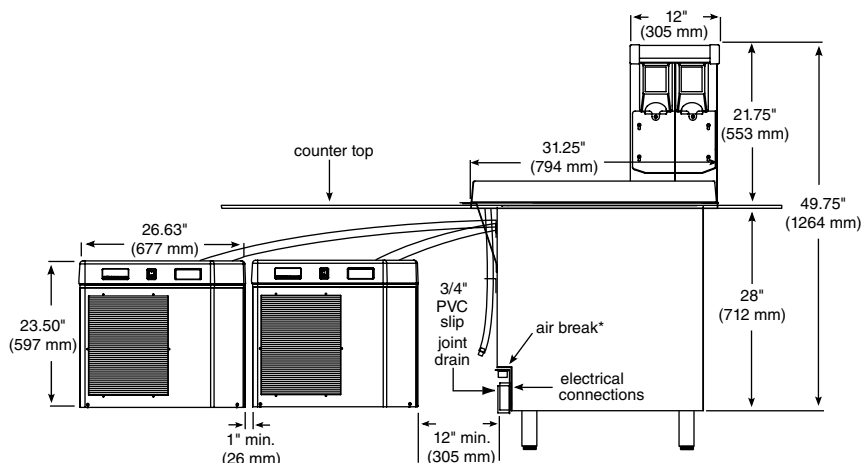
Paper certified by:
 The Forest Stewardship Council (FSC) and the Sustainable Forestry Initiative (SFI)

KaTom Restaurant Supply, Inc.





Front View – Right hand ice and water chutes
(shown with two HCC1000AVS Satellite-fill Chewblet ice icemakers)



*DO NOT CONNECT AIR BREAK TO DRAIN SYSTEM

Refer to Design Detail Sheets for important icemaker and installation information

| Icemaker series | Literature form# |
|-----------------|------------------|
| MCD400 | 3820 |
| HCC1000 | 3810 |
| HCD1000 | 3815 |
| HCC1400 | 3810 |
| HCD1400 | 3815 |

Plug Configuration (115V only)

NEMA 5-15



Connections/Installation

- Support all dispensers from below on channels or with supplied leg accessory
- Removable counter panel required for access to dispenser side opposite ice chute
- 3/4" PVC pipe nipple for bin drain and drain pan drain, 1" ID hose for beverage bath drain (do not tie drains together)
- Drawings show units with right hand ice chute – left hand units have connections in same position on right side

Required Clearances

- 51" (1295 mm) minimum above counter for installation if dispenser will be dropped into counter
- 36" (915 mm) minimum above counter for auger removal
- 12" (305 mm) minimum on side opposite ice chute for service
- 12" (305 mm) minimum on ice chute side if ice transport tube enters this side
- 12" (305 mm) minimum between dispenser side(s) and optional icemaker(s)
- Maximum counter thickness – 1.25" (31.75 mm)

Electrical 115 V, 60 Hz, 1 ph, 2.4 amps, max. dispenser fuse 15 amps

8 ft (2.4 m) cord and NEMA 5-15 hospital-grade plug provided with each dispenser. Separate circuits and disconnects required for each dispenser.

Approximate Shipping Weight 250 lbs (113 kg)

Specifications Ice and water dispenser to be Follett model _____. Dispenser to store up to 150 lbs (68 kg) of ice and allow loading of ice at waist level from front or rear. Ice and water tower and top to be of stainless steel with plastic trim. Full-length drain pan to be one-piece molded polyethylene. To include 6" to 9" (153 to 229 mm) adjustable legs for dispenser support. Storage area to be polyethylene, insulated with non-CFC foam polyurethane. Dispenser to be pre-configured to accept up to two MC_400_VS series, two HC_1000_VS series or two HC_1400_VS series Satellite-fill icemakers, sold separately. 8 ft (2.4 m) cord and NEMA 5-15 hospital-grade plug provided. Dispenser to be NSF, UL, and cUL listed.

Satellite-fill and Vision are trademarks of Follett Corporation.
Chewblet and Follett are registered trademarks of Follett Corporation, registered in the US.
Follett reserves the right to change specifications at any time without obligation. Certifications may vary depending on country of origin.