



701 S Ridge Avenue, Troy, OH 45374  
1-888-4HOBART • www.hobartcorp.com

# FP41 BOWL-STYLE FOOD PROCESSOR



## STANDARD FEATURES

- ¾ H.P. Direct Drive Motor
- Patented Bowl Scraper
- Durable Xylex Cover
- Stay Sharp Knife Blades
- Knife Speed of 1725 RPM
- Triple Safety Interlock
- User-Friendly Controls
- Compact Design
- Anodized Aluminum Base

## MODEL

- FP41 – Hobart 4 Quart, Single Speed Bowl-Style Food Processor

Specifications, Details and Dimensions on Inside and Back.



FP41 BOWL-STYLE FOOD PROCESSOR

# FP41 BOWL-STYLE FOOD PROCESSOR

**HOBART**

701 S Ridge Avenue, Troy, OH 45374  
1-888-4HOBART • www.hobartcorp.com

## SOLUTIONS/BENEFITS

### Direct Drive Motor

Durability

- $\frac{3}{4}$  H.P., 8.0 rated amps, direct driven.
- Prevents stalling and slipping.

### Patented Bowl-Scraper

Labor savings

- No need to stop unit and scrape side of bowl.

### Xylex Cover with Bowl Gasket

Durability, ease of use

- See-through design allows continuous view of product. Large tube feed makes it easy to add ingredients while processing.

### Stay Sharp Knives

Consistency, productivity

- Wider knife blades cut through more product in less time.

### 1725 RPM Knife Speed

Performance

- Ideal speed for emulsifying and pureeing foods.

### Triple Safety Interlock

Safety

- Adds protection by preventing blade rotation until the lock arm, bowl and cover are in proper position.

### User Friendly Controls

Ease of use

- Large control handle is on left side to leave the right hand free for ingredient feeding.
- Controls include ON, OFF and PULSE setting.

### Compact Design

Reduce space requirement

- Occupies minimal counter space.
- Handles are molded on both sides of housing for ease of moving unit.

### Anodized Aluminum Base with See-Through Top Cover

Durability, improved sanitation

- Easy cleanup and durable finish.
- Rubber feet on base prevents movement.

## SPECIFICATIONS

**Motor:**  $\frac{3}{4}$  H.P.

**Electrical:** 120/60/1, 8 rated amps.

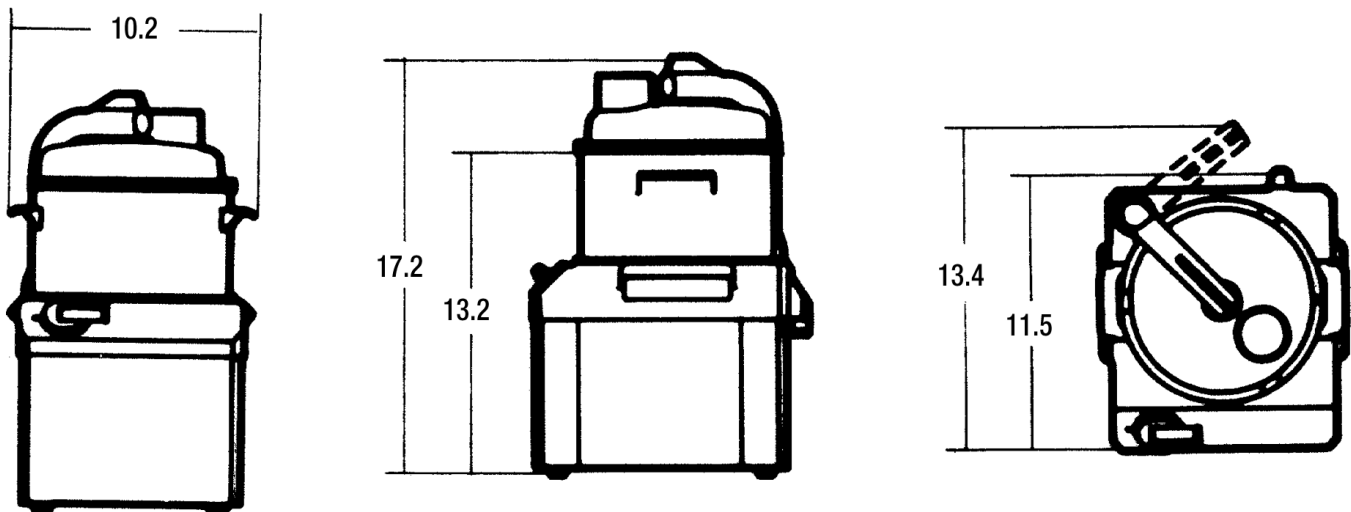
**Cord and Plug:** 3 conductor power cord (18 AWG) which is 8 feet in length.

**Switch:** ON, OFF and PULSE switch.

**Footprint:** 10.2" W x 17.2" H x 11.5" D (13.4" D with safety arm swing).

**Finish:** Anodized aluminum with Xylex top cover.

## DETAILS AND DIMENSIONS



As continued product improvement is a policy of Hobart, specifications are subject to change without notice.