

HOBART701 S Ridge Avenue, Troy, OH 45374
1-888-4HOBART • www.hobartcorp.com**SR24
DISHMACHINE****HOBART****STANDARD FEATURES**

- SR24H - 19 racks per hour;
SR24C - 14 racks per hour
- Hot water or chemical sanitizing
- 70°F rise booster heater on SR24H
- 16 gauge stainless steel tank bottom with 18 gauge stainless steel base, chamber and door
- Pumped final rinse
- Stainless steel lower front panel
- SR24H - 2.4 gallons per rack
SR24C - 2.4 gallons per rack
- Cord and plug (SR24C model)
- Revolving upper and lower anti-clogging wash/rinse arms
- Removable stainless steel scrap screen
- Automatic fill
- Corrosion resistant pump
- Flexible fill and drain hoses supplied
- Automatic pumped drain
- 16½" high door opening
- Two dishracks – one peg and one combination
- Chemical sensing module (SR24C)

STANDARD VOLTAGES

- 120/60/1 (SR24C model only)
- 120/208(3W)/60/1 (SR24H model only)
- 120/240(3W)/60/1 (SR24H model only)

OPTIONS

- Detergent pump - factory installed
(chemical sensing module included)

MODELS

- SR24H** – High Temperature Sanitizing
- SR24C** – Chemical Sanitizing

ACCESSORIES - field installed

- Detergent and/or rinse agent pump (chemical sensing device suggested)
- Chemical sensing device (SR24H only)
- Stainless steel top and side panels
- Stainless steel base with 6" legs
- 17" stainless steel stand
- Pressure regulator valve

Specifications, Details and Dimensions on Inside and Back.



Model SR24H
Built in Booster 180°F Rinse
(Shown with optional side and top panels)

SR24 DISHMACHINE

SR24 DISHMACHINE



701 S Ridge Avenue, Troy, OH 45374
1-888-4HOBART • www.hobartcorp.com

DETAILS AND DIMENSIONS

WARNING:

REQUIRED FLOWING WATER PRESSURE TO THE DISHWASHER IS TO BE 25 PSI +/- 3 PSI. IF FLOW PRESSURE IS BELOW 22 PSI, THE SUPPLY LINE PRESSURE MUST BE INCREASED. IF FLOW PRESSURE IS ABOVE 28 PSI, A PRESSURE REDUCING VALVE (NOT SUPPLIED) MUST BE INSTALLED IN THE LINE.

SR24C ONLY

IMPORTANT: THE SODIUM HYPOCHLORITE (LIQUID BLEACH) CONTAINER SHOULD BE PLACED ON THE FLOOR.

IF BLEACH CONTAINER IS TO BE PLACED IN CABINET ADJACENT TO MACHINE, A 1/2" DIA HOLE IS REQUIRED IN THE CABINET TO RUN BLEACH SUPPLY LINE.

USE ONLY 6% OR 8.4% SODIUM HYPOCHLORITE (LIQUID BLEACH) AS SANITIZING CHEMICAL TO INSURE PROPER OPERATION OF DISHWASHER.

DO NOT PRE-MIX WETTING AGENT AND SODIUM HYPOCHLORITE (LIQUID BLEACH).

CERTAIN MATERIALS INCLUDING SILVER PLATE, ALUMINUM AND PEWTER ARE ATTACKED BY SODIUM HYPOCHLORITE (LIQUID BLEACH). SEE INSTRUCTION MANUAL.

NOTES:

- ALL VERTICAL MACHINE DIMENSIONS TAKEN FROM FLOOR MAY BE INCREASED OR DECREASED BY 1/2" (FOOT ADJUSTMENT).
- MOIST AIR ESCAPES FROM THE DOOR. USE ONLY MOISTURE RESISTANT MATERIALS ADJACENT TO SR24 SIDES AND TOP.

PLUMBING NOTES:

- WATER HAMMER ARRESTOR (MEETING ASSE-1010 STANDARD OR EQUIVALENT) TO BE SUPPLIED (BY OTHERS) IN COMMON WATER SUPPLY LINE AT SERVICE CONNECTION.
- RECOMMENDED WATER HARDNESS TO BE 4-6 GRAINS FOR BEST RESULTS.
- MINIMUM WATER CONDUCTIVITY REQUIRED - 30 MICRO-MHOS/CM.
- IF DRAIN HOSE IS LOOPED ABOVE A SINK, THE LOOP MUST NOT EXCEED 38" AFF.

LEGEND:

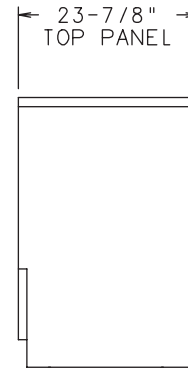
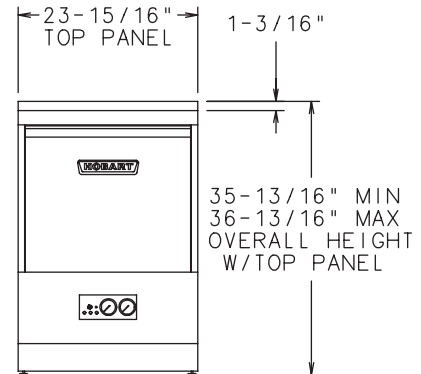
- E1 ELECTRICAL CONNECTION: SR24C: CORD AND PLUG SUPPLIED. SR24H: 1-1/8" DIA HOLE FOR 3/4" ELECTRICAL CONNECTOR; 4" AFF.
- P1 SINGLE FILL AND RINSE PIPE CONNECTION: 3/4" FEMALE GARDEN HOSE FITTING ON 6' LONG HOSE SUPPLIED. SUPPLY WATER TEMPERATURE MUST BE A MIN. OF 120°F FOR SR24C; 110°F FOR SR24H; 2-1/2" AFF.
- P2 DRAIN CONNECTION: 3/4" MPT FITTING WITH 10' HOSE SUPPLIED; 4-3/8" AFF.

WARNING

ELECTRICAL AND GROUNDING CONNECTIONS MUST COMPLY WITH THE APPLICABLE PORTIONS OF THE NATIONAL ELECTRICAL CODE AND/OR OTHER LOCAL ELECTRICAL CODES.

PLUMBING CONNECTIONS MUST COMPLY WITH APPLICABLE SANITARY, SAFETY AND PLUMBING CODES. DRAIN AND FILL LINE CONFIGURATIONS VARY, SOME METHODS ARE SHOWN ON THIS DRAWING.

DIMENSIONS WITH TOP & SIDE PANELS



MODEL	RATED AMPS	MINIMUM SUPPLY CIRCUIT CONDUCTOR AMPACITY	MAXIMUM TIME DELAY FUSE	SPECIFICATIONS
SR24C	9.0	15	15	120/60/1
SR24H	42.0	50	50	*120/208(3W)/60/1
SR24H	37.6	50	50	*120/240(3W)/60/1

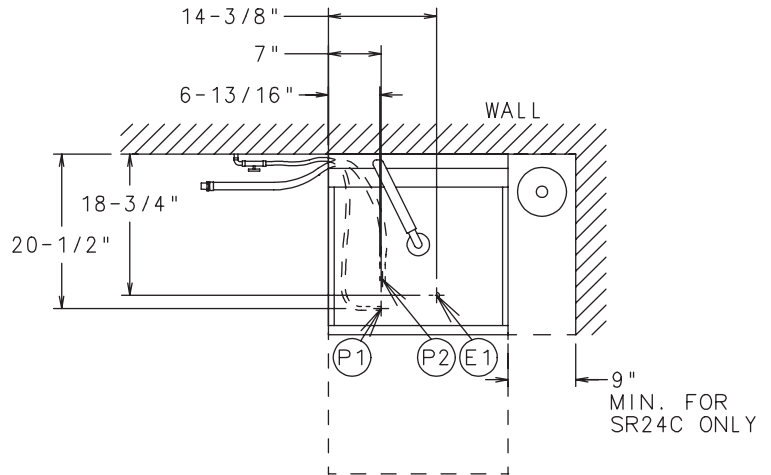
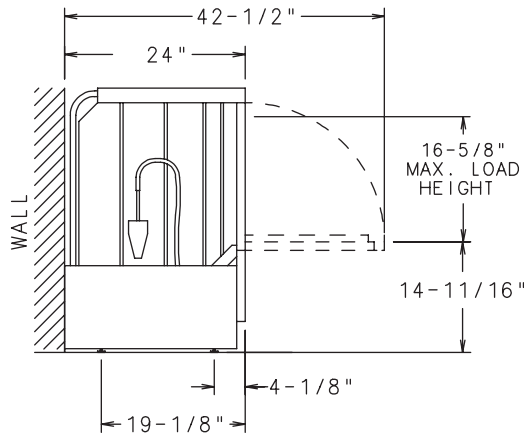
DISHWASHER WEIGHTS - lbs.		
MODEL	SHIPPING WEIGHT	NET WEIGHT
SR24C	155	135
SR24H	166	146

*THESE ARE 3 WIRE SYSTEMS THAT REQUIRE (3) #8AWG COPPER WIRES (90°C) INCLUDING A CURRENT CARRYING NEUTRAL. IN ADDITION, A FOURTH WIRE MUST BE PROVIDED FOR MACHINE GROUND. DO NOT CONNECT THESE MACHINES TO A 120 VAC CIRCUIT.

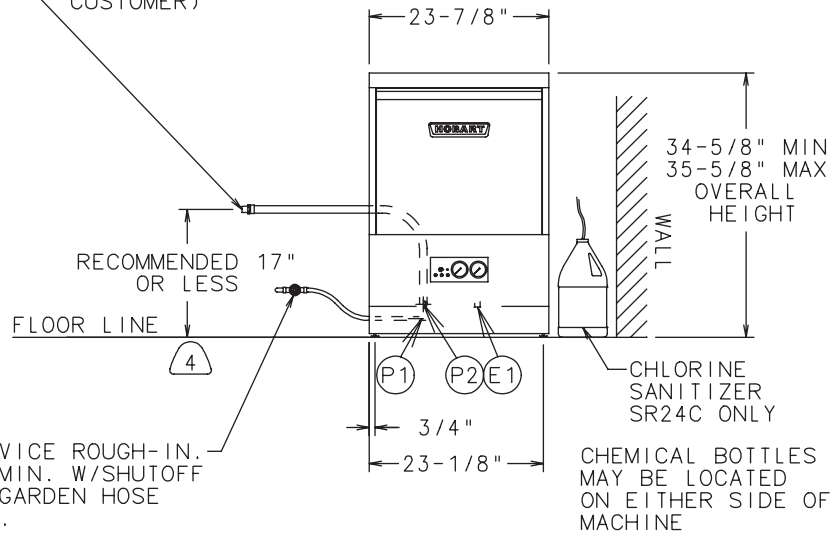


701 S Ridge Avenue, Troy, OH 45374
1-888-4HOBART • www.hobartcorp.com

SR24 DISHMACHINE



1-1/2" TRADE SIZE
PIPE MIN. REDUCED
DOWN TO 3/4" FPT
CONNECTION (BY
CUSTOMER)



RECOMMENDED WATER SERVICE ROUGH-IN.
1/2" TRADE SIZE PIPE MIN. W/SHUTOFF
VALVE, AND 3/4" MALE GARDEN HOSE
FITTING (BY CUSTOMER).

CHLORINE
SANITIZER
SR24C ONLY

CHEMICAL BOTTLES
MAY BE LOCATED
ON EITHER SIDE OF
MACHINE

MODELS: SR24C,
SR24H
D-892993
REV. E

INSTALLATION REQUIREMENTS AND INSTRUCTIONS

1. A single fill and rinse pipe connection is required. 6' flex hose supplied.
2. The electrical connection location for a 3/4" electrical connector (1 1/8" diameter hole) is provided for the SR24H model only.
3. The required electrical cord and plug are supplied on the SR24C model only.
4. Important: The sodium hypochlorite container should be placed on the floor (SR24C model only).
5. If the sodium hypochlorite container is to be placed in a cabinet adjacent to the machine, a 1/2" diameter hole is required in the cabinet to run the bleach supply line through.
6. Pumped drain 3/4" MPT fitting 10' hose supplied.
7. A supply line strainer is required. (By others)
8. If water flowing pressure is over 28 psi, install a PRV (not supplied). If water flowing pressure is under 22 psi, the supply line pressure must be increased.

SR24 DISHMACHINE



701 S Ridge Avenue, Troy, OH 45374
1-888-4HOBART • www.hobartcorp.com

SPECIFICATIONS

DESIGN: Front opening, equipped with stainless steel front. **Freestanding Models** – Top and side panels are optional. **Undercounter Models** – Not equipped with side or top panels. Adjustable feet lower overall height to 34 $\frac{1}{2}$ " minimum and raise it to 35 $\frac{5}{8}$ " maximum.

CONSTRUCTION: 16 gauge stainless steel tank bottom with 18 gauge stainless steel base, chamber and door.

PUMP: Centrifugal-type, integral with motor, vertically mounted. Pump capacity is 45 U.S. gallons per minute.

MOTOR: Built to Hobart specifications, $\frac{1}{2}$ H.P., single phase, furnished for 120/60/1, 120/208(3W)/60/1 or 120/240(3W)/60/1 electrical specification. Factory sealed lubrication.

RACKING: Will accommodate most racks from 10" x 20" (half racks) to 20" x 20". Will also accept 16" x 18" cafeteria trays.

WASH AND RINSE CYCLE: Completely automatic, controlled by an electrically energized synchronous timer. Closing the door actuates the operating cycle. When the amber cycle light goes out, the operating cycle is complete (185 seconds for the SR24H models and 215 seconds for the SR24C model). The cycle may be interrupted at any time by opening the door. Cycle continues when the door is closed.

WASH: Revolving upper and lower hydrosweep wash arms with unrestricted openings provide thorough distribution of water and are easily removed for cleaning. Uses a single water fill connection.

RINSE AND SANITATION:

SR24H Model – Sanitation accomplished by means of a built-in 7 kW electric booster (with stainless steel tank) designed to raise the water to 180°F (based on incoming water temperature of 110°F).

SR24C Model – Low temperature/chemical sanitizing: Accomplished by filling the sump with 120°F fresh water and pumping it through revolving wash arms. The required amount of 6.0% sodium hypochlorite (liquid bleach) is dispensed into the final rinse water from a container to achieve a minimum 50 PPM sanitizing solution. Injection of the sodium hypochlorite is accurately accomplished by a Hobart sanitizing chemical pump. The chemical sensing module signals the operator by a flashing light and a periodic alarm, when the sanitizer solution has been depleted. The customer must supply sanitizer solution and container. NOTE: NSF minimum 120°F.

MACHINE RATINGS		SR24H	SR24C
Racks per Hour		19	14
Dishes per Hour (average of 25 per rack)		475	350
Glasses per Hour (average of 45 per rack)		855	630
Overall Dimensions (width x depth x height) – inches (without panels)		24 x 24 x 34 $\frac{1}{2}$ min. (35 $\frac{5}{8}$ max.)	24 x 24 x 34 $\frac{1}{2}$ min. (35 $\frac{5}{8}$ max.)
(with top & side panels)		24 x 24 x 35 $\frac{13}{16}$ min. (36 $\frac{13}{16}$ max.)	24 x 24 x 35 $\frac{13}{16}$ min. (36 $\frac{13}{16}$ max.)
Wash Motor – HP		$\frac{1}{2}$	$\frac{1}{2}$
Tank Capacity – U.S. Gallons		1.8	1.8
Pump Capacity – U.S. Gallons per minute – Weir Test		45	45
7 KW Electric Booster Heater		Standard	N/A
Sanitizing Chemical Pump with a Chemical Alarm		N/A	Standard
Hot Water Consumption at 22 psi	Wash Cycle – U.S. Gallons per rack	1.2	1.2
	Rinse Cycle – U.S. Gallons per rack	1.2	1.2
	U.S. Gallons per hour	46	34
Hot Water Consumption at 28 psi	Wash Cycle – U.S. Gallons per rack	1.4	1.3
	Rinse Cycle – U.S. Gallons per rack	1.4	1.3
	U.S. Gallons per hour	53	36
Minimum Flow Rate – U.S. Gallons per minute		4.5	4.5
Peak Rate of Drain Flow – U.S. Gallons per minute (Initial rate with full tank)		10	10
Minimum Water Temperature – Wash Cycle – Rinse Cycle		150°F 180°F	120°F
Shipping Weight Crated – Approximate lbs.		166	155
Minimum Hot Water Supply Temperature		110°F	120°F
Detergent Pump – If Factory Installed, a Chemical Alarm is Included		Optional	Optional
Rinse Aid Pump		Accessory	Accessory

As continued product improvement is a policy of Hobart, specifications are subject to change without notice.