



# eikon™ e6

Project: \_\_\_\_\_  
 Item: \_\_\_\_\_  
 Quantity: \_\_\_\_\_  
 Approval: \_\_\_\_\_  
 Date: \_\_\_\_\_

eikon™ e6

## Model

e6



## Standard Features

- Advanced Cooking Technology® with planar plume, radiant and microwave technologies for faster, even heating and browning
- “Ventless” Cooking” capabilities through built-in catalytic converter with full protein capabilities
- Ability to use a standard metal baking pan while in convection/microwave mode
- Automatic voltage detection (U.S. only)
- Up to ten (10) times faster than conventional cooking methods
- Power management system keeps power below 20 or 30 amps.
- Quiet operation - maximum noise level of 65 dBA in idle mode

\*Local codes prevail. These are the “authority having jurisdiction” as stated by the National Fire Protection Association, Inc., in NFPA96-1994.

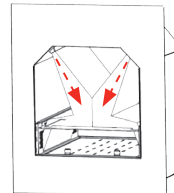
## Specifications

### Construction

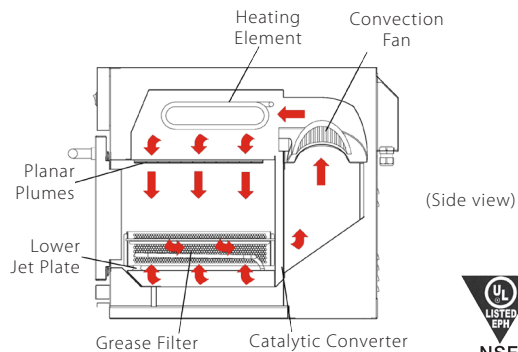
- 430 stainless steel casework and 304 stainless steel interior cavity
- Easily removable and cleanable grease and cooling air filters

### EasyToUCH™ Control Panel

- Icon driven, color touch screen control panel with the capability of storing up to 1,024 multi-stage recipe programs
- Each program offers up to six (6) stages with programmable cooking times, microwave power settings and user instructions for each stage
- Self diagnostics capability to monitor components
- Easy menu updates or data transfer via USB memory stick
- Multi-languages available



The e6 utilizes a new and patented heat transfer method called “planar plumes”. Heated air is directed into planes which collide above the food surface and are then drawn around the food.



Model  e6

Merrychef U.S.A  
1111 N. Hadley Rd.  
Ft. Wayne, IN 46804

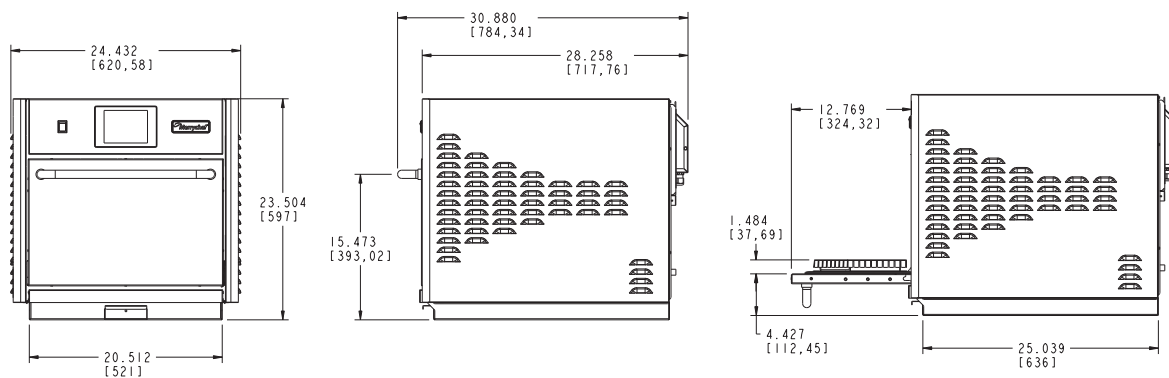
Tel: 888.417.5462  
Fax: 800.285-9511  
E-Mail: info@merrychefusa.com

www.merrychefusa.com



Overall Size			
Width	24.4"	619.76 mm	
Depth (overall with handle)	30.9"	784.86 mm	
Depth (door open 90 degrees)	41"	1041.4 mm	
Weight	210 lbs.	95 kg	
Oven Cavity Dimensions			
Height	10"	254 mm	
Width	14.4"	365.7 mm	
Depth	14.3"	363.2 mm	
Wall Clearance			
Top	2"	50.8 mm	
Sides	2"	50.8 mm	
Electrical Specifications			
	20A	Radiant	30A
Phase	1ph	1ph	1ph
Voltage	208/240	208/240	208/240
Frequency	60Hz	60Hz	60Hz
Amperage Requirement	20 Amp	30 Amp	30 Amp
Cord Length	6'	6'	6'
Max Power Rate	4150W	5750W	5720W
Power Output (Microwave)	2000W	2000W	2000W
Power Output (Heater)	3718W	4050W	3718W
Plug			
	NEMA 6-20P	NEMA 6-30P	NEMA 6-30P

Specifications	
Control System	easyToUCH™, iconic symbol touch screen control panel
Cooking Stages	6
Total Cooking Programs	1024
Maximum Cooking Time	60 Min
Defrost	No
Microwave Distribution System	Rotating Active Antennae
Magnetron(s)	1
Display	LCD Backlit
Interior Light	No
Automatic Voltage Sensor	Yes
USB & Menu Updates Software	Yes
Temperature Range	212-527°F (100-275°C)
Temperature Increments	1°F
Air Filter	Yes - Air & grease
Fan Speed	10%-100%
Fan Speed Increments	1%
Microwave Power	0-100%
Microwave Power Increments	1%
Rack Option	No
Turntable	No
Stackable	No
Warranty	1 year parts and labor
Accessories in Box	
Operator Manual/Cleaning Instructions	1 Unit
Bottle Cleaner	1 Unit
Bottle Guard	1 Unit
Trigger Sprays	2 Units
Cool Down Tray	1 Unit
USB Menu Key	1 Unit



For further information on Merrychef products and service or advice on which machine suits you best please contact your sales representative or visit our website at [www.merrychefusa.com](http://www.merrychefusa.com).

Model  e6

Merrychef U.S.A  
1111 N. Hadley Rd.  
Ft. Wayne, IN 46804

Tel: 888.417.5462  
Fax: 800.285-9511  
E-Mail: [info@merrychefusa.com](mailto:info@merrychefusa.com)

[www.merrychefusa.com](http://www.merrychefusa.com)  
© 2012 Merrychef U.S.A.  
08/12

