

Left/Right-handed configuration shown.

### HEARTH CAPACITY

8" pizzas:	20
10" pizzas:	14
12" pizzas:	10
16" pizzas:	6

Assuming 5-minute cook times, the approximate maximum hourly production capacity can be calculated by multiplying the above numbers by 12. Cook times will also vary depending on "style" of pizza. Note: The addition of a decorative flame will decrease space and impact overall cooking capacity.

### GUIDE TO MODEL NUMBERS

	Underfloor IR Burner	Left Side Radiant Flame	Right Side Radiant Flame	Decorative Flame (-DF)	Wood Required	Combination	Natural Gas	Liquid Propane
WS-FD-8645-RFG-L/R-IR	X	X	X	-DF			-NG	-LP
WS-FD-8645-RFG-L-IR-W	X	X			X	X	-NG	-LP
WS-FD-8645-RFG-R-IR-W	X		X		X	X	-NG	-LP
WS-FD-8645-W-IR	X				X		-NG	-LP
WS-FD-8645-W					X			

Job Name	
Model	WS-FD-8645
Item#	

The Fire Deck 8645 oven features a door opening 56 inches wide x 10 inches high, complimented by a glass heat shield and stainless steel mantle. The cooking area is 68 inches wide x 32 inches deep, resulting in a 15-square-foot cooking surface. A tensioned steel exoskeleton surrounding the hearth and dome perimeter ensure structural integrity and longevity. Wrapped in spun ceramic fiber insulation and requiring only 1-inch side clearance to combustibles, the monolithic 4-inch thick cast-ceramic hearth and monolithic 4-inch thick dome rest on a black painted steel stand. The oven body front is finished with stainless steel; galvanized steel is used for the top, back and sides. The oven arrives completely assembled, ETL Listed, ready to install, and is made in the USA. A set of optional rigging casters is available to aid in the initial installation. Information about custom finishes, tools, and accessories can be found online at: woodstone-corp.com.

### FUEL CONFIGURATIONS

**GAS-FIRED ONLY:** Configured to burn either natural gas (NG) or liquid propane (LP)\*.

**RADIANT FLAME + UNDERFLOOR IR (RFG-IR):**

Heated by an easily adjustable radiant flame located on both sides of the cooking chamber, along with a thermostatically controlled infrared burner which is mounted under the oven deck to ensure high production capacity.

**DECORATIVE FLAME:** Provides an additional 15,000 BTU/hr flame at the rear of the cooking chamber for show.

**WOOD-FIRED (W):** Wood-fired only.

**WOOD WITH GAS ASSIST (W-IR):** This wood-fired model is assisted by the additional BTU/hr of an Underfloor IR burner. NOTE: A wood fire is required with this configuration.

**COMBINATION (-W):** Allows optional wood burning for ovens with gas burner configurations.

\*Gas type must be specified at time of order.



t. 360.650.1111  
tf. 800.988.8103  
f. 360.650.1166

Wood Stone Corporation  
1801 W. Bakerview Rd.  
Bellingham, WA 98226 USA  
info@woodstone-corp.com  
woodstone-corp.com

REVISED: SUMMER 2014

An ongoing program of product improvement may require us to change specifications without notice.



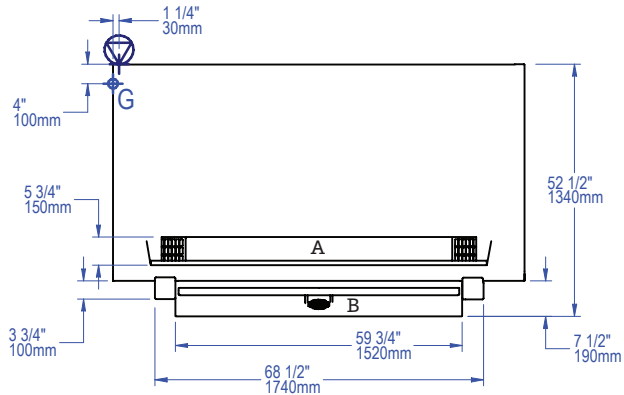


# FIRE DECK 8645

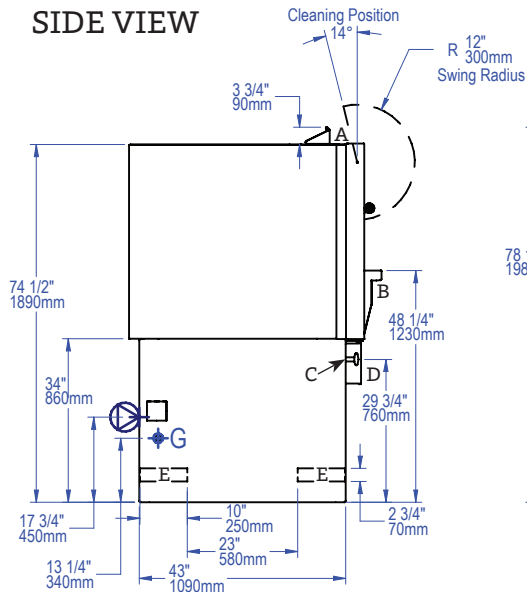
## STONE HEARTH OVEN • WS-FD-8645

A	Exhaust
B	Mantle
C	Flame Height Control Knob
D	Digital Controller
E	Forklift Pockets
	Electrical Connection
	Gas Connection
F	Service Panel or Optional Storage Box
	Must Be Left Removable for Service
	Do Not Facade or Cover Over

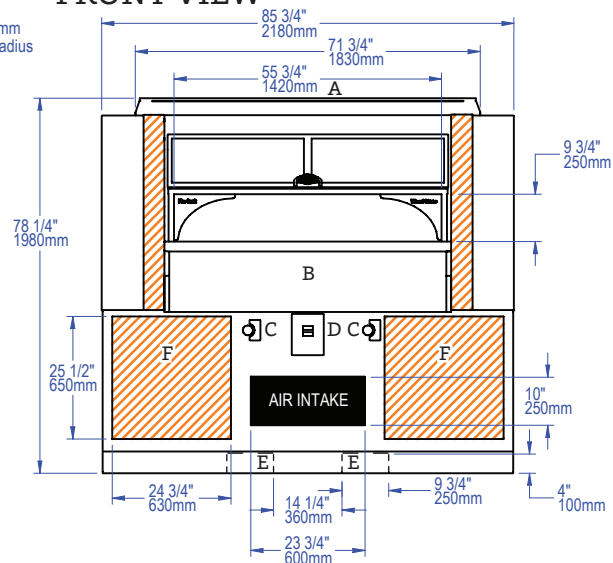
### PLAN VIEW



### SIDE VIEW



### FRONT VIEW



### UTILITIES SPECIFICATIONS

**GAS**  
**Gas-Fired Only and Combination**  
 3/4 inch gas inlet (FNPT)  
 225,000 BTU/hr - Natural Gas (NG)  
 OR  
 200,000 BTU/hr - Propane (LP)

	BTU/hr Output Per Burner	
Radiant Flame Burner	90,000 NG	75,000 LP
IR Burner	45,000 NG	50,000 LP
Decorative Flame Adds	15,000 NG	15,000 LP

**ELECTRICAL**  
**Gas-Fired Only and Combination**  
 120 VAC, 1.1 A, 50/60 Hz  
 Connection made on left side of oven as shown.

**IMPORTANT - Models with -W in the model number must be vented as a solid fuel appliance.**

### VENTING INFORMATION

The Fire Deck 8645 must be vented using a Listed Type 1 exhaust hood, or a hood constructed and installed in accordance with NFPA 96 and all relevant local and national codes. The oven must be vented in accordance with all relevant local and national codes, and in a manner acceptable to the authority having jurisdiction.

**Unit Shipping Weight: 4,350 lbs.**

REVISED: SUMMER 2014

An ongoing program of product improvement may require us to change specifications without notice.



t. 360.650.1111  
 tf. 800.988.8103  
 f. 360.650.1166

Wood Stone Corporation  
 1801 W. Bakerview Rd.  
 Bellingham, WA 98226 USA  
[info@woodstone-corp.com](mailto:info@woodstone-corp.com)  
[woodstone-corp.com](http://woodstone-corp.com)