

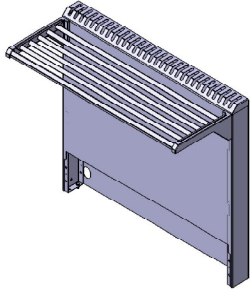


Project Name \_\_\_\_\_

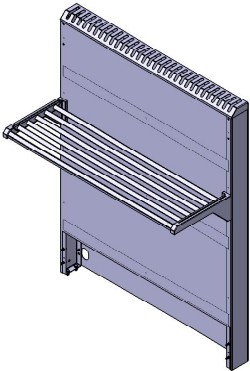
Item No. \_\_\_\_\_

Quantity \_\_\_\_\_

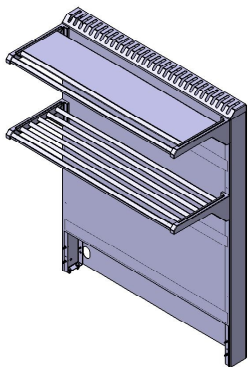
## Flue Risers and Shelves



- Stainless Steel Half Back, 25" High, V\_\_HB
- Stainless Steel Half Back with Single Solid Shelf, V\_\_HSS
- Stainless Steel Half Back with Single Tubular Shelf, V\_\_HST (shown)



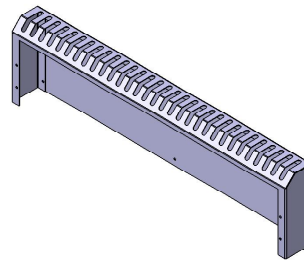
- Stainless Steel Tall Back, 39" High, V\_\_TB
- Stainless Steel Tall Back with Single Solid Shelf, V\_\_TSS
- Stainless Steel Tall Back with Single Tubular Shelves, V\_\_TST (shown)



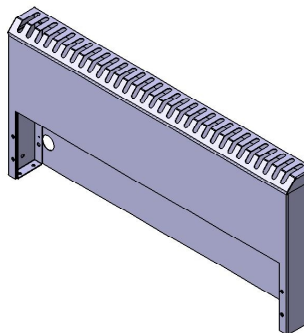
- Stainless Steel Tall Back with Double Tubular Shelves, V\_\_TDT
- Stainless Steel Tall Back with Double Solid Shelves, V\_\_TDS
- Stainless Steel Tall Back with Double Mixed Shelves, V\_\_TMS (shown)

### STANDARD FEATURES

- Stainless steel front and sides
- Welded body construction
- Slotted stainless steel flue cap
- Shelves and flue cap are removable for ease of cleaning
- Solid shelf and tube shelf are interchangeable
- Standard riser sizes available in 12", 18", 24", 30", 36", 48", 54", 60", 72", 84", 90", 96", 102", and 108" widths
- Standard sizes of shelves are 12", 18", 24", 30", 36", and 48"
- Risers and shelves are also available in custom widths
- Final riser and shelf model number will depend on shelf and appliance configurations. Please consult sales representative for additional information.
- All risers and shelves longer than 48" will have a custom model number designation (C prefix)



- Stainless Steel Island Trim, 1.25" High, V\_\_IT



- Stainless Steel Low Back, 17" High, V\_\_LB

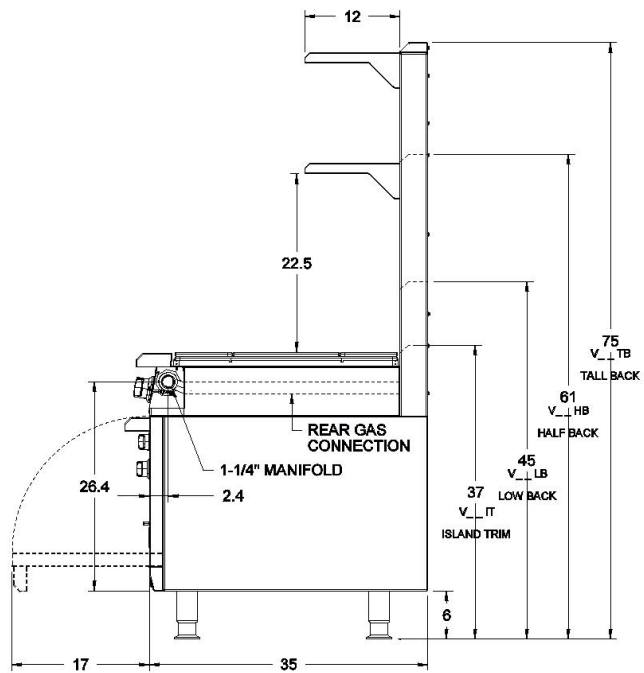
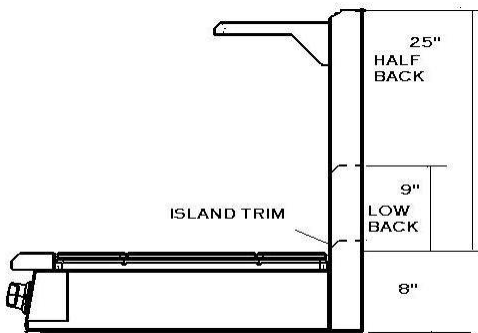
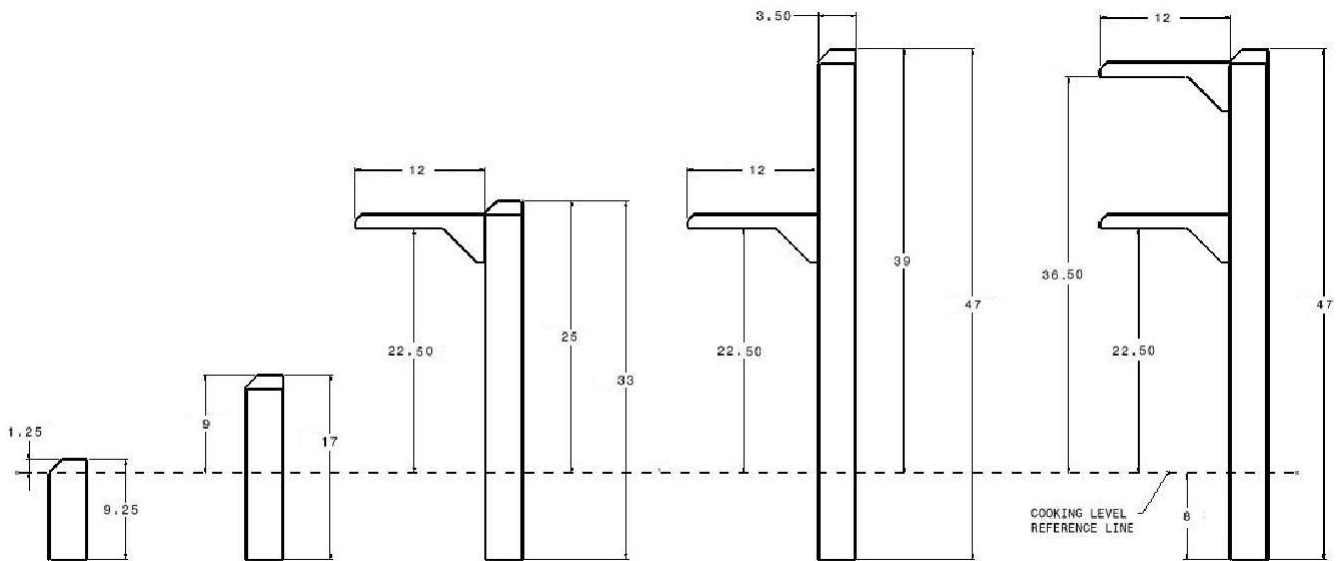
**Note:** All Viking units are modular. Rangetops are separate units and have separate model numbers from bases. To complete a range there must be a base item added, such as oven, cabinet base, refrigerated base or legs.

**Example:** A 6 burner range with oven would be a V36B6 plus a V36SO



Project Name \_\_\_\_\_

Item No. \_\_\_\_\_



**Note:** Viking Commercial products are not approved or recommended for residential use.

**Note:** In line with company policies, Viking Range Corporation reserves the right to change material and specifications without notice.