

FLAIR

MODEL # FLAIR



| |
|--------------|
| Item #: |
| Description: |
| Quantity: |

PRODUCT INFORMATION

The Flair offers the ultimate user convenience. Having many of the same features as the higher volume Franke superautomatic espresso machines; the Flair delivers consistent high quality for low volume applications. The Flair can make cappuccinos and lattes at the touch of a button and the hot water outlet and steam arm adds to beverage flexibility. The machine can be paired with a separate Milkmate cooler. Storing one (1) gallon US milk jugs, the Milkmate keeps milk cool and enclosed. The Flair is an ideal solution for fine dining, office coffee, hospitality and catering.

FEATURES

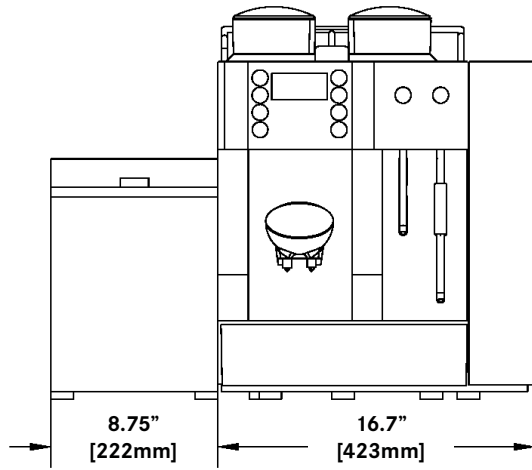
- Illuminated LCD display
- One touch grind, tamp and brew
- 8 programmable beverages
- 2 grinders for regular and decaf coffee
- Adjustable height coffee dispenser accommodates cup sizes 3.5" - 6.5"
- (2) 0.5 lb bean hoppers
- Hot water outlet
- Steam arm
- Self-contained water tank
- In-tank water filtration
- Fixed water connection optional
- Installation and maintenance guide provided
- 12 month parts and labor warranty (mail in only)



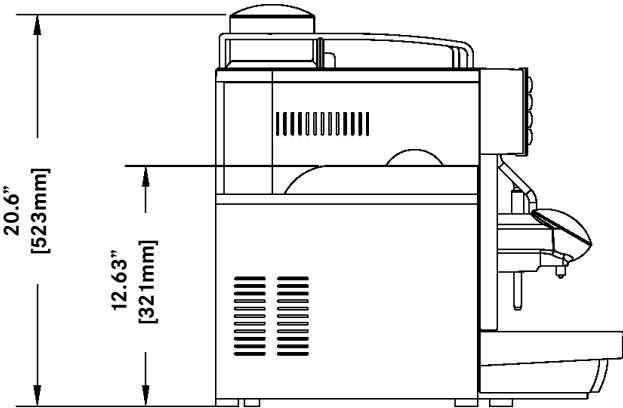
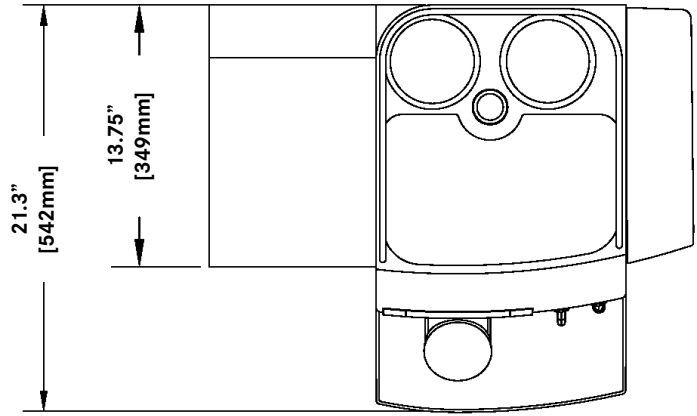
(Milkmate only)

*Make
it
Wonderful*





*Shown with milkmate



5-15R



| ELECTRICAL | V/Ph/Hz | Wattage | Amp Load | Amp Circuit | Plug | SHIPPING* | FOB | Freight Class | Ship Weight |
|------------|----------------|-----------------|-----------------|-----------------|------------|---------------------|--|---------------|----------------------|
| | Flair | 110V/1/60 | 1500W | 13.6 A | 15 A | | NEMA 5-15P | Flair | 37334 |
| Milkmate | 120V/1/60 | 60W | 0.5 A | 15 A | NEMA 5-15P | Flair with Milkmate | 37334 | LTL 250 | 123 lbs skidded |
| DIMENSIONS | Width | Depth | Height | | | | WATER | Water Line | Water Hardness |
| | Flair | 16.65" 423mm | 21.34" 542mm | 20.59" 523mm | | | | Flair | 1.3g (5L) water tank |
| Milkmate | 8.75" 222mm | 13.74" 349mm | 12.64" 321mm | | | | *Shipping weights include an extra 15lbs for water filter and install kits | | |

©2015 Franke Foodservice Systems, Inc. - This media is the confidential and proprietary property of Franke Foodservice Systems, Inc. and shall not be reproduced in any form of media without the expressed written permission of a Franke representative. Due to continuous product development, Franke Foodservice Systems, Inc., reserves the right to make changes in design and specifications without prior notice. Under license Franke Technology and Trademark Ltd., Switzerland. Printed in USA.

Franke Coffee Systems Americas
 800 Aviation Parkway
 Smyrna, TN 37167
 Tel +1-877-379-3769
 frankeamericas.com

