

# PFC SERIES MODELS

VENTLESS/HOODLESS COUNTERTOP DEEP FRYER

Advanced by Design



- SELF VENTING
- ODORLESS
- HEPA STYLE AIR FILTRATION
- INTEGRAL FIRE SUPPRESSION
- PROGRAMMABLE CONTROLS
- EASY TO CLEAN
- SMALL FOOTPRINT
- LARGE OUTPUT
- MODULAR DESIGN



PERFECT FRY COMPANY LLC  
Mailing Address:  
P.O. Box 501  
Concord, NH 03302-0501  
Shipping Address:  
10 Ferry St.  
Concord, NH 03301

GENERAL INFORMATION:  
Phone: 1-603-225-6684  
Fax: 1-603-225-8472  
Email: profits@perfectfry.com  
L10-378 R5

[www.PerfectFry.com](http://www.PerfectFry.com)

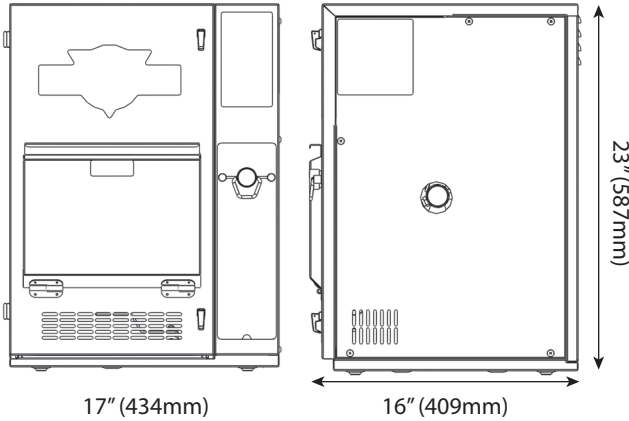
*The Benchmark in Ventless Deep Frying*



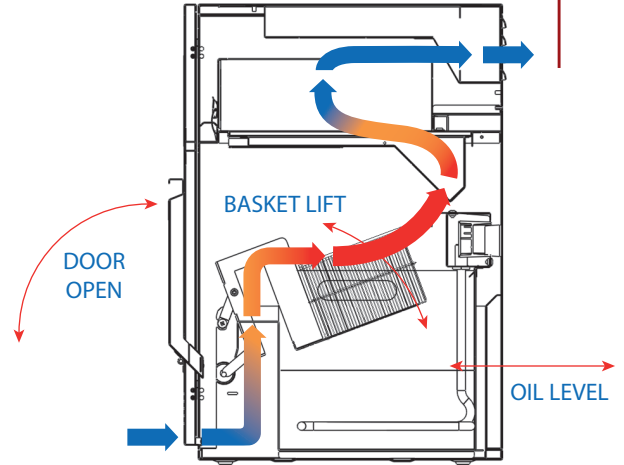
## CLEARANCES

### CLEARANCES

1" all around and 0" on top.



## AIRFLOW DIAGRAM

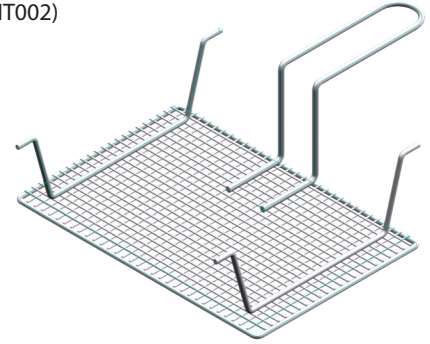


## SPECIFICATIONS TABLE

MODEL	PFC570	PFC375	PFC570	PFC187
ORDER NUMBER	Contact Customer Service, 603-225-6684			
POWER SUPPLY (volts)	240	240	208	120
CURRENT (amps)	24	16	27	16
CIRCUIT CURRENT (amps)	30	20	Min 30**	20
CORD OPTION	Power Cord, NEMA 6-50 Plug	Power Cord, NEMA 6-20 Plug	Power Cord, NEMA 6-50 Plug	Power Cord, NEMA 5-20Plug
POWER (kilowatts)	5.7	3.8	5.7	1.9
CAPACITY (lbs/hr)*	60	45	60	30

## BASKETS

**OPTIONAL BASKET COVER**  
(ordered separately  
part no. 6HT002)



## GENERAL SPECIFICATIONS

### (All Models)

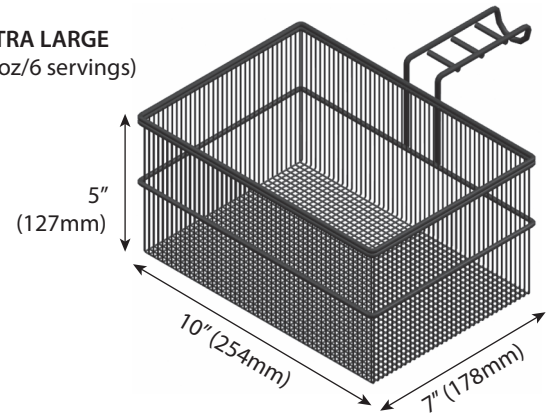
International models available upon request.

\*Based on up to 1 1/2 minute fast fries.

\*\*For use on an individual branch circuit rated 30A minimum. For supply connectors, use minimum no. 10AWG wire (30A rated). This fryer must be properly connected to a grounded, dedicated 208 VAC single phase circuit according to local installation standards and codes.

Phase	Single (3 wire)
Cycles	50/60 Hz
Weight	80 lbs (36 kg)
Shipping Weight	95 lbs (43 kg)
Shipping Dimensions	Depth 22" (559 mm) Width 22" (559 mm) Height 27" (686 mm)
Shipping Cube	7.56 ft <sup>3</sup> (.214 m <sup>3</sup> )
Oil Capacity	2 US Gallons (8 L)
Construction	304 Stainless Steel
***Locking Cabinet Option Also Available	

**EXTRA LARGE**  
(32oz/6 servings)



SPECIFICATIONS SUBJECT TO CHANGE WITHOUT NOTICE.

© 2013 Perfect Fry Company LLC. PRINTED IN USA.

L10-378 R5

