



Countertop Steamer

Electric - 4-Pan or 6-Pan, Pressureless & Boilerless

Model: ST-4E, ST-6E

LoLo Steamer Performance Features:

- Stainless steel exterior surround & cooking compartment
- Safe, pressureless, free-venting design
- Trouble-free boilerless operation (no deliming)
- Choice of: Hi Performance, Energy Efficient & Standby Modes
- Heating elements mounted under steam compartment
- Full 4 or 6 [2-1/2" (65 mm)-deep] pan capacity
- Auto-fill water connection – no manual fill required
- Large 1.5" (38 mm) drain with water-cooling spray
- Solid door with continuous piano hinge
- Easy-access, hands-free door latch
- Removable, front-mounted condensate drip tray
- Dual voltage & phase conversion for easy installation
- Simple, right-side-mounted control center

LoLo Steamer Control & Safety Features:

- Power ON switch with green indicator
- Amber steam READY light
- 60-minute timer initiates steaming
- Three position cook-mode switch for:
 - Hi Performance – a la carté Cooking
 - Energy Saving - Batch Steaming
 - Standby (Ready) Mode
- Manual compartment drain valve/handle
- Door-open power cutoff switch
- Upper & lower water fill-level valves
- High-limit element protection

LoLo Steamer Available Accessories:

- 4" (102 mm) high (tabletop) leg kit
- Stainless steel support stand (Some assembly required)
- Flanged feet kit (set of 4), height adjustable
- Heat shield (Specify: 4-pan or 6-pan model)
- Compartment bottom water grate



LoLo Short Specification:

Steamer to be a **LoLo Model ST-4E** or **ST-6E** (specify one), electric-heated, pressureless, boilerless model with **four** (or **six**) 2-1/2"-deep steamer pan capacity; steam created in the cooking compartment by bottom-mounted heating elements, with auto-fill water connection and free-venting drain, with Hi Performance, Energy Efficient and Standby modes; solid door with continuous hinge and no-hands latch; with simple right-side control center; and all the performance features listed, plus any accessories checked.

LoLo Value Proposition:

- Low Price – Why pay more?
- Local Inventory – Why wait for factory shipment?
- Local Parts & Service – plus factory 800# support!
- Made in the U.S.A. by skilled men & women!

LoLo Commercial Foodservice Cooking Equipment

5925 I-55 South, Byram, MS 39272

877.246.5656

www.getlolo.com

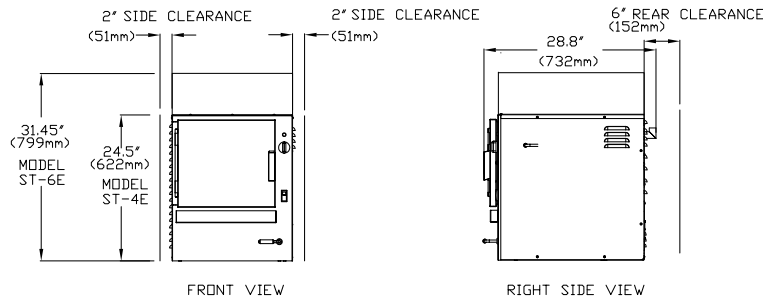
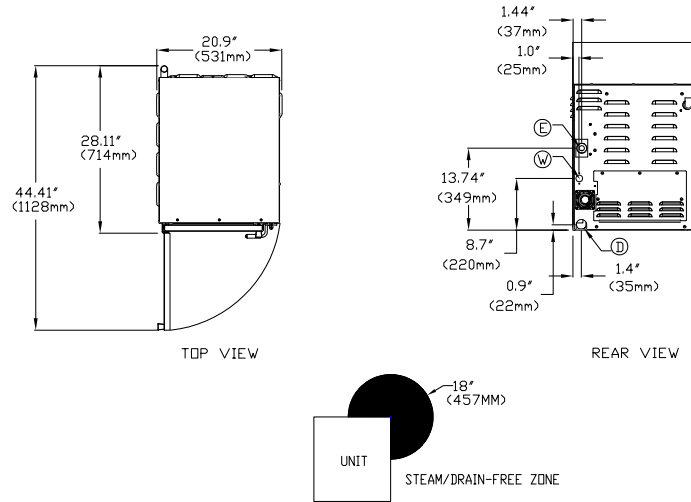
159753 Rev 1 Issued: 9/2012



Countertop Steamer

Electric - 4-Pan or 6-Pan, Pressureless & Boilerless

Model: ST-4E, ST-6E



| Key Dimensions: US/metric* | | | (W) Water & (D) Drain Requirements | |
|----------------------------|----------------|----------------|------------------------------------|-----------------|
| | Model ST-4E | Model ST-6E | Water connection via: | 3/4" NH (hose) |
| Unit Width: | 20.9" 531 mm | 21.09" 536 mm | Min. Water Pressure: | 30 PSI |
| Height: | 24.5" 622 mm | 31.45" 799 mm | Max. Water Pressure: | 60 PSI |
| Unit Depth: | 28.8" 732 mm | 28.8" 732 mm | Volume Minimum: | 2.0 gallon/min. |
| Ship. Weight: | 220 lbs 100 kg | 275 lbs 125 kg | **Drain connection via: | 1.5" (38 mm) ID |

* See drawing above for required left, right & rear clearance and steam-free zone.

** Drain connection must be free-venting, with continuous downward slope to drain.

Note: Do not install steamer directly over a steam-venting floor drain, unless drain services this steamer ONLY.
 See STEAM/DRAIN FREE ZONE drawing.

| (E) Electric Requirements | | | | | | | | |
|---------------------------|--------------|----|-------------|------|--------------|------|-------------|------|
| | ST-4E Models | | | | ST-6E Models | | | |
| Voltage* | 208* / 240* | | 208* / 240* | | 208* / 240* | | 208* / 240* | |
| kW: | 9 | 12 | 9 | 12 | 10.8 | 14.4 | 10.8 | 14.4 |
| Phase*: | 1 | 1 | 3 | 3 | 1 | 1 | 3 | 3 |
| Hz/Cycles: | 60 | 60 | 60 | 60 | 60 | 60 | 60 | 60 |
| Amps: | 43.3 | 50 | 25 | 28.9 | 52 | 60 | 30 | 34.7 |

* Ships dual voltage, field convertible to single phase by qualified electrician.

Due to LoLo continuous product and value improvements, specifications are subject to change without notice.



LoLo Commercial Foodservice Cooking Equipment

5925 I-55 South, Byram, MS 39272

877.246.5656

www.getlolo.com

159753 Rev 1 Issued: 9/2012