

BLACK◆DIAMOND

Heavy Duty Gas Charbroilers - BDCTC Series

Black Diamond's heavy duty radiant gas countertop charbroilers are designed for use with either natural or LP gas. Constructed of stainless steel front and sides that are fully welded, these units are able to stand the toughest of kitchen environments.



BDCTC-24
BDCTC-36
BDCTC-48

Available in
NG and LPG

Standard Features

- ◆ Stainless steel front bullnose design and side construction that's fully welded for extra durability
- ◆ 20,000 BTU per burner
- ◆ One cast iron burner every 6" grate width
- ◆ Cast iron grill grates are reversible and height adjustable
- ◆ 4"-5" adjustable legs
- ◆ Separate gas valves for each burner with standing pilot ignition system
- ◆ Removable stainless steel drip tray for easy cleaning
- ◆ 3/4" rear NPT gas inlet
- ◆ ETL Listed and ETL Sanitation



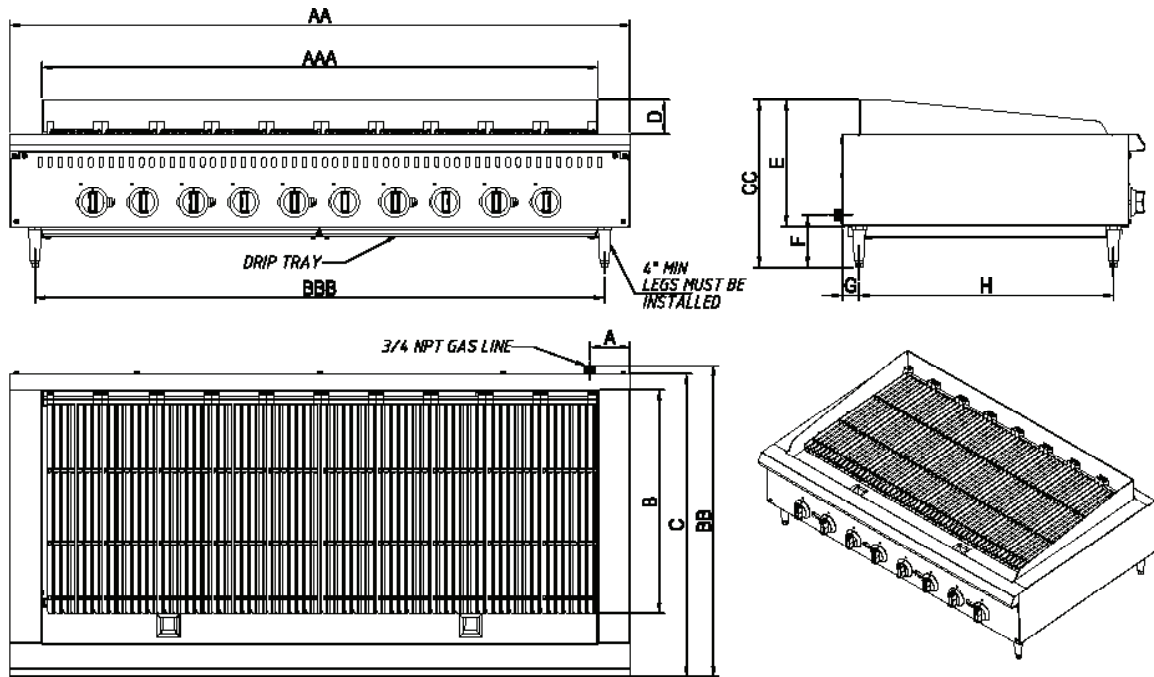
Black Diamond warrants this product to be free of defects in materials and workmanship for period of 1 year from the date of original installation.

Model	Overall Width	Burners	Total BTU	Net Weight (lb)	Gross Weight (lb)
BDCTC-24	24"	4	80,000	209	243
BDCTC-36	36"	6	120,000	302	335
BDCTC-48	48"	8	160,000	388	421

BLACK◆DIAMOND

Heavy Duty Gas Charbroilers - BDCTC Series

Plan View



Unit Dimensions (inches)

Model	A	B	C	D	E	F	G	H	AAA	BBB	AA	BB	CC
BDCTC-24	3.75	21.75	30.5	3.25	12.25	5	1.5	24.5	21.5	22.75	24	30	16.25
BDCTC-36	3.75	21.75	30.5	3.25	12.25	5	1.5	24.5	32.3	33.6	36	30	16.25
BDCTC-48	3.75	21.75	30.5	3.25	12.25	5	1.5	24.5	43	43.25	48	30	16.25

Drip Tray (inches)

Model	Width	Depth	Height	Drip Tray Qty
BDCTC-24	21.25	24.5	0.75	1
BDCTC-36	32	24.5	0.75	1
BDCTC-48	21.25	24.5	0.75	2