

50Hz

- KD-0600A
- KY-0600A

K-0600 Ice Kube Machine



- Easy access to food zone with removal of two screws and lift-off door
- High-tech exterior with smudge and fingerprint resistant stainless-like finish
- White plastics in the food zone help identify areas needing cleaning
- Water shield, distribution tube, pump, floats, and trough removable by hand
- Available CleanAir™ pack controls the growth of bacteria and fungi that form slime and cause odors in the food zone

K-0600
ICE KUBE MACHINE



HALF KUBE
 $\frac{3}{8}'' \times 1\frac{1}{8}'' \times \frac{7}{8}''$
 (.95 x 2.86 x 2.22 cm)

❄️ = 100%
 💧



KUBE
 $\frac{7}{8}'' \times \frac{7}{8}'' \times \frac{7}{8}''$
 (2.22 x 2.22 x 2.22 cm)

❄️ = 100%
 💧

Refrigerant R410A

KOOLAIRE®
 by **Manitowoc**

[www.kool-aire.com]



Manitowoc Deutschland GmbH
 Auf der Weih 11
 35745 Herborn
 Germany
 Tel: 0 27 72 - 5805 0
 Fax: 0 27 72 - 5805 70
 E-mail: info@manitowoc-de.com
www.manitowoc-de.com

Manitowoc Foodservice Iberia, S.A.U.
 C/ Textil, 6 Pol. Ind. La Ferreria -
 08110 Montcada i Reixac Barcelona
 Spain
 Tel: (+34) 902 20 10 69
 Fax: (+34) 93 348 15 09
 E-mail: fraubcn@frau.es
www.manitowocfs.es

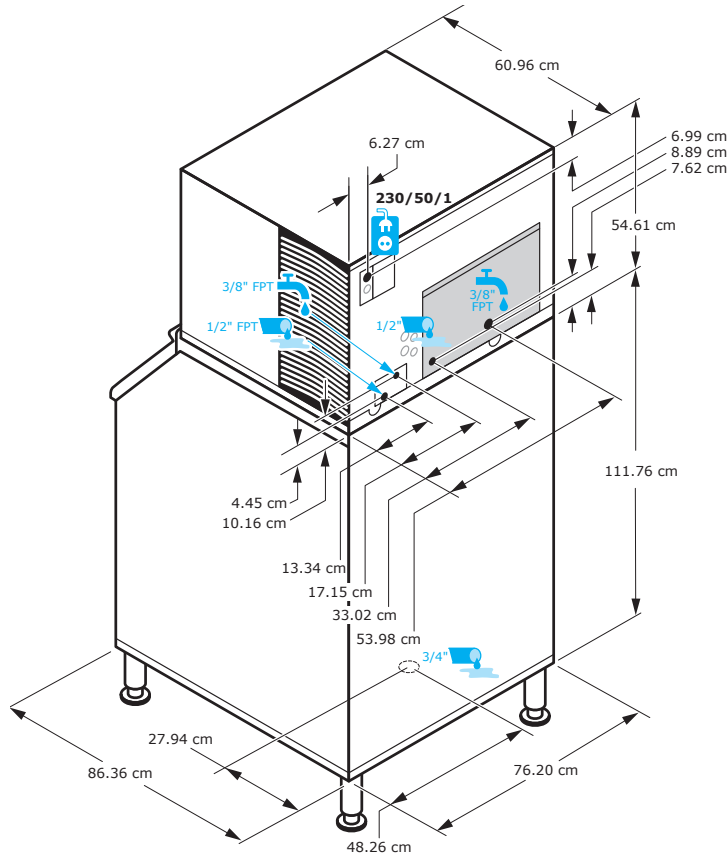
Manitowoc Foodservice UK Limited
 Ashbourne House,
 The Guildway, Old Portsmouth Road
 Guildford GU31 1LR
 UK
 Tel: +44 (0) 1483 464 972
 Fax: +44 (0) 8453 011 462
 E-mail: fsuk.sales@manitowoc.com
www.manitowocfoodservice.com/uk

Manitowoc EMEA
www.manitowocice.com/emea
 Manitowoc China
www.manitowoc.com.cn
 Manitowoc Latin America
www.manitowoclatam.com



K-0600 ICE KUBE MACHINE

			21°/10°C 70°/50°F	32°/21°C 90°/70°F			[kWh/ 100 kg ice]
KD-0600A			260 kg	225 kg	12.7	16.4	4.3
			573 lbs	496 lbs			
KY-0600A			256 kg	219 kg	12.7	16.0	4.2
			564 lbs	482 lbs			



Minimum		Maximum
1.7°C 35°F		43.3°C 110°F
1.7°C 35°F		32.2°C 90°F
20psi 138 kPa		80psi 551 kPa
9.2		A
		15 Amps
76 kg 167 lbs		

This product is hermetically sealed and contains fluorinated greenhouse gas R410a.

KOOLAIRE®
by **Manitowoc**

[www.kool-aire.com]

Manitowoc Deutschland GmbH
Auf der Weih 11
35745 Herborn
Germany
Tel: 0 27 72 - 5805 0
Fax: 0 27 72 - 5805 70
E-mail: info@manitowoc-de.com
www.manitowoc-de.com

Manitowoc Foodservice Iberia, S.A.U.
C/ Textil, 6 Pol. Ind. La Ferreria -
08110 Montcada i Reixac Barcelona
Spain
Tel: (+34) 902 20 10 69
Fax: (+34) 93 348 15 09
E-mail: fraubcn@frau.es
www.manitowocfs.es

Manitowoc Foodservice UK Limited
Ashbourne House,
The Guildway, Old Portsmouth Road
Guildford GU31 1LR
UK
Tel: +44 (0) 1483 464 972
Fax: +44 (0) 8453 011 462
E-mail: fsuk.sales@manitowoc.com
www.manitowocfoodservice.com/uk

Manitowoc EMEA
www.manitowocice.com/emea
Manitowoc China
www.manitowoc.com.cn
Manitowoc Latin America
www.manitowoclatam.com