

Combi steamer

Project _____
 Item _____
 Quantity _____
 FCSI section _____
 Approval _____
 Date _____

C4eD 6.20 GB

Model

Convotherm 4 easyDial

- easyDial
- 7 slide rails
- Gas
- Boiler
- Right-hinged door



Key features

- ACS+ operating modes: Steam, combi-steam, hot air
- ACS+ extra functions:
 - Crisp&Tasty - 5 moisture-removal settings
 - BakePro - 5 levels of traditional baking
 - HumidityPro - 5 humidity settings
 - Controllable fan - 5 speed settings
- easyDial: all functions are set in one operating level
- Semi-automatic cleaning system
- HygienicCare
- USB port integrated in the control panel
- TriColor indicator ring - indicates the current operating status
- Steam generated by high-performance boiler outside the cooking chamber
- Right-hinged door

Standard features

- ACS+ (Advanced Closed System +) operating modes:
 - Steam (86-266°F) with guaranteed steam saturation
 - Combi-steam (86-482°F) with automatic humidity adjustment
 - Hot air (86-482°F) with optimized heat transfer
- HygienicCare - food safety provided by antibacterial surfaces:
 - easyDial control panel
 - Door handle and recoil hand shower
- easyDial user interface:
 - Convotherm Dial (C-Dial) central control unit
 - Digital display
 - Retherming function - retherm products to peak quality
 - 99 cooking profiles each containing up to 9 steps
- Multi-point core temperature probe
- Door handle with safety latch and slam function
- Data storage for HACCP and pasteurization figures
- Preheat and Cool down function

Options

- ConvoClean fully automatic cleaning system - with optional single-dose dispensing
- Disappearing door – more space and added safety (see page 2)
- Ethernet port (LAN)
- Available in various voltages
- Sous-vide probe, external connection
- Core temperature probe, external connection

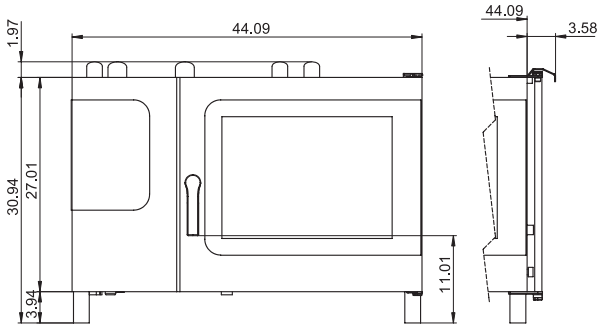
Accessories

- ConvoLink HACCP and cooking-profile management PC software
- Signal tower - indicates the operating status from a distance
- Banquet system (optionally as a package or individually): Plate rack, mobile shelf rack, transport trolley, thermal cover
- Equipment stands in various sizes and designs
- Racks for cooking and baking
- Stacking kits
- Cleaning products for the fully automatic ConvoClean cleaning system and the semi-automatic cleaning system

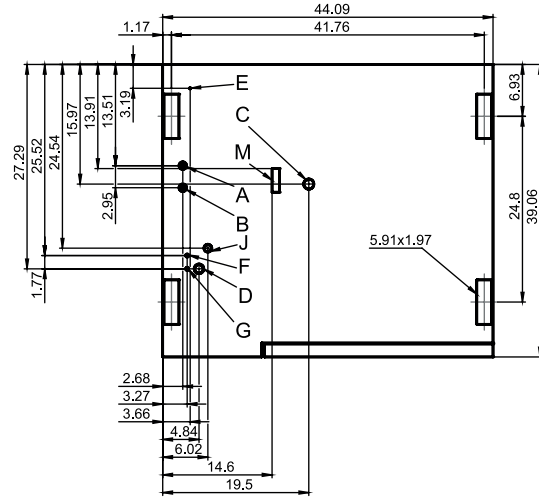


Front view

(disappearing door optional)

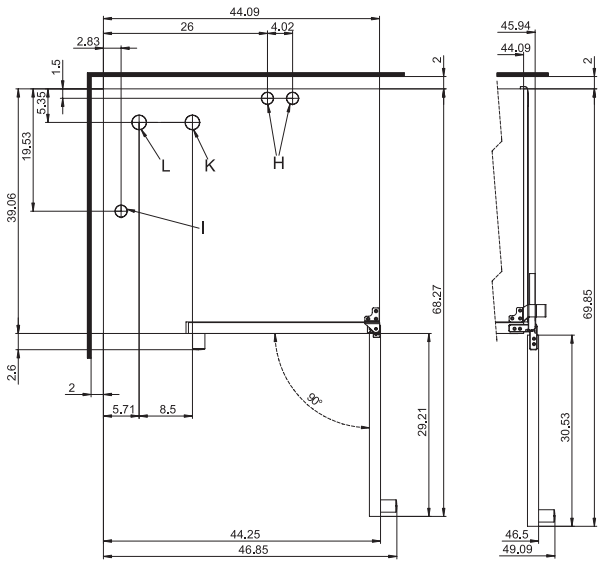


Connection positions



View from above with wall clearances

(disappearing door optional)



- A** Water connections (for boiler)
- B** Water connections (for cleaning, recoil hand shower)
- C** Drain connection (2" I. D.)
- D** Electrical connection
- E** Electrical ground
- F** Rinse-aid connection
- G** Cleaning-agent connection
- H** Air vent (2" I. D.)
- I** Ventilation port
- J** Gas connection
- K** Exhaust outlet (cooking compartment heating element)
- M** Safety overflow 3.2" x 1"

Installation requirements

Max. absolute appliance inclination during operation* max. 2° (3.4%)

* Adjustable appliance feet as standard.

Dimensions and weights

Dimensions including packaging

Width x Height x Depth 53" x 39.8" x 44.9"

Weight

Net weight without options* / accessories 423 lbs

Packaging weight 66 lbs

Safety clearances**

| | |
|--|-----|
| Rear | 2" |
| Right (right-hinged door) | 2" |
| Right (disappearing door pushed back) | 5" |
| Left (18" clearance recommended for service) | 2" |
| Top*** | 39" |

* Max. weight of options: 42 lbs.

** Minimum clearance from heat sources: 20".

*** Depends on the type of exhaust system and the ceiling's characteristics.

Loading capacity

Max. number of food containers

[Unit has 7 slide rails; rail spacing 2.68" max.]

| | |
|-------------------------------------|----|
| Steam table pans (12"x20"x1") | 12 |
| Steam table pans (12"x20"x2.5") | 12 |
| Wire shelves, full size (20"x26") | 6 |
| Sheet pans, full size (18"x26")* | 6 |
| Sheet pans, half size (12"x20")* | 12 |
| Frying baskets, half size (12"x20") | 12 |
| Plates (optional plate rack) | 27 |

Max. loading weight

| | |
|-------------------|---------|
| Per combi steamer | 132 lbs |
| Per shelf level | 33 lbs |

* Wire shelves required.

Electrical supply

120V 1PH 60Hz *

| | |
|-----------------------------|--------------|
| Rated power consumption | 0.6 kW |
| Rated current | 7.5 A |
| Power supply wire gauge | 14 AWG |
| Conductor insulation rating | 194°F / 90°C |

* Prepared for connection to an energy optimizing system.

Water connections

Water supply

Water supply Two 3/4" I. D. GHT-M (garden hose adapter). The appliance is designed for a permanent hookup to the water supply that uses a connecting hose with a minimum diameter of 1/2"

Flow pressure 22 - 87 PSI / 1.5 - 6 bar

Drain

Drain version Permanent hookup (recommended) or funnel waste trap

Type 2" I. D. (comes elbow-shaped as standard)

Slope for drainpipe min. 3.5% (2°)

Water quality

Water connection A* for boiler, Water connection B* for cleaning, recoil hand shower

| | |
|---|---|
| General requirements | Drinking water, typically untreated water |
| TDS | 70 - 360 ppm |
| Hardness | 70 - 360 ppm (4 - 21 gpg) |
| pH value | 6.5 - 8.5 |
| Cl ⁻ (chloride) | max. 60 ppm |
| Cl ₂ (free chlorine) | max. 0.2 ppm |
| SO ₄ ²⁻ (sulfate) | max. 150 ppm |
| Fe (iron) | max. 0.1 ppm |
| SiO ₂ (silica) | max. 13 ppm |
| NH ₂ Cl (monochloramine) | max. 0.4 ppm |
| Temperature | max. 104°F / max. 40°C |

* See connection positions diagram, p. 2.

NOTICE: The owner/operator/purchaser must ensure that the water quality requirements are met. Otherwise the original equipment warranty is void.

Emissions

Heat emission

| | |
|-----------|------------|
| Latent | 3400 BTU/h |
| Sensitive | 3900 BTU/h |

| | |
|--------------------------|-------------------|
| Drain temperature | max. 140°F / 60°C |
|--------------------------|-------------------|

| | |
|-----------------------|-------------|
| Decibel rating | max. 70 dBA |
|-----------------------|-------------|

Water consumption

Water connections A, B

| | |
|-----------------------------------|----------|
| Average consumption for cooking** | 1.90 gph |
| Required flow rate | 3.96 gpm |

** Incl. water required for cooling the wastewater.

NOTICE: See connection positions diagram, p. 2.

Gas specifications

| | |
|----------------|----------------------|
| Type of gas | Natural gas, propane |
| Gas connection | 1/2" NPT |

Flow pressure

| | |
|-------------|--------------|
| Natural gas | 5.5 - 14" WC |
| Propane | 11 - 14" WC |

Heat output

| | |
|--------------------------|-------------|
| For Natural gas, propane | |
| Convection burner | 68200 BTU/h |
| Boiler burner | 61400 BTU/h |

Please note:

- Please refer to the Installation manual for further technical data and for instructions on installation and setup.
- Convotherm reserves the right of design improvement or modification, as warranted.
- There are numerous federal, national and local laws, regulations and standards. It is the responsibility of the owner and installer to observe these laws, regulations and standards (e.g. fire regulations and health and safety standards).
- Convotherm combi steamers are built to comply with the applicable standards for manufacturers.

ACCESSORIES

(For more detailed information, please refer to the Accessories brochure.)

Stacking kit

| | |
|----------------------|---------------|
| Combinations allowed | 6.20 on 6.20 |
| | 6.20 on 10.20 |

If combining two gas units

Select the "stacking kit for Convotherm 4 gas units"

If combining one electrical unit and one gas unit in a stacking kit

Select the "stacking kit for Convotherm 4 electrical units" if:

| | |
|----------------------|-------|
| Bottom combi steamer | EB/ES |
| Top combi steamer | GB/GS |

Select the "stacking kit for Convotherm 4 gas units" if:

| | |
|----------------------|-------|
| Bottom combi steamer | GB/GS |
| Top combi steamer | EB/ES |

Equipment stand

| | |
|---------------------------------|--------|
| Standard support surface height | 26.38" |
|---------------------------------|--------|

9758291_04 ENG_USA 05/15. © 2015 Manitowoc. Please note that the product is being continuously improved and that, as a result, these specifications are subject to change without notice.