



Dimensions and weights		
Width		
With packaging	[in]	22.83
Without packaging	[in]	20.27
Depth		
With packaging	[in]	35.82
Without packaging	[in]	30.58
Height		
With packaging	[in]	43.82
Without packaging	[in]	35.63
Weight		
With packaging	[lbs]	183
Without packaging	[lbs]	154.5
Safety clearances		
Rear	[in]	2.00
Right-hand side	[in]	2.00
Left-hand side	[in]	2.00
Above (larger gap recommended for servicing)	[in]	20.00

Height with easyTouch controls	
Units with easyTouch controls are 0.79" taller than the specified height.	

Electrical ratings		
3- 208/240V 60Hz (3/PE)		
Rated power consumption	[kW]	11.25
Hot air output (RHK rated output)	[kW]	10.2
Motor output	[kW]	0.25
Rated current	[A]	27.1
Supplied with a 4 conductor 6 foot long cord	AWG	8
Conductor insulation rating	SOOW	
Plug (customer supplied)	NEMA	15-50P or L15-50P

Heat loss		
Latent	[BTU/h]	1740
Sensible	[BTU/h]	1911

Water connection		
Water supply (cold only)		
Shut-off device	The unit must be installed with an appropriate backflow preventer in order to comply with all applicable federal, state, and local laws and regulations.	
Water supply		
Connection	Two 3/4" inner diameter GHT-M (garden hose adapter). The unit is designed for a permanent hookup to the water supply that uses a connecting hose with a minimum diameter of 1/2"	
Flow pressure	[psi]	43.51 - 87.02 (3 - 6 bar)
Water drain		
Version	Naturally ventilated pipe to open pan or drain/channel,	

Type	[in]	min. 1" ventilation clearance 1½ (minimum inner diameter)
------	------	--

Water hardness for water injection		
Water quality	Drinking water Soft water	
Hardness	[ppm]	70 - 125 (4 - 7 gpg)
TDS (total dissolved solids)	[ppm]	70 - 125
Total alkalinity	[ppm]	50 - 100

Water hardness for cleaning		
Water quality	Drinking water Hard water (or soft water; see above for specification)	
Hardness	[ppm]	70 - 360 (4 - 21 gpg)
TDS (total dissolved solids)	[ppm]	70 - 360
Total alkalinity	[ppm]	50 - 100

Figures		
Temperature	[°F]	max. 104
pH value	6.5 - 8.5	
Cl ⁻ (chloride)	[ppm]	max. 100
Cl ₂ (free chlorine)	[ppm]	max. 0.2
SO ₄ ²⁻ (sulfate)	[ppm]	max. 150
Fe (iron)	[ppm]	max. 0.1
SiO ₂ (silicate)	[ppm]	max. 13

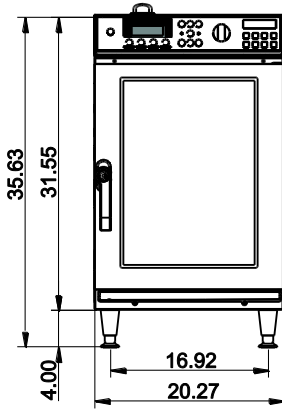
Maximum permissible loading weight		
Standard size bakeware (containers, oven racks, sheet pans)		
Per combi oven	[lbs]	66
Per shelf	[lbs]	11

Capacity		
Qty.		
13" x 18" half size sheet pans	[pcs]	10
12" x 20" by 2 1/2" steam table pans	[pcs]	5
12" x 20" wire fry baskets	[pcs]	5
Plates with a diameter of up to Ø 26 cm (rethermalization only)	[pcs]	12

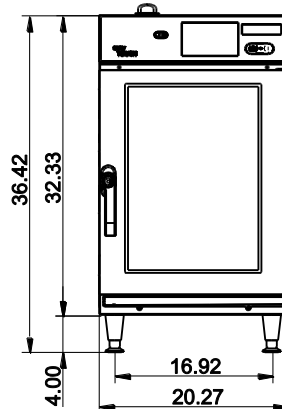
Unit specifications		
Protection rating	IPx4	
Conformity/certification marks	UL	
in accordance with the applicable country-specific regulations		
Noise emissions		
Measured	[dBA]	max. 60

Ventilation		
The 10.10 mini combi is UL category KNLZ listed for ventless operation. Allows operators to expand into new non-traditional outlets. Local codes prevail as stated in NFPA 96-1994 regulations.		

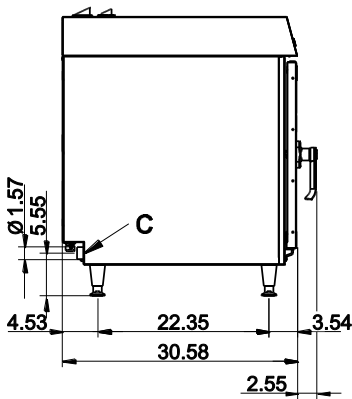
View for standard controls



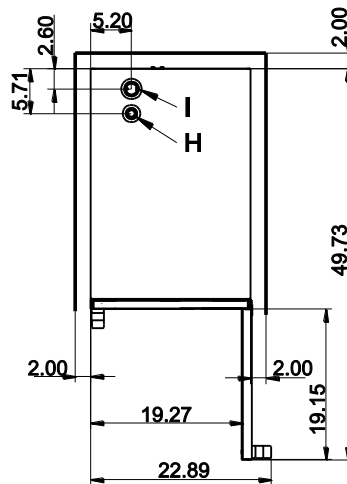
View for easyTouch



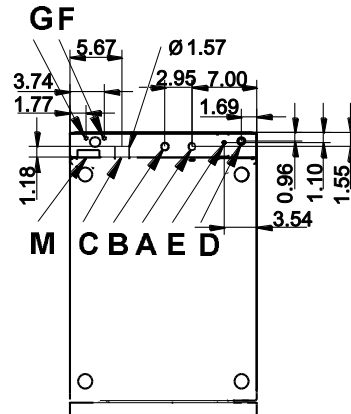
Side view



View from above with wall clearances



Connections at bottom of unit



Key

A	Water connection Soft water, 3/4" GHT	E	Bonding	H	Air vent
B	Water connection Cold water, 3/4" GHT	F	Rinse aid connection (Neutralizer)	I	Ventilation port
C	Drain connection 1 1/2"	G	Cleaning agent connection (Cleaner)	M	Overflow
D	Electrical connection				

Part No.: 9730732_01 Version eng 01/17 Subject to change without notice!

This document is meant to be used for planning purposes only. For installation and setup instructions, please refer to the installation manual.



Commercial combination oven with integral systems for limiting the emissions of grease laden air. This product conforms to the ventless operation recommendations set forth by NFPA96 using EPA202 test method