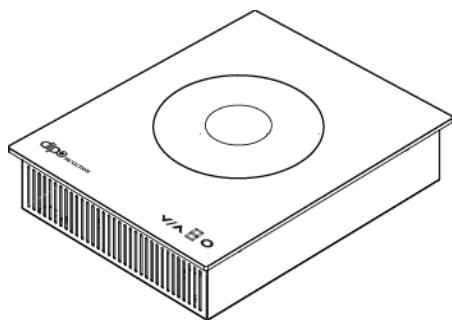
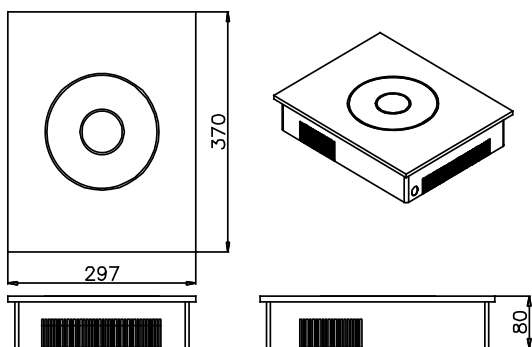


TABLE DROP-IN



* Metal Case/EMC



DESCRIPTION															
Part No.	BKTW-E														
Operating Voltage	208/240V , 50/60Hz 1PH														
Power Consumption	Max Output: 400W														
Amperage	Total: 2A														
Heating Power Setting	Warming: 7 Steps Cooking: N/A														
Dimension (mm)	Product: 297*370*80 , Packing: 350*425*165														
Weight	5														
Control Method	Touch														
Product Type	Built-in														
Cookware Diameter	Min: \varnothing 130 mm , Max: \varnothing 240 mm														
Loadable Weight (kg)	Max. 30														
Warming Temperature	<table border="1"> <thead> <tr> <th>Level 1</th> <th>Level 2</th> <th>Level 3</th> <th>Level 4</th> <th>Level 5</th> <th>Level 6</th> <th>Level 7</th> </tr> </thead> <tbody> <tr> <td>35°C</td> <td>40°C</td> <td>50°C</td> <td>60°C</td> <td>70°C</td> <td>80°C</td> <td>90°C</td> </tr> </tbody> </table>	Level 1	Level 2	Level 3	Level 4	Level 5	Level 6	Level 7	35°C	40°C	50°C	60°C	70°C	80°C	90°C
Level 1	Level 2	Level 3	Level 4	Level 5	Level 6	Level 7									
35°C	40°C	50°C	60°C	70°C	80°C	90°C									
Main Function	<ul style="list-style-type: none"> ■ Safety - Over-current indication: Error E1 - Over-voltage indication: Error E2 (above 260V) - Low-voltage indication: Error E3 (below 180V) - Product super-heating indication: Error E4 (internal temperature above 80°C) - Top overheating indication: Error E6 (above 230°C) ■ Warming: H1 ~ H7 (35°C ~ 90°C) <i>Specialized Warmer</i> 														
Comparison	<table border="1"> <thead> <tr> <th>Item</th> <th>Induction (1 hole)</th> <th>City Gas (1 hole)</th> </tr> </thead> <tbody> <tr> <td>kw</td> <td>0.4</td> <td>4.64</td> </tr> <tr> <td>kcal/h</td> <td>344.83</td> <td>4000</td> </tr> <tr> <td>kcal/h</td> <td>310.347 (90% of efficiency)</td> <td>2000 (50% of efficiency)</td> </tr> </tbody> </table>	Item	Induction (1 hole)	City Gas (1 hole)	kw	0.4	4.64	kcal/h	344.83	4000	kcal/h	310.347 (90% of efficiency)	2000 (50% of efficiency)		
Item	Induction (1 hole)	City Gas (1 hole)													
kw	0.4	4.64													
kcal/h	344.83	4000													
kcal/h	310.347 (90% of efficiency)	2000 (50% of efficiency)													
After-Sales Service	1-year warranty (to be charged in case of consumer's negligence)														

IMPLEMENTATION

Application Examples

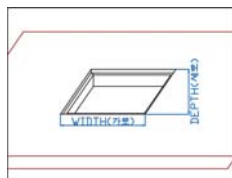


Product Use

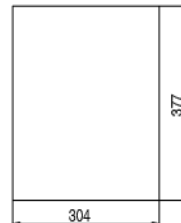
- For buffet etc. which needs to warm foods for long hours
- No dry-preventive water tray necessary in warming; enabling to diversity chafing dishes; convenient property management
- Realizing extremely low temperature for chocolate melting, cheeze melting etc.
- Digitalized/ Manualized temperature control scheme for each different menu
- Excellent warming function without worry about foods getting burnd or cold
- Accomodating various kinds of cookware
- No burden of electricity expansion even in case of mass installation/operation of units

※ Remarks

1. Table Built-in (in case of self-bending)



2. Hole-punching size for stainless guide (*guide sold separately)



* Please be advised that it's necessary to keep 10cm of distance from the front/rear side of the unit

