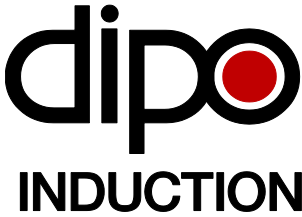


Item # \_\_\_\_\_

Quantity \_\_\_\_\_



**DIPO, Inc.**

701 W. Water St. Suite D  
 Troy, OH 45373  
 T 937.552.7138 F 866.497.8351  
 info@dipo-inc.com

**TCK112-A-FL Free Standing Induction Stock Pot Range**



|                            |  |
|----------------------------|--|
| Model                      | <b>TCK112-A-FL</b>                                   |
| Power                      | Max 10,000W  |
| Voltage                    | 208/240 Volt 3ph 50/60 Hz                            |
| Max 3ph Amps               | 27.8   |
| Connection                 | 5' Cord Wired  |
| Package/Product Weight     | 60/53 lbs.   |
| Package/Product Dimensions | 21" X 27" X 14" / 18" X 24" x 21 5/8"                |
| Warranty                   | 1 Year Parts and Labor, exclusive of glass breakage. |

**Features**

- Simple , clean design
- Easy to operate
- 10 Power Settings (1-10)
- 7 Warming/Holding settings (H1-H7)
- Large LED Display
- Timer Settings up to 12 hours
- Large removable/cleanable air filter
- Versatile! From heavy duty continuous cooking to precise time and temp control for sous-vide.
- Energy efficiency of about 90% or greater
- Displays diagnostic/error codes
- Optional probe for precise temp control
- Robust heavy duty ceramic surface by NEG
- Patented Large Pot Support System
- Patented Aerogel Insulation Protection
- Automatic Fast Pan Sensing
- Patented Ambient Controls Temperature Correction Technology

**Accessories**

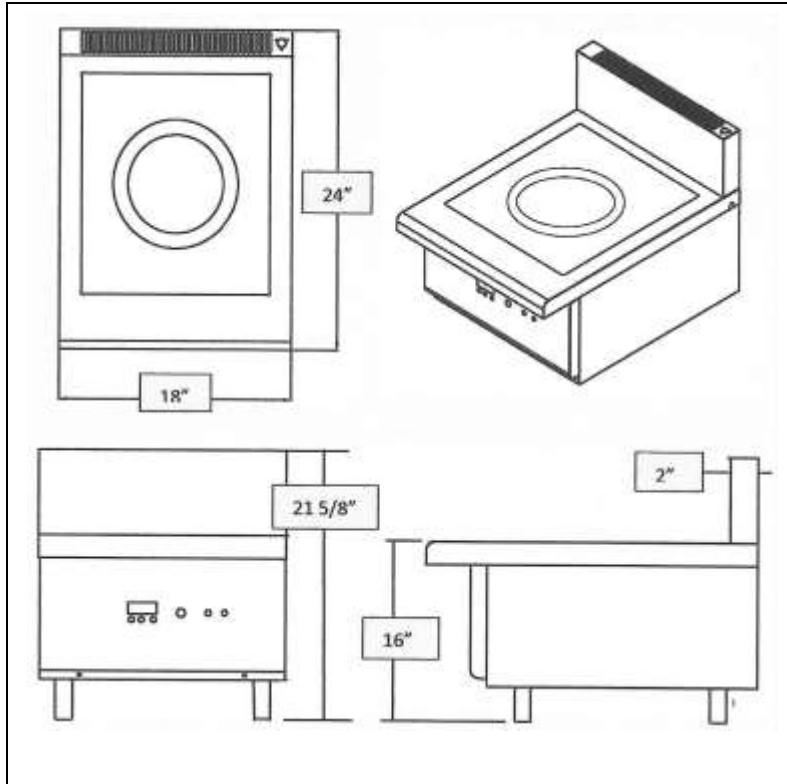
- External Temperature Probe offers precise temp control between 100°F and 400°F



Item # \_\_\_\_\_

Quantity \_\_\_\_\_

### TCK112-A-FL Free Standing Induction Stock Pot Range



Induction compatible cookware required, with a minimum bottom diameter of 5".

Maximum pot weight supported: 220 lbs.

Warming/holding temperature range approximately 95°F – 195°F.

#### **Approximate Time To Boil Water**

(Actual time depends on water starting temperature and type of pan/pot)

| Water Volume (quarts)            | 4    | 8     | 12    | 16    |
|----------------------------------|------|-------|-------|-------|
| TCK112-A-FL Approx. Time to Boil | 2min | 5 min | 7 min | 9 min |

