

PROJECT NAME: \_\_\_\_\_ LOCATION: \_\_\_\_\_

ITEM: \_\_\_\_\_ MODEL #: \_\_\_\_\_



212-1



210-1



209-1

**Knife Cover:** The knife cover is designed to fit on the slicer only one way to ensure accurate placement every time.

**Underside:** Components are covered by a metal plate protecting them from food and other debris.

**Knife Hub:** Knife hub bearings, belt, and motor are fully enclosed protecting them from food and other debris.

**Slice Deflector:** Heavy duty deflector is securely fastened to the slicer, yet is still easy to remove without tools.

**Table Rod:** Separate table support rod is protected by the table casting and cover.



## FEATURES LIST

Model	UPC
209-1	669452600918
210-1	669452601014
212-1	669452601212

### SPECIFICATIONS

- Powerful motors
  - 209-1: ¼ HP, 115-60-1, 2.3 amps
  - 210-1: ¼ HP, 115-60-1, 2.5 amps
  - 212-1: ⅓ HP, 115-60-1, 2.7 amps
- 0 to 9/16" slice thickness
- Positive traction grooved belt drive
- Top mounted knife sharpener
- Hard chromed, hollow ground knife
- Belt driven, positive grooved knife
  - 209-1: Nominal 9" diameter
  - 210-1: Nominal 10" diameter
  - 212-1: Nominal 12" diameter
- Anodized aluminum construction
- Sealed splash zones
- Moisture proof On/Off buttons
- Gravity feed food chute
- Metal bottom enclosure
- Compact space saving design
- Removable slice deflector
- Heavy duty feet
- 8 foot cord and plug

**Increased Cleanability and Sanitation Features - NSF/ANSI 8 - 2010 Standard**

### WARRANTY

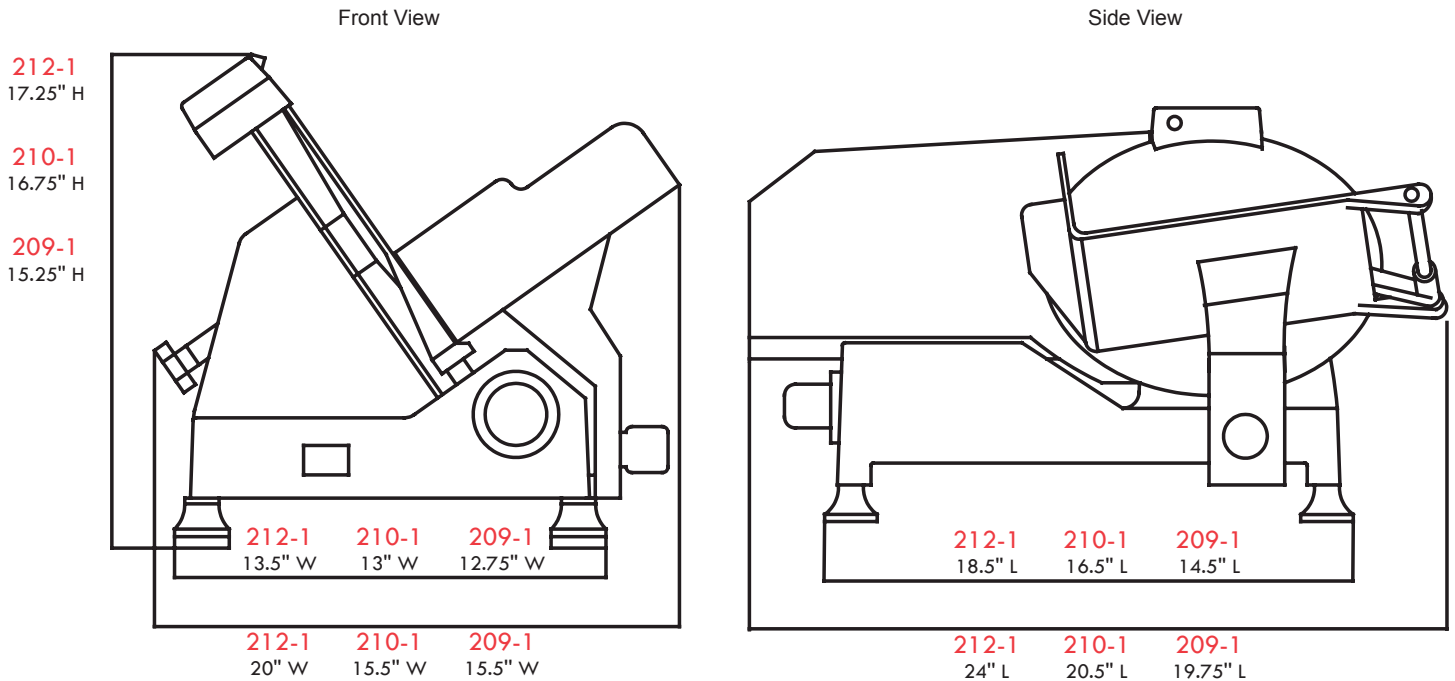
One-year parts and labor

Specifications subject to change without notice

Approvals: cETLus, NSF ANSI 8, 2010

## PLAN VIEW

209-1, 210-1 & 212-1



Plug Type - NEMA 5-15P



## DIMENSIONAL DATA

Model	UPC	Knife Dia.	HP	Cutting Capacity	Voltage	Amps	Unit Dimensions L x W x H	Net Weight	Shipping Dimensions L x W x H	Shipping Weight
209-1	669452600918	9"	1/4	6.5" H, 7.25" W, 6.25" Dia.	115-60-1	2.3	19.75" x 15.5" x 15.25"	31.4 lbs	21" x 18" x 17"	38 lbs
210-1	669452601014	10"	1/4	7.25" H, 8.62" W, 6.87" Dia.	115-60-1	2.5	20.5" x 15.5" x 16.75"	31.6 lbs	24" x 22" x 18"	42 lbs
212-1*	669452601212	12"	1/3	8.62" H, 9.75" W, 8" Dia.	115-60-1	2.7	24" x 20" x 17.25"	46 lbs	28" x 23" x 19"	57 lbs

Recommended Slicing per Day:

- 209-1 < 30 minutes
- 210-1 30-45minutes
- 212-1 1 Hour

209-1 & 210 Not recommended for slicing cheese.

\*212-1 Recommended for cheese slicing in small amounts.