

PRODUCT NAME: _____ LOCATION: _____

ITEM: _____ MODEL: _____



FEATURES LIST

- Cooks up to 25 one-cup servings
- Stainless steel exterior construction and lid
- Removable, non-stick coated pot
- One-button control with automated cooking process cooks and holds
- Overheat protection with manual reset
- 1600 watts for cooking rice
- Measuring cup and scoop included
- 4½-foot power cord

Warranty

- One-year limited warranty

For Indoor Use Only

Electrical:

RC1 - 120V, 1600W, 4½-foot flexible, three-wire cord with 5-15P NEMA attached ground plug.

Construction: Stainless steel body and lid.

Standard Equipment:

Standard equipment includes non-stick inner cooking pot, stainless steel lid, measuring cup and serving scoop.

Temperature Controls: This function controls cookware to a precise temperature for cooking. Do not operate cooker while empty.

Cook and Hold: Rice Cooker cooks rice and then holds rice at serving temperature.

Over-heat Reset Push Button: Supplied with a over-heat manual reset push button for temperature overload and safety.

Additional Optional Accessories

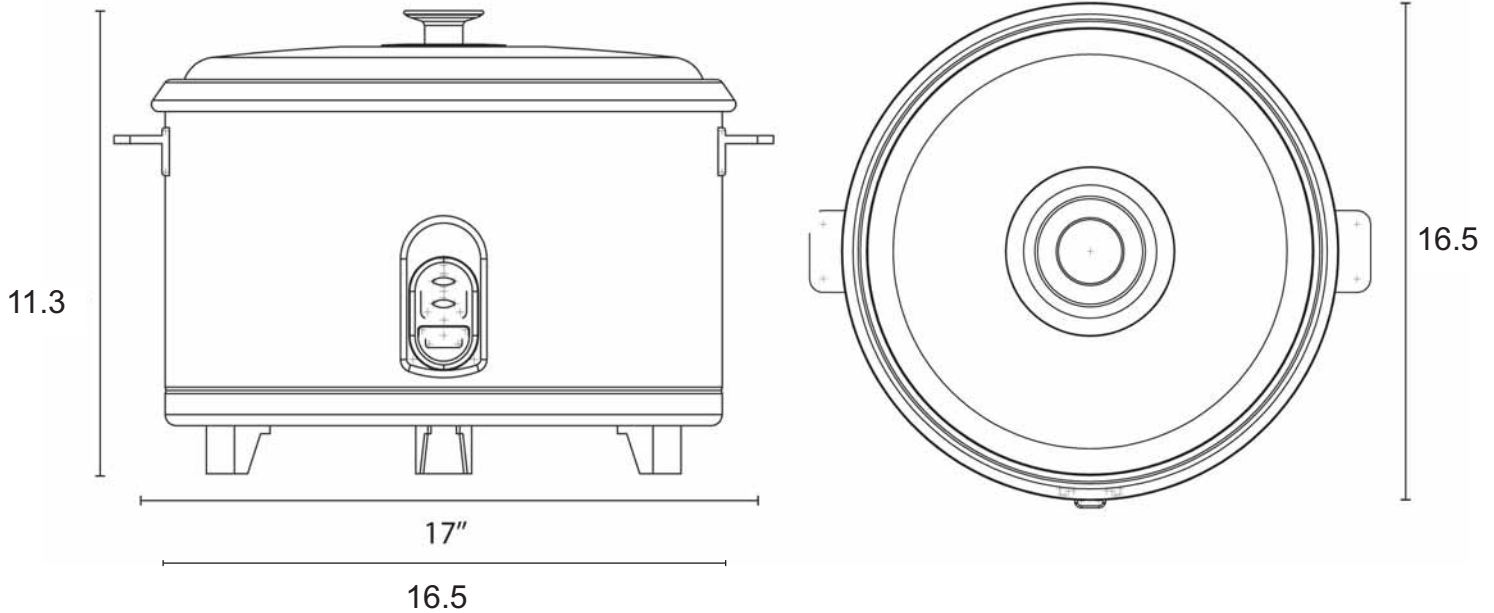
- Lid
- Inner pot



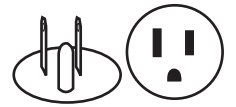
Specifications subject to change without notice

Approvals:

PLAN VIEW



Plug Type - NEMA 5-15



DIMENSIONAL DATA

		ABRC25		
Capacity: 25 one-cup servings	Dimensions: Foot Print = 16.5" Diameter (42 cm) Overall Length = 16.5" (44.5 cm) Overall Width = 16.5" (42 cm) Overall Height = 11.3" (29 cm)	Shipping Information: Net Weight: 11 lbs (5 kg) Shipping Weight: 12.2 lbs (5.5 kg)	Shipping Dimensions: 17" W x 17" D x 12" H (43.2 cm x 43.2 cm x 30.5 cm)	
			Cartons are reinforced for shipping. The weight and dimensions of this reinforced carton are included above and may vary from shipment to shipment.	