

BUILT-IN GRILLS

BI-30, 36, 48

Project: _____
 Item #: _____
 Quantity: _____



BI-48
 Shown with optional Roll Dome

Our passion at Crown Verity is to bring the precision and performance of commercial kitchens to the outdoor environment. To that end we design and manufacture our grills to be reliable and go beyond traditional industry specifications.

Our grill bodies, cooking grates, burners, radiants, water pans, fasteners, pilot tubes are all constructed of 304 series stainless steel for durability and ease of cleaning. Compared to units made of metal or 430 stainless steel, our units are built to last.

15,000 BTUH stainless steel burners are placed every 5.75" to ensure the most even heat pattern possible. These units heat up to cooking temperature within 5 minutes. Our stainless steel burners and cooking grills carry a 10 year and lifetime warranty, respectively.

The BI model is available as either liquid propane (LP) or natural gas (NG). All LP & NG models include a regulator.

SPECIFICATIONS

- Gas grill constructed of 304 stainless steel including grids, burners and all fasteners
- 15,000 BTUH stainless steel burners
- Ready to use: ships completely assembled and comes with an insert shell ready to drop into an island
- Includes water pan with drain port to ease cleaning and help eliminate grease fires from occurring
- 16 ga stainless steel radiants that remain in place during transportation and cleaning
- c ETL us, ETL Sanitation listed, Conforms to ANSI Z83.11/CSA 1.8 and NSF Standard 4

More Standard Features

- Unibody design for lighter weight and added strength
- Stainless steel pilot burner tube system
- Regulator for NG & LP models
- Factory technician tested prior to shipping
- 1 year parts and labor limited warranty
- Lifetime warranty on body and cooking grids and 10 years on burners

Options/Accessories

- | | |
|---------------|---------------------|
| Roll Dome | Adjustable Bun Rack |
| Griddle Plate | Steam Pan Adapter |
| Front Shelf | Side Burner |
| Rotisserie | Wind Guard |
| Smoker Box | BBQ Cover |
| Charcoal Tray | Propane Tanks |

Built-In Island Accessories

- | | |
|------------------------------|----------------------|
| 3 Drawer Compartment | 2 Drawer Compartment |
| Propane Compartment | Trash Compartment |
| Ice Chest | Horizontal Drawer |
| Vertical and Horizontal Door | Outdoor Fridge |

Certifications



SPECIFICATIONS

All above shown with options



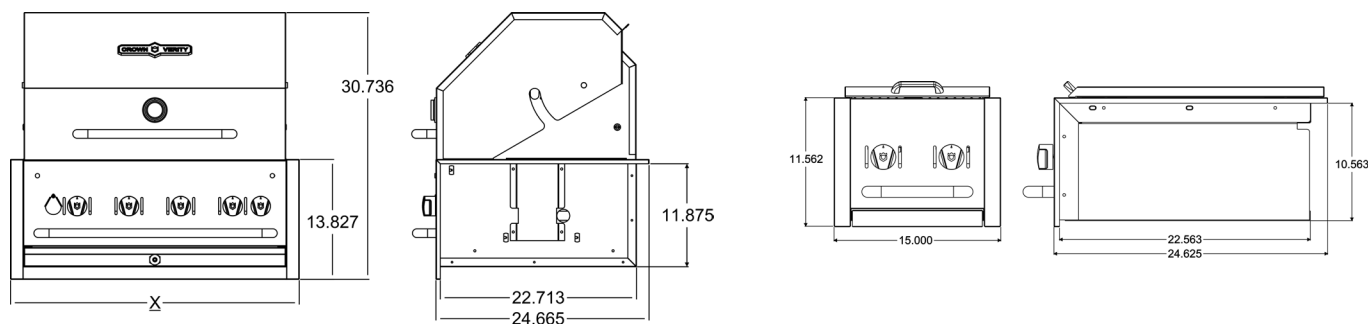
Model	BI-30	BI-36	BI-48	BI-48-2
Number of Burners	4	5	7	6
BTUH	64,500	79,500	114,000	99,000
Actual Weight (lbs)	131	163	194	194
Shipping Weight (lbs)	209	243	284	284
Cooking Surface	28" x 21"	34" x 21"	46" x 21"	46" x 21"
Overall Dimensions	33.5" L x 27" D x 13.82" H	39.5" L x 27" D x 13.82" H	51.5" L x 27" D x 13.82" H	51.5" L x 27" D x 13.82" H

* All units are available in natural gas models (BI-NG). Please specify gas type when ordering. Above units do not include the optional roll dome in the dimensions, height of each unit becomes 30.736" with the roll dome on the unit.

Optional side burner (SB-BI) - A side burner increases flexibility, providing a convenient surface for sauteing and keeping sauces hot.



Model	SB-BI	SB-BI
Burners	1	2
BTUH	15,000	30,000
Weight (lbs)	25	30
Overall Dimensions	15" W x 27" D x 11.75" H	15" W x 27" D x 12.125" H



	BI-30	BI-36	BI-48
X	33.5"	39.5"	51.5"

Cut out dimensions available upon request at info@crowneverity.com or go to www.crowneverity.com