

JOB \_\_\_\_\_ ITEM # \_\_\_\_\_ QTY # \_\_\_\_\_



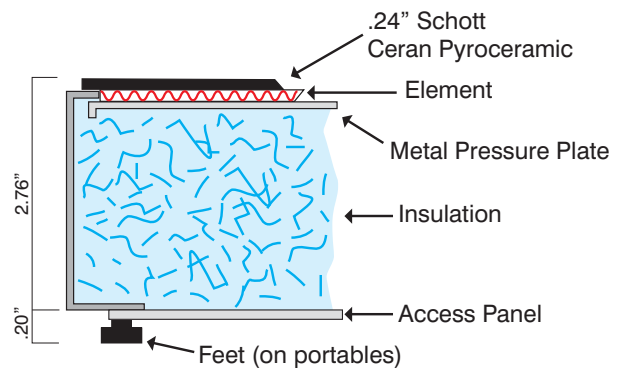
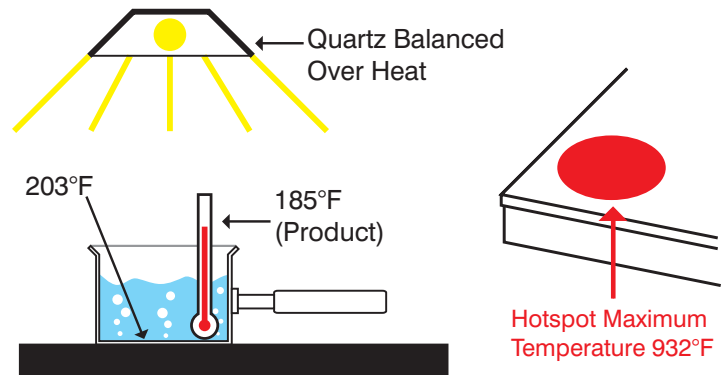
MODEL P16050  
 PORTABLE

**GENERAL**

Piper's Berkeley Series Hot Plates offer an attractive and flexible approach to the display of foods that need to be kept hot, but sell best when displayed to their best advantage. These electrically heated units are available as drop-in models for use in serving counters to replace steam pans that hide the food; or as portable counter top models that can be easily relocated as required. Units are provided with either one, two or three (drop-in models only) individually controlled hot plate sections. All models can be provided with an optional "hot spot"; or, with an optional sneeze guard with quartz heater for more even heating.



MODEL P26050-OHD1200  
 PORTABLE WITH SNEEZE  
 GUARD WITH HEAT LAMP



**SPEC R-2**

**PIPER PRODUCTS**  
 BUILT TO LAST  
[www.piperonline.net](http://www.piperonline.net)

300 S. 84th Avenue  
 Wausau, WI 54401  
 Phone: 800-544-3057  
 Fax: 715-842-3125

**CONSTRUCTION**

A black Ceran Pyroceramic hot plate, with a mat-type heating element adhered to the underside, is set into a rectangular base frame and rests on support angles fastened to the inside of the frame. The hot plate is separated from the frame by a band of high temperature silicone. The frame is constructed of stainless steel. The space beneath the heating element is filled with insulation and enclosed by a removable, perforated stainless steel bottom access panel. All models are provided with an 8' long cord with matching NEMA # plug as shown on specification chart. The temperature of the hot plate surface is adjustable to a maximum of 250°F.

**Drop-in models:** Equipped with a 16 gauge stainless steel flange around the full perimeter of the frame to support the unit when it is dropped into a counter cut-out.

**Portable models:** The stainless steel frame is black enamel coated. The unit is equipped with a surrounding protective handle constructed of all welded tubular stainless steel, attached to the base frame with horizontal spacers. Series P16050 models are provided with non-arking bottom feet. Series P26050 models are provided with 2" diameter casters.

**CONTROLS**

All models are equipped with a toggle aster on/off switch and an infinite control with separate pilot light (one for each section of the hot plate).

**Drop-in models:** The controls are mounted in a stainless steel control box, mounted on the rear of the base frame. The control box is easily removable, allowing for remote mounting. The controls are pre-wired and furnished with 30" long connector cables.

**Portable models:** Controls for the hot plate are mounted on the rear of the base frame.

**SNEEZE GUARD WITH HEAT LAMP**

Optional sneeze guard with heat lamp is available for all models. The quartz heat lamp(s) are mounted in a channel shaped stainless steel housing which is mounted to tubular uprights. The housing is coated to match the finish of the base frame and is enclosed with a stainless steel bottom plate with recesses into which the quartz lamps are mounted. Up to four 375 watt quartz lamps are provided, based on length of unit. One end of the housing is fitted with a blower to maintain safe temperatures.

An adjustable dimmer control is mounted to the housing. The intensity of the heat lamp can be adjusted by the operator.

The curved sneeze guard is 1/4" thick acrylic. Sneeze guards are designed for self-service.

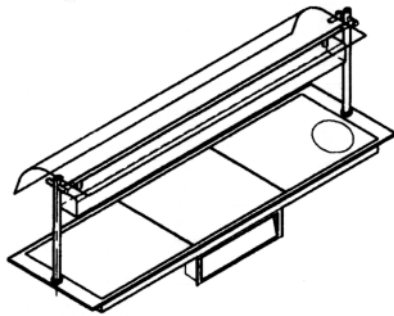
**Drop-in-models:** Uprights are 1-1/2" diameter tubular stainless steel, welded to the perimeter flange, and are fitted with a top cap.

**Portable models:** Uprights are 1" diameter "U" shaped stainless steel, welded to the frame at each end.

**HOT SPOT**

Optional 1700 watt Hot Spot is available for all models. Maximum of one Hot Spot can be provided per unit. The Hot Spot can provide up to a maximum of 800°F, ideal for holding soup, boosting heat, wok cooking and various other options.

JOB \_\_\_\_\_ ITEM # \_\_\_\_\_ QTY # \_\_\_\_\_



Cutout Length for units with Sneeze Guard with Heat Lamp: Additional 3.75" long x 2" wide notch required on operator left end.

(Except model ND36050-OHD4 and Model ND36050-OHD4-HS: notch is 2" long x 2" wide.)

**DROP-IN SERIES STANDARD DEPTH**

Model	Options	Overall Length	Overall Depth	Hot Plate Sections	Volts	Phase	Watts	Amps	Nema#	Weight (Lbs.)
D14050	None	18	22	1	120	1	550	4.6	5-15P	65
D16050	None	26	22	1	120	1	600	5.0	5-15P	88
D24050	None	34	22	2	120	1	1100	9.2	5-15P	130
D26050	None	49-3/4	22	2	120	1	1200	10.0	5-15P	175
D240160	None	57-7/8	22	3	208	1	1700	8.2	6-15P	185
D36050	None	73-1/2	22	3	208	1	1800	8.7	6-15P	200
D14050-HS	Hot Spot	18	22	1	208	1	1975	9.5	6-15P	65
D16050-HS	Hot Spot	26	22	1	208	1	2150	10.3	6-15P	88
D24050-HS	Hot Spot	34	22	2	208	1	2525	12.1	6-15P	130
D26050-HS	Hot Spot	49-3/4	22	2	208	1	2750	13.2	6-15P	175
D240160-HS	Hot Spot	57-7/8	22	3	208	1	3125	15.0	L6-20P	185
D36050-HS	Hot Spot	73-1/2	22	3	208	1	3350	16.1	L6-20P	200
ND14050-OHD4	Sneeze Guard w/ Heat Lamp	25-5/8	22	1	208	1	925	4.5	6-15P	110
ND16050-OHD4	Sneeze Guard w/ Heat Lamp	33-1/2	22	1	208	1	975	4.7	6-15P	140
ND24050-OHD4	Sneeze Guard w/ Heat Lamp	41-3/8	22	2	208	1	1850	8.9	6-15P	185
ND26050-OHD4	Sneeze Guard w/ Heat Lamp	57	22	2	208	1	2325	11.2	6-15P	240
ND36050-OHD4	Sneeze Guard w/ Heat Lamp	78-3/8	22	3	208	1	3300	15.9	L6-20P	275
ND14050-OHD4-HS	Hot Spot & Sneeze Guard w/ Heat Lamp	25-5/8	22	1	208	1	2350	11.3	L6-20P	110
ND16050-OHD4-HS	Hot Spot & Sneeze Guard w/ Heat Lamp	33-1/2	22	1	208	1	2525	12.1	L6-20P	140
ND24050-OHD4-HS	Hot Spot & Sneeze Guard w/ Heat Lamp	41-3/8	22	2	208	1	3275	15.7	L6-20P	185
ND26050-OHD4-HS	Hot Spot & Sneeze Guard w/ Heat Lamp	57	22	2	208	1	3875	18.6	L6-30P	240
ND36050-OHD4-HS	Hot Spot & Sneeze Guard w/ Heat Lamp	78-3/8	22	3	208	1	4850	23.3	L6-30P	275

**SPEC R-2**

**PIPER PRODUCTS**  
 BUILT TO LAST  
[www.piperonline.net](http://www.piperonline.net)

300 S. 84th Avenue  
 Wausau, WI 54401  
 Phone: 800-544-3057  
 Fax: 715-842-3125

**BUILT-IN SERIES EXTRA DEEP**

Model	Options	Overall Length	Overall Depth	Hot Plate Sections	Volts	Phase	Watts	Amps	Nema#	Weight (Lbs.)
B17060	None	23.62"	27.56"	1	120	1	850	7.1	5-15P	124
B27060	None	47.4"	27.56"	2	208	1	1700	8.2	6-15P	245
B37060	None	71.18"	27.56"	3	208	1	1800	8.7	6-15P	280
B17060-HS	Hot Spot	23.62"	27.56"	1	208	1	2400	11.5	6-15P	124
B27060-HS	Hot Spot	47.4"	27.56"	2	208	1	3250	15.6	L6-20P	245
B37060-HS	Hot Spot	71.18"	27.56"	3	208	1	4100	19.7	L6-30P	280



P16050



P26050-OHD1200

**PORTABLE SERIES**

Model	Options	Overall Length	Overall Depth	Hot Plate Sections	Volts	Phase	Watts	Amps	Nema#	Weight (Lbs.)
P16050	None	29-1/2"	25-9/16"	1	120	1	600	5.0	5-15P	110
P26050	None	53-1/4"	25-9/16"	1	120	1	1200	10.0	5-15P	200
P16050-HS	Hot Spot	29-1/2"	25-9/16"	1	208	1	2150	10.3	6-15P	110
P26050-HS	Hot Spot	53-1/4"	25-9/16"	1	208	1	2750	13.2	6-15P	200
P16050-OHD600	Sneeze Guard w/ Heat Lamp	29-1/2"	25-9/16"	1	208	1	975	4.7	6-15P	140
P26050-OHD1200	Sneeze Guard w/ Heat Lamp	53-1/4"	25-9/16"	2	208	1	2325	11.2	6-15P	220
P16050-OHD600-HS	Hot Spot & Sneeze Guard w/ Heat Lamp	29-1/2"	25-9/16"	1	208	1	2525	12.1	L6-20P	140
P26050-OHD1200-HS	Hot Spot & Sneeze Guard w/ Heat Lamp	53-1/4"	25-9/16"	2	208	1	3875	18.6	L6-30P	220

**R-2** SPEC

**PIPER PRODUCTS**  
BUILT TO LAST  
[www.piperonline.net](http://www.piperonline.net)

300 S. 84th Avenue  
Wausau, WI 54401  
Phone: 800-544-3057  
Fax: 715-842-3125

**LIMITED WARRANTY:** PIPER PRODUCTS warrants to the original purchaser parts and labor for a period of twelve (12) months from the date of purchase. See manufacturer's complete warranty for details.

It is our policy to build equipment which is design certified by companies that have been accredited at the Federal Level by the Occupational Safety and Health Agency (OSHA) and ANSI as a National Recognized Testing Laboratory. These companies include CSA International, Underwriters Laboratories, and the National Sanitation Foundation. However, a continuing program of product improvement makes it necessary to submit new models to the agencies as they are developed. Consequently, all models may not bear the appropriate labels at all times.

We reserve the right to change specifications and product design without notice. Such revisions do not entitle buyer to corresponding changes, improvements, additions or replacements for previously purchased equipment. Information is not for design purposes.

JOB \_\_\_\_\_ ITEM # \_\_\_\_\_ QTY # \_\_\_\_\_

**DROP-IN SERIES EXTRA DEEP**

Model	Options	Overall Length	Overall Depth	Hot Plate Sections	Volts	Phase	Watts	Amps	NEMA#	Weight (lbs.)
D17060	None	26	30	1	120	1	850	7.1	5-15P	124
D27060	None	49-3/4	30	2	208	1	1700	8.2	6-15P	245
D37060	None	73-1/2	30	3	208	1	1800	8.7	6-15P	280
D17060-HS	Hot Spot	26	30	1	208	1	2400	11.5	6-15P	124
D27060-HS	Hot Spot	49-3/4	30	2	208	1	3250	15.6	L6-20P	245
D37060-HS	Hot Spot	73-1/2	30	3	208	1	4100	19.7	L6-30P	280
ND17060-OHD4	Sneeze Guard w/ Heat Lamp	33-1/2	30	1	208	1	1225	5.9	6-15P	196
ND27060-OHD4	Sneeze Guard w/ Heat Lamp	57	30	2	208	1	2825	13.6	6-15P	336
ND37060-OHD4	Sneeze Guard w/ Heat Lamp	78-3/8	30	3	208	1	4050	19.5	L6-30P	385
ND17060-OHD4-HS	Hot Spot & Sneeze Guard w/ Heat Lamp	33-1/2	30	1	208	1	2775	13.3	6-15P	196
ND27060-OHD4-HS	Hot Spot & Sneeze Guard w/ Heat Lamp	57	30	2	208	1	4375	21.0	L6-30P	336
ND37060-OHD4-HS	Hot Spot & Sneeze Guard w/ Heat Lamp	78-3/8	30	3	208	1	6350	30.5	6-50P	385

**BUILT-IN SERIES STANDARD DEPTH**

Model	Options	Overall Length	Overall Depth	Hot Plate Sections	Volts	Phase	Watts	Amps	NEMA#	Weight (lbs.)
B14050	None	15.75"	19.69"	1	120	1	550	4.6	5-15P	65
B16050	None	23.62"	19.69"	1	120	1	600	5.0	5-15P	88
B24050	None	31.65"	19.69"	2	120	1	1100	9.2	5-15P	130
B26050	None	47.4"	19.69"	2	120	1	1200	10.0	5-15P	175
B240160	None	55.43"	19.69"	3	208	1	1700	8.2	6-15P	185
B36050	None	71.18"	19.69"	3	208	1	1800	8.7	6-15P	200
B14050-HS	Hot Spot	15.75"	19.69"	1	208	1	1975	9.5	6-15P	65
B16050-HS	Hot Spot	23.62"	19.69"	1	208	1	2150	10.3	6-15P	88
B24050-HS	Hot Spot	31.65"	19.69"	2	208	1	2525	12.1	6-15P	130
B26050-HS	Hot Spot	47.4"	19.69"	2	208	1	2750	13.2	6-15P	175
B240160-HS	Hot Spot	55.43"	19.69"	3	208	1	3125	15.0	L6-20P	185
B36050-HS	Hot Spot	71.18"	19.69"	3	208	1	3350	16.1	L6-20P	200

**LIMITED WARRANTY:** PIPER PRODUCTS warrants to the original purchaser parts and labor for a period of twelve (12) months from the date of purchase. See manufacturer's complete warranty for details.

It is our policy to build equipment which is design certified by companies that have been accredited at the Federal Level by the Occupational Safety and Health Agency (OSHA) and ANSI as a National Recognized Testing Laboratory. These companies include CSA International, Underwriters Laboratories, and the National Sanitation Foundation. However, a continuing program of product improvement makes it necessary to submit new models to the agencies as they are developed. Consequently, all models may not bear the appropriate labels at all times.

We reserve the right to change specifications and product design without notice. Such revisions do not entitle buyer to corresponding changes, improvements, additions or replacements for previously purchased equipment. Information is not for design purposes.

**SPEC R-2**

**PIPER PRODUCTS**  
**BUILT TO LAST**  
[www.piperonline.net](http://www.piperonline.net)

300 S. 84th Avenue  
 Wausau, WI 54401  
 Phone: 800-544-3057  
 Fax: 715-842-3125